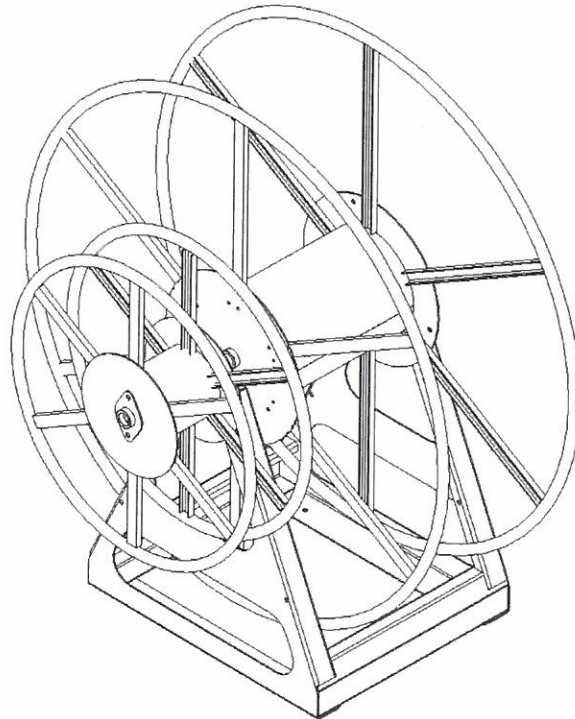


**68-023 ASSY, REEL HP SOLUTION**



5-50

**68-025 ASSY, HOSE REEL HIGH PROFILE**