



3 Gallon Canister Vacuum

Operator and Parts Manual



IMPORTANT SAFETY INSTRUCTIONS

WARNING: READ ALL SAFETY INSTRUCTIONS BEFORE USE

To reduce risk of fire, electric shock, or Injury:

Do not use outdoors or on wet surfaces.

Do not leave vacuum cleaner unattended when plugged in. Turn off the switch and unplug the electrical cord when not in use and before servicing.

Do not allow to be used as a toy. Close attention is necessary when used by or near children.

Use only as described in this manual. The use of accessories which have not been approved or supplied by the manufacturer may be dangerous.

Do not use with damaged cord or plug. If vacuum cleaner is not working as it should, has been dropped, damaged, left outdoors, or dropped into water, return it to a service center before using.

Do not pull or carry by cord, use cord as a handle, close a door on cord, or pull a cord around sharp edges or corners. Do not run vacuum cleaner over cord.

Keep cord away from heated surfaces.

Do not use extension cords or outlets with inadequate current carrying capacity.

Turn off all controls before unplugging.

Do not handle plug or vacuum cleaner with wet hands.

Do not put any objects into openings.

Do not use with any opening blocked, keep free of dust, lint, hair, and anything that may reduce airflow.

Do not pick up anything that is burning or smoking, such as cigarettes, matches or hot ashes.

Do not use without dust bag in place. Use extra care when cleaning on stairs.

Do not use to pick up flammable or combustible liquids such as gasoline, or use in areas where they may be present.

Store your cleaner indoors in a cool, dry Area.

Do not unplug by pulling on cord. To unplug, grasp the plug, NOT THE CORD.

THIS MODEL IS GROUNDED, CONNECT TO A PROPERLY GROUNDED OUTLET ONLY.

GROUNING INSTRUCTIONS

This appliance must be grounded. If it should malfunction or breakdown, grounding provides a path of least resistance for electric current to reduce the risk of shock. This appliance is equipped with a cord having an equipment-grounding conductor and grounding plug. The plug must be inserted into an appropriate outlet that is properly installed and grounded in accordance with all local codes and ordinances.

WARNING - Improper connection of the equipment-grounding conductor can result in a risk of electric shock. Check with a qualified electrician or service person if you are in doubt as to whether the outlet is properly grounded. Do not modify the plug provided with the appliance - if will not fit the outlet, have a proper outlet installed by a qualified electrician.

Note: In Canada, the use of a temporary adapter is not permitted by the Canadian Electrical Code.

OPERATING INSTRUCTIONS

OPERATION

Note: this machine is suitable for voltages from 110-120 AC/60 Hz.

1. Plug the power cord into a receptacle.
2. Turn on the on/off switch. The vacuum motor will start.
3. Clean the carpet without pressing down; the vacuum cleaner will work best if excessive pressure is not applied to the carpet.

BAG REPLACEMENT

1. Take the hose out of the hose connection.
2. Open the vacuum cleaner by releasing the Side latches
3. Remove cloth filter.
4. Remove bag from vacuum inlet.
5. Place the full bag in the trash.
6. Place new bag over vacuum inlet, be sure the bag fully covers the vacuum inlet.
7. Inspect cloth filter. Filter can be washed by hand in cool water, using a mild detergent. Replace filter if it has been washed more Than 3 times or if it has any holes.
8. Install clean or new cloth filter.
9. Replace vacuum head, and secure latches.
10. Vacuum is ready for use.

ROUTINE MAINTENANCE

Authorized personnel should always perform maintenance. The machine must be inspected each year in accordance with locally applicable safety standards.

WARNING: Electricity is dangerous.

Electrical shocks can be fatal. Remove the plug from the plug socket when you carry out maintenance activities on the machine.

Weekly

1. Check the vacuum bag to see if it is full. Replace as necessary.
2. Clean the outer surface of the machine with a dust cloth. A damp cloth may be used with a gentle-action cleanser.

Monthly

1. Check and clean the filter in the inlet opening of the suction motor.

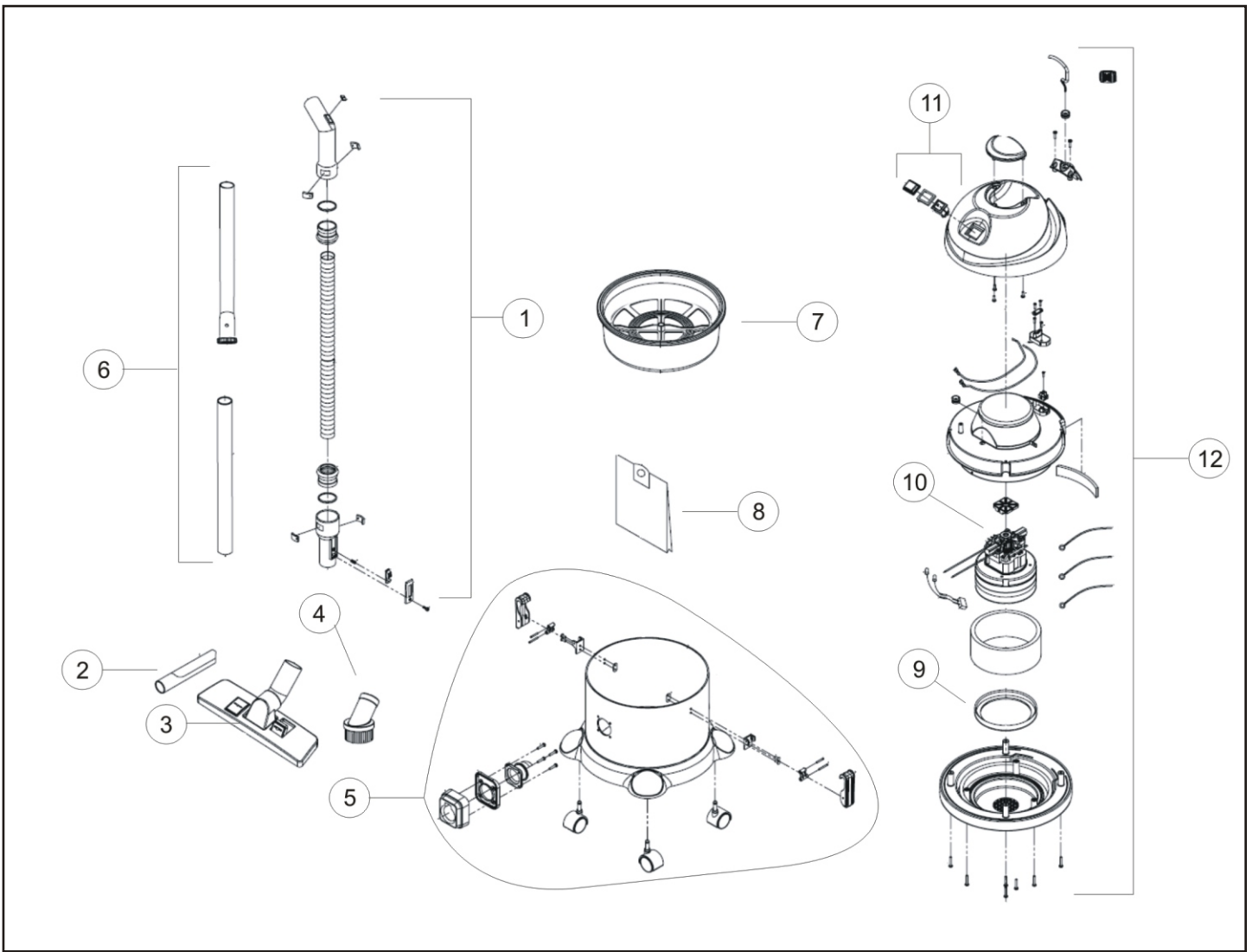
Annually

1. Check carbon brushes in the vacuum motor And the brush motor for war. Replace as

The Limited Warranty

The manufacturer warrants to the original purchases that products manufactured are free from defects, provided such goods are installed, operated and maintained in accordance with written manuals or other instructions for a period 1 year on parts and workmanship, from date of purchase.

PARTS LIST



Ref #	Description	Item #
1	Full Hose Assembly	WD111
2	Crevice Tool	WD110
3	Combinaiton Floor Tool	WD108
4	Dust Brush	WD109
5	Tank Assembly PF10	PF10TA
6	Extension Wand	WD106
7	Filter Assembly	PF10FA
8	Paper Bag 10 pak	PBPF10
9	Motor Gasket PF10	PF10MG
10	Motor PF10	PF10M
11	Power Switch	WD22
12	Top head Assembly	PF10TH