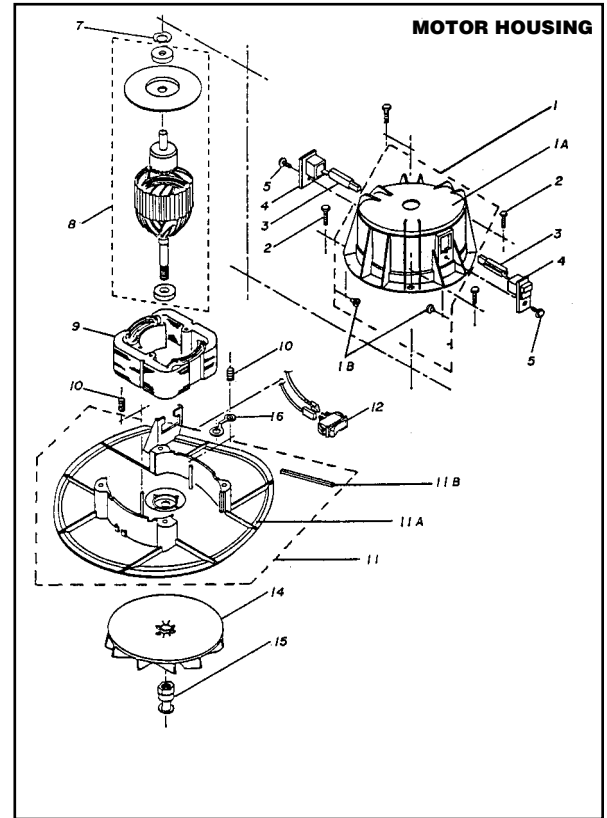
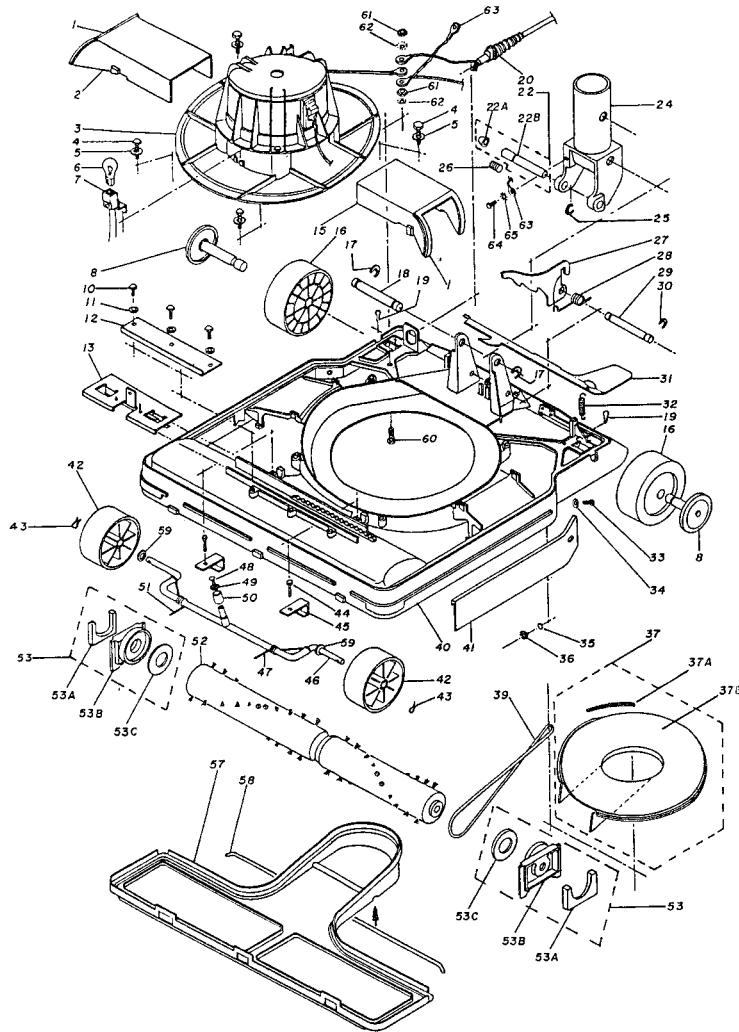


VACUUMS

Parts for PF1886 and PF1887



ref#	order	description	each
2	MV70	right air duct	3.34
8	MV12	rear axle-hub assembly	3.36
15	MV71	left air duct	2.73
16	MV06	rear wheel	2.93
17	MV30	c-washer 5/16	.44
18	MV31	socket bolt	1.79
22	MV46	switch actuator assembly	2.03
24	MV20	tube socket	6.57
27	MV32	handle cam	1.53
28	MV33	cam spring	1.08
29	MV34	cam bolt	1.60
30	MV30	c-washer 5/16	.44
31	MV36	handle release pedal	4.31
32	MV37	spring	.67
37	MV15	fan cover assembly	5.41
39	MV05	belt	.47
40	MV41	12" chassis	41.51
	MV95	16" chassis	50.66
41	MV58	12" bumper	6.07
	MV96	16" bumper	4.16
42	MV38	front wheel	2.37
43	MV39	cotter pin	.42
44	MV74	screw	.44
45	MV75	axle detainer	.98
46	MV60	front axle assembly	5.13
47	MV65	left front axle spring	1.17
48	MV67	rivet	.40
49	MV68	axle washer	.40
50	MV69	axle bushing	.40
51	MV66	right front axle spring	1.23

ref#	order	description	each
52	MV11A	12" brush roll assembly	7.13
	MV73	16" brush roll assembly	15.29
53	MV13	bearing support assembly	1.67
53	MV13A	bearing support assy right side (10/99)	1.64
57	MV23	12" bottom plate	13.82
	MV94	16" bottom plate	22.05
58	MV08	bottom plate retainer	1.92

NOT ILLUSTRATED

	MV40	strain relief	2.13
	MV03	motor pack	62.40
	MV04	rocker switch large	4.41
	MV04A	rocker switch small	4.41
	MV07	hood spring	1.47
	MV16	handle screw	.39
	MV17	handle nut	1.07
	MV19	cord hook	2.28
	MV22	cord retainer	1.07
	MV24	line cord assembly	13.59

MOTOR HOUSING

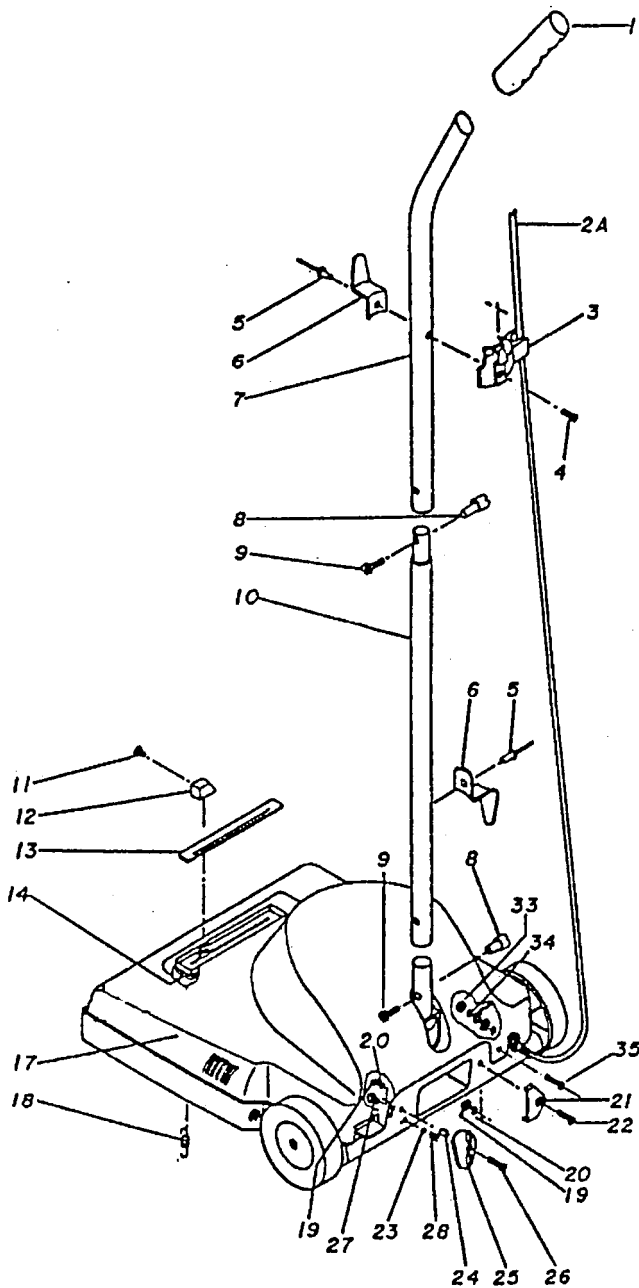
1A	MV64	motor cover	6.54
3	MV63	carbon brush with spring	7.50
4	MV21	brush holder support	.58
8	MV10	armature assembly	30.47
9	MV09	field assembly	21.83
11	MV27	motor base with gasket	11.00
11B	MV49	motor base gasket	1.07
14	MV02	fan	6.55
15	MV01	belt pulley nut	1.82

Call Toll Free 800.880.2913

Visit Our Website at www.powrflite.com

VACUUMS

Parts for PF1886 and PF1887



ref#	order	description	each
1	MV43	Handle Grip	2.34
2A	2A-0455-7	Line Cord Assembly,2W	*
2A	M1377	Line Cord Assembly, 3W	7.78
3	MV22	Cord Retainer	1.07
4	MV44	Screw Type "A" #8 x 1/2	.32
5	MV45	Pop Rivet 5/32 x 1/4	.42
6	MV19	Cord Hook	2.28
7	MV47	Upper Handle	10.69
8	MV17	Handle Nut	1.07
9	MV16	Screw Mach #10-32x	.39
10	MV48	Lower Handle	7.23
11	X8238	Screw Type B# 6x3/8	.13
12	MV50	Wheel Height Knob	1.00
13	17-2486-3	Label Height Adjustment	*
14	37-0136-4	Felt	*
17	MV62	12" Hood	65.11
	MV97	16" Hood	37.80
18	MV07	Hood Spring	1.47
19	02-0037-8	Nut #10-32	*
20	04-0271-9	Star Washer # 10 x .204	*
21	MV51	Bag Support	.92
	MV59	Bag Coupling	10.27
22	MV52	Screw # 1 0-32x5/8	.42
23	MV53	Ball	.42
24	MV54	Bag Knob Spacer	.42
25	MV55	Bag Knob	.97
26	MV56	Screw # 10-32 x 3/4	.42
27	01-0154-3	Screw Type B # 6X5 5/16	*
2a	MV57	Knob Spring	1.30
	MV59	Bag coupling	10.27

Dirt Cup Bag Assembly

	MV76	Bag spring	.77
	MV77	Bag clip	4.96
	MV78	Bag assembly	17.22
	MV79	Cup frame	5.53
	MV80	Screw 8/32 c 3/8	.40
	MV81	Flat washer	.40
	MV82	Hex nut 8/32	.40
	MV83	Clamp	.58
	MV84	Cup gasket	.74
	MV85	Cup assembly	25.10
	MV86	Upper hose seal	4.20
	MV87	Exhaust hose	3.36
	MV88	Cable tie	3.02
	MV89	Dust cup hose	6.30
	MV90	Bag coupling gasket assembly	4.76
	MV91	Bag coupling	3.72
	MV92	Bag coupling gasket	1.30
	MV93	frame with gasket	7.40

* call for pricing and availability