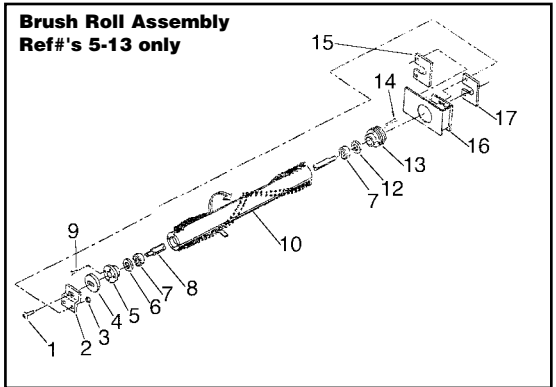
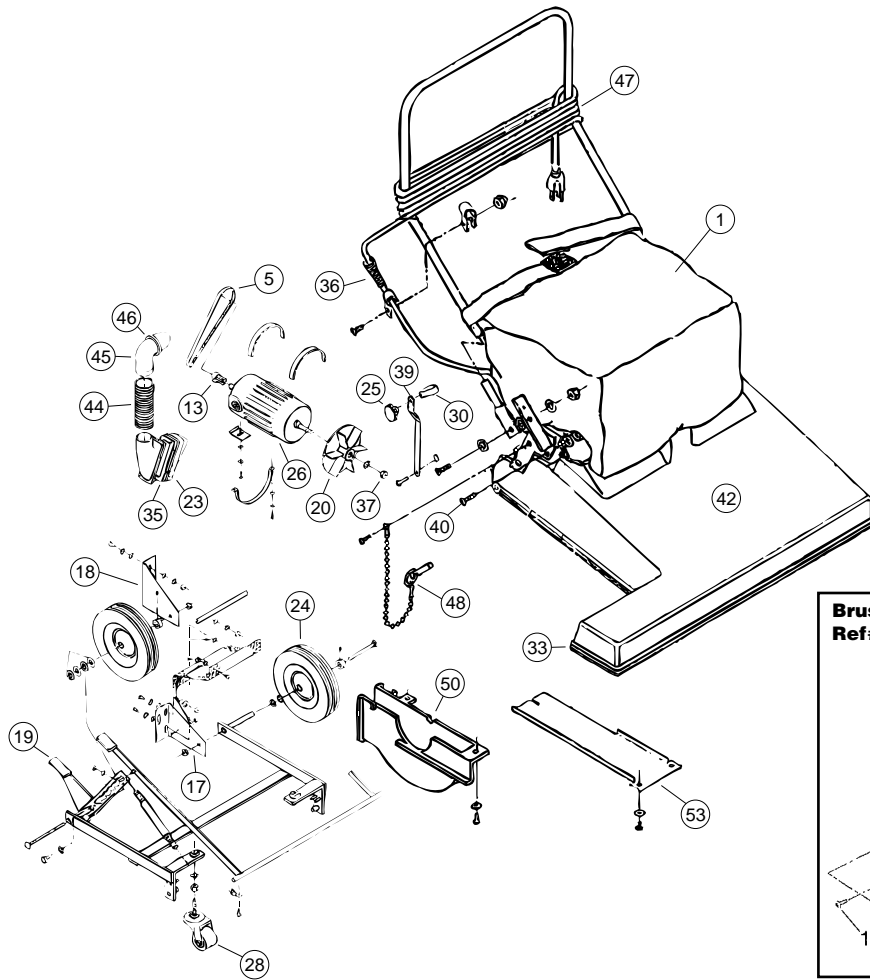


VACUUMS

Parts for PF2004 and PF2008



ref#	order	description	each
1	WA1	debris bag, blue, SP20, 24, 28, PF2004, PF2008	56.27
5	WA5	drive belt	15.11
6	WA6	set screw for pulley WA20	.22
10	WA14	screw for brush roll	.33
13	WA20	pulley for motor	26.07
16	WA23	bracket for brush roll	3.91
17	WA24	bracket mounting plate for wheel left hand	10.96
19	WA26	foot pedal (lower)	18.74
20	WA27	fan	49.40
23	WA35	housing gasket for debris bag	3.91
24	WA36	wheel, rear	12.72
25	WA37	handle adjustment knob	2.59
26	WA38	motor	424.68
28	WA46	caster wheel	26.11
30	WA48	handle clamp	15.45
33	X8030A	bumper guard, blue/white	13.23
35	WA67	bag neck gasket	2.60
36	WA70	cord strain relief	1.32
37	WA71	nut, fan	1.30
39	WA74	handle brace	12.97
40	WA75	handle, new style	54.09
	WA75A	handle, old style	54.09
42	WA77	28" housing	252.89
	WA78	24" housing	241.30
44	WA79	flexible bag bellow	8.49
45	WA80	metal bag elbow	26.06
46	WA81	bag gasket	1.94
47	WA85	16/3 SJT, 60' gray cord	46.88
48	WA86	handle pin and chain for new style handle	7.82
50	WA90	fan cover, 24" machine	66.31
53	WA93	belt guard	25.13

ref#	order	description	each
NOT ILLUSTRATED			
	WA16	switch	24.12
	WA96	intake cover	22.34
	WA97	motor clamp	9.45
	WA45	carbon brush	18.90
	T2095	bearing motor	2.25
	WA65	paper bag, 5-pak, PF2004, PF2008	22.23
	WA73	cord hook	2.60
	WA87	bag clamp w/nut and screw	2.60
	WA94	adaptor housing	32.66
	WA806	28" nozzle baffle strip	7.74
	WA816	24" brush strip	18.04
	WA827	28" brush strip	23.78

Brush Roll Assembly			
	WA9	24" brush roll assembly, complete	170.16
	WA10	28" brush roll assembly, complete	174.24
2	WA25	R.H. wheel mounting bracket	9.91
3	WA15	nut for WA14 screw	.33
4	WA34	thread guard, small, right side	7.18
5	WA22	cap brush end	19.59
7	WA13	bearing for brush roll	11.56
8	WA47	shaft, 20", for brush roll	28.23
	WA60	shaft, 24", for brush roll	30.84
	WA32	shaft, 28", for brush roll	30.81
10	WA2	20" brush roll only	68.32
	WA3	24" brush roll only	75.76
	WA4	28" brush roll only	81.39
13	WA21	pulley and brush end cap for brush roll	21.72
15	WA91	brush roll plate, threaded	6.91
17	WA92	brush roll plate	6.29
16	WA95	thread guard	12.13