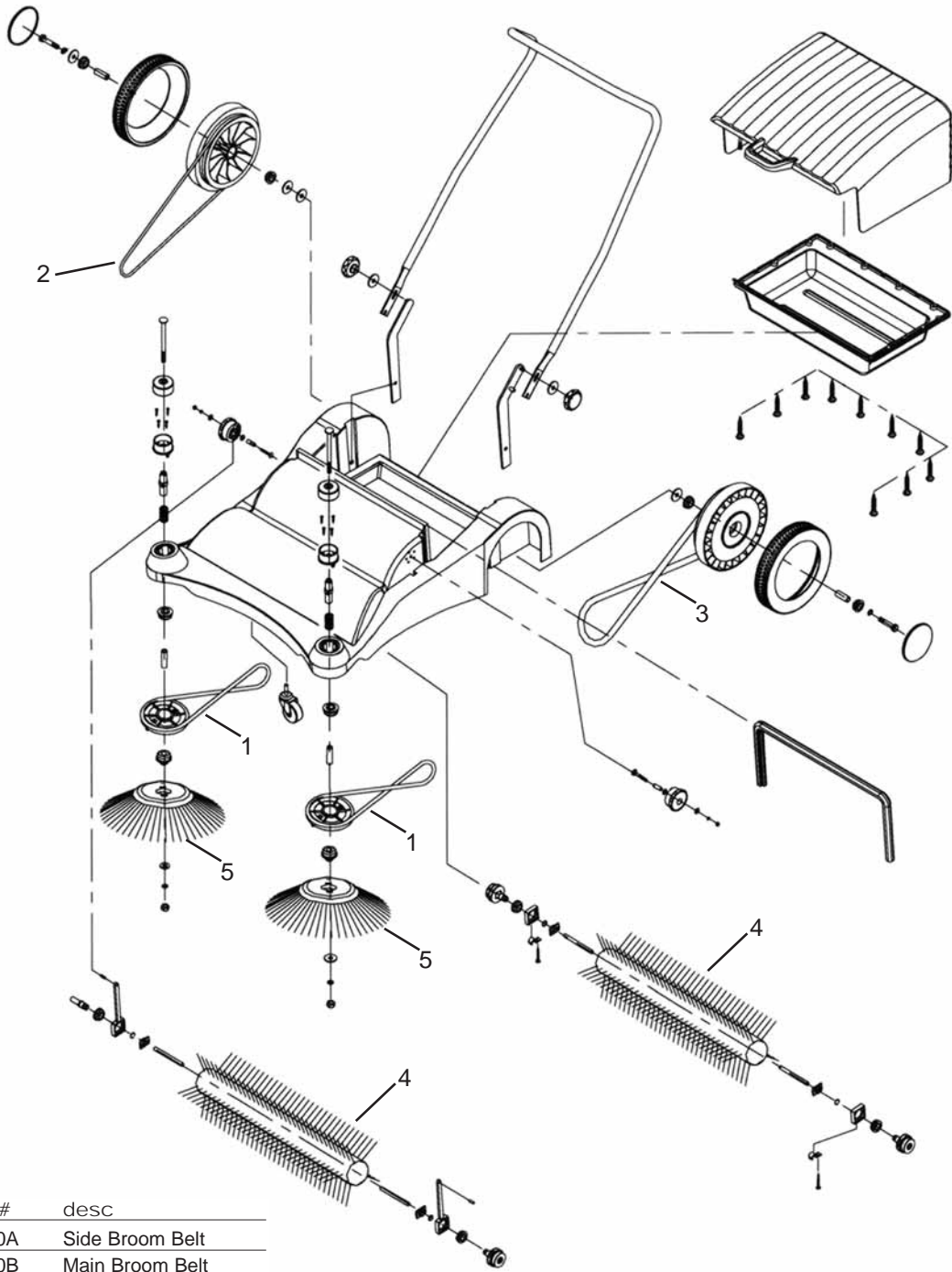


# Replacement Parts



ref#	part #	desc
1	PS320A	Side Broom Belt
2	PS320B	Main Broom Belt
3	PS320C	Drive Belt
4	PS320D	Main Broom
5	PS320E	Side Broom

**Powr-Flite**  
**COMMERCIAL FLOOR CARE EQUIPMENT**

**A Tacony Company**  
 3101 Wichita Court  
 Ft. Worth, TX 76140-1755  
 800-880-2913