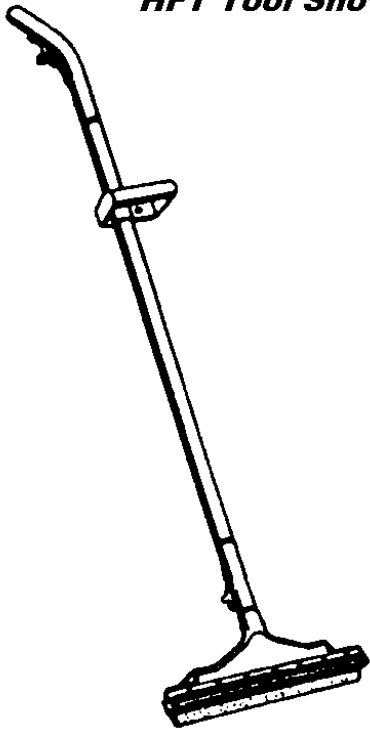


Floor Tools & Accessories

HFT Tool Shown



Models:

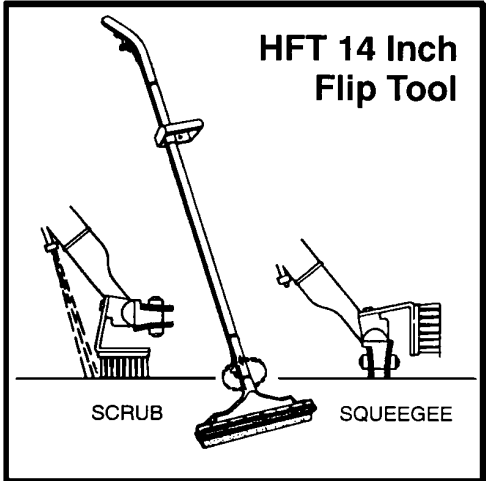
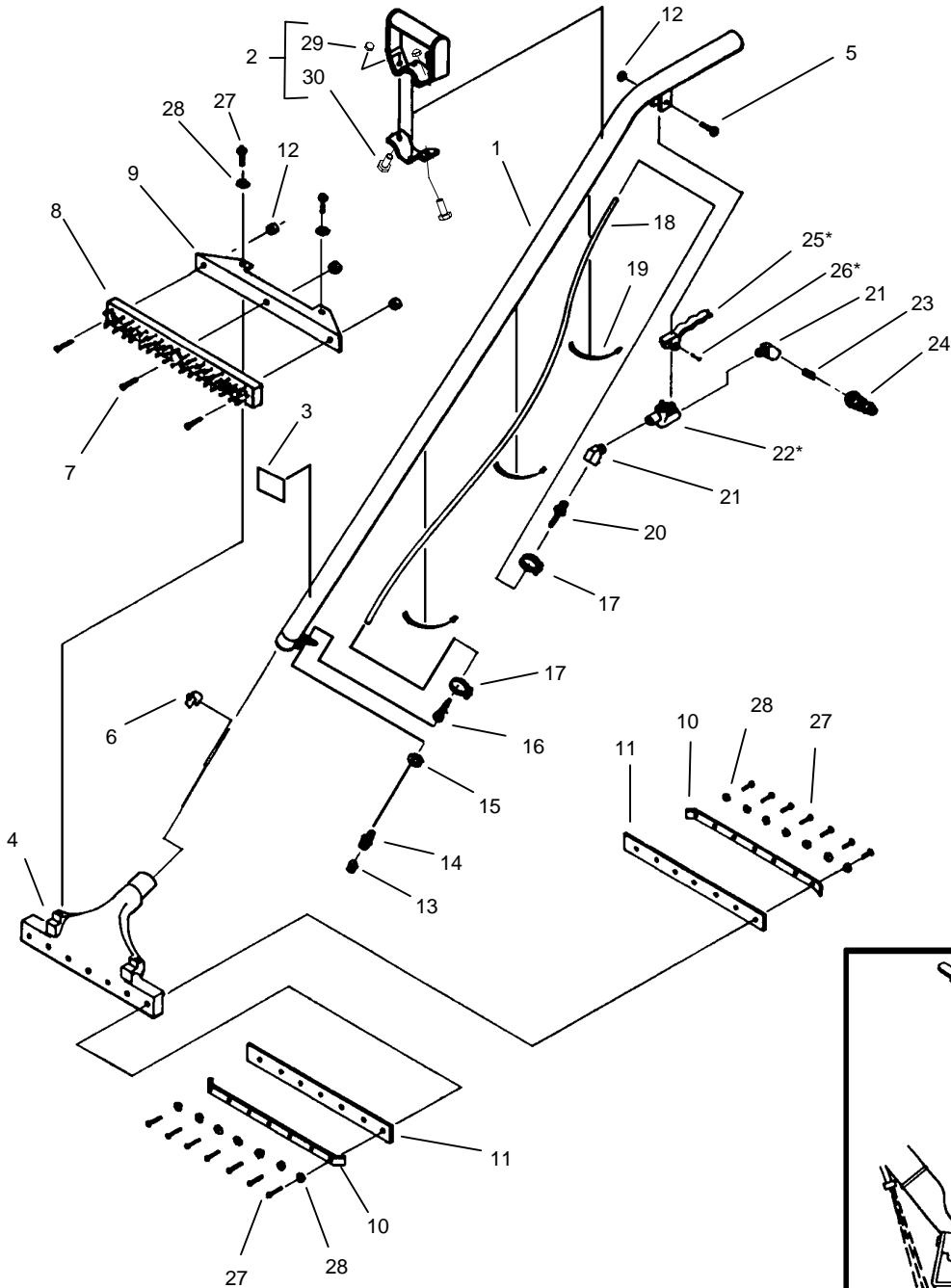
- HFT 14 Inch Flip Tool
- SW Tool
- DHT Tool
- SW-PRO Tool
- FSW Tool
- ESW Tool
- CST Tool
- SPW Accessory Wand
- Pro Heat
- Pro Spray
- Pro Wand
- 89226
- 89227
- HT

CONTENTS:

2. *HFT 14 Inch Flip Tool*
3. *HFT Parts List*
4. *SW Tool*
5. *DHT Tool*
6. *SW-PRO Tool*
7. *SW-PRO Tool Parts List*
8. *FSW, ESW Tool*
9. *CST Tool*
10. *SPW Accessory Wand*
11. *Pro Wand*
12. *PROH2 Heater*
13. *PROH2 Heater Parts List*
14. *Pro Spray Tool*
15. *Pro Spray Tool Parts List*
16. *Wiring Diagrams-PROH2 Heater & Pro Spray*
17. *89226 Deluxe Professional Wand*
18. *89227 Standard Wand*
19. *HT*
20. *Spray Notes*

HH

HFT 14 INCH FLIP TOOL



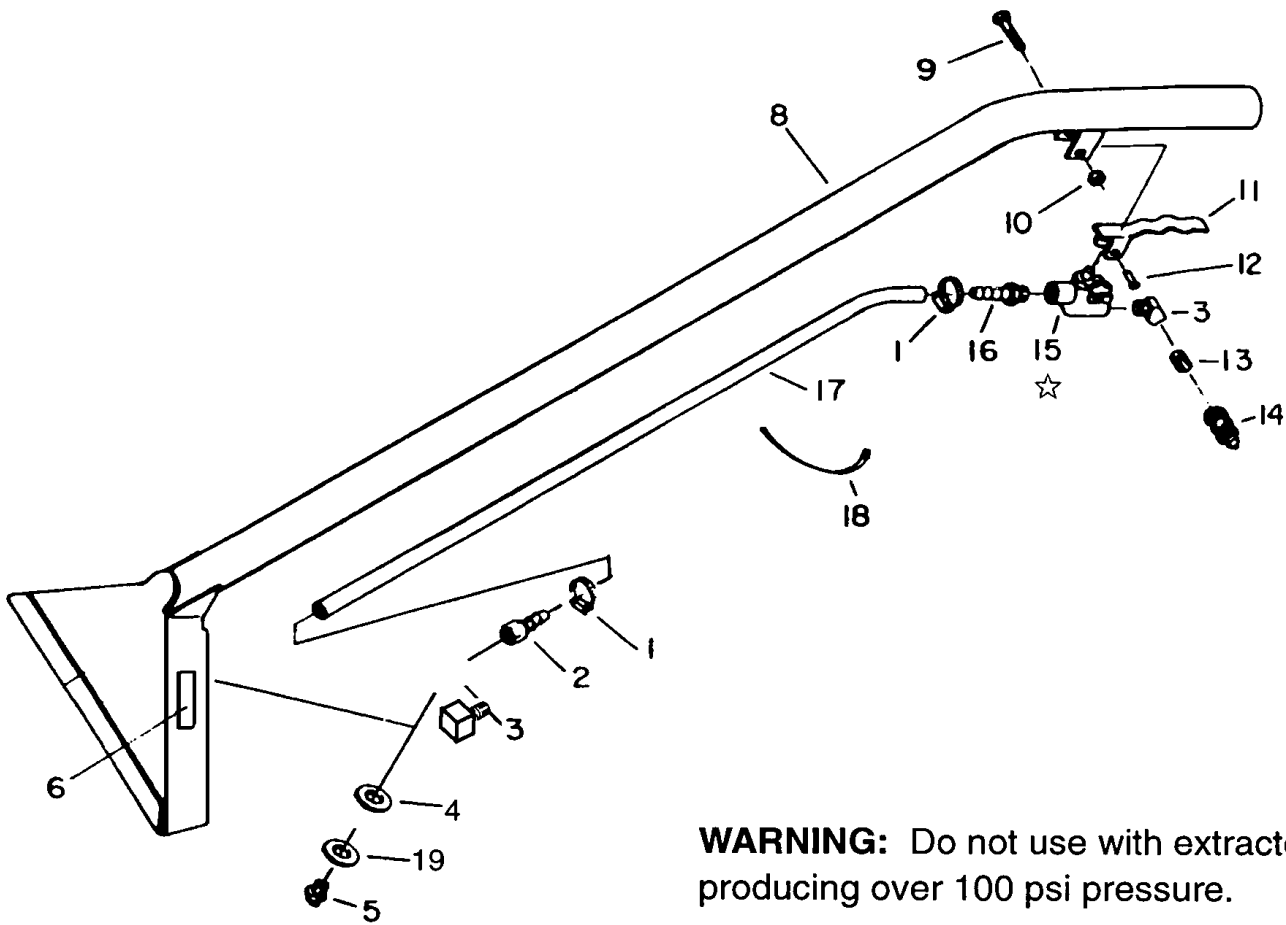
* - ITEM 25 AND 26 ACCOMPANY ITEM 22.

HFT 14 INCH FLIP TOOL

REF	PART NO.	DESCRIPTION	SERIAL NO. FROM	NOTES:
1	38100	Handle		
2	38109	Handle, Grip Assembly		
3	50776	Label, For Safety		
4	85010	Shoe, Vac		
5	70202	Scr, 10-32 x 1.25 HHMS pltd		
6	27224	Clip, Spring		
7	70076	Scr, 10-32 x 1 FHMS		
8	12021	Brush		
9	14678	Brkt, Brush Mounting		
10	67086	Retainer, Squeegee		
11	14703	Blade, Urethane Squeegee		
12	57030	Nut, 10-32 Lock pltd		
13	44060	Jet, 8002 mini-quick		
14	44052	Jet Body, mini-quick		
15	87086	Washer, M10 x 30 pltd		
16	40064	Hosebarb, 1/8" FPT x 1/4"		
17	20016	Clamp, 1/4" Dia. Hose		
18	39269	Hose, 1/4"		
19	27049	Cable Tie, 7"		
20	40009	Hosebarb, 1/4 MPT x 1/4 H		
21	31021	Elbow, 45° 1/4 MPT x FPT St		
22	84018	Valve, Solution		
23	56014	Nipple, Close 1/4 MPT		
24	56012	Quick Disconnect 1/4 FPT		
25	51017	Lever, SW Valve		
26	66023	Pin		
27	70088	Scr, 10-32 x 1/2 PHMS SS		
28	87016	Washer, #10 Star		
29	57229	Nut, 1/4-20 Acorn SS		See # 2
30	70011	Scr, 1/4-20 x 5/8 HHMS		See # 2

WARNING: Do not use with extractors producing over 100 psi pressure.

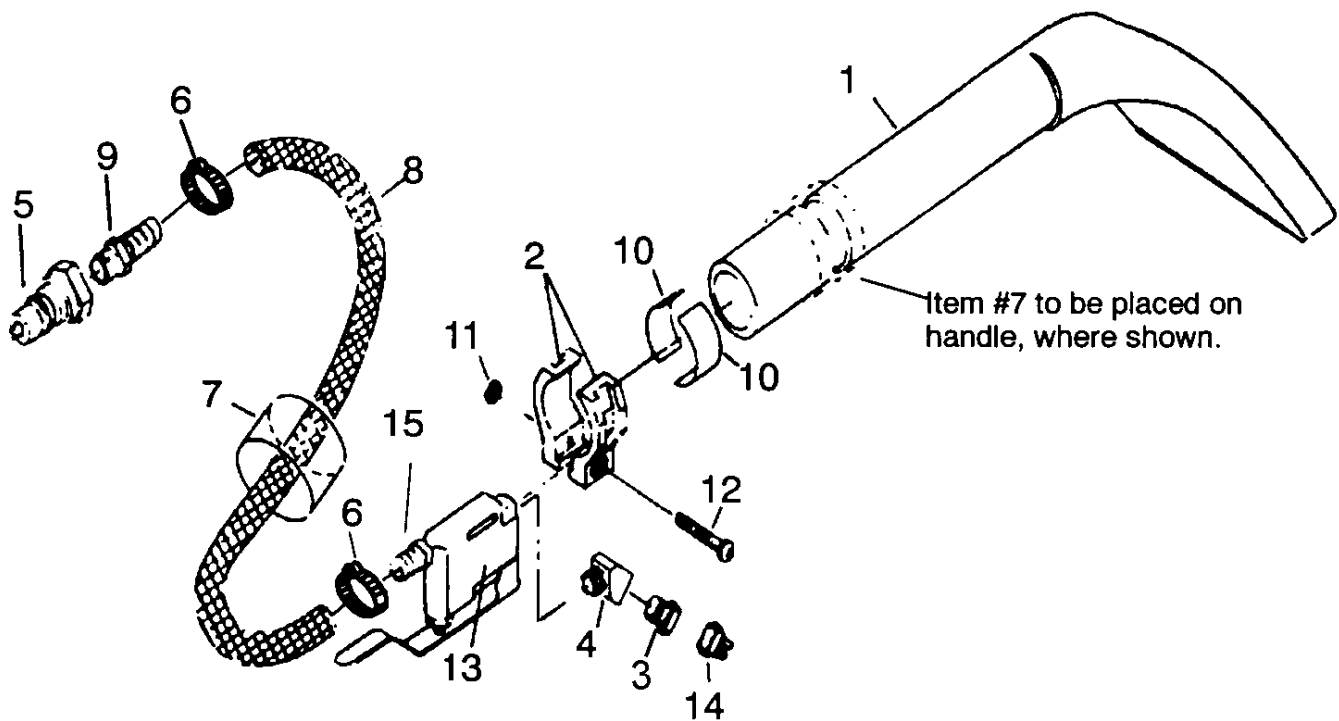
SW TOOL



WARNING: Do not use with extractors producing over 100 psi pressure.

☆ - Item 11 and 12 accompany Item 15.

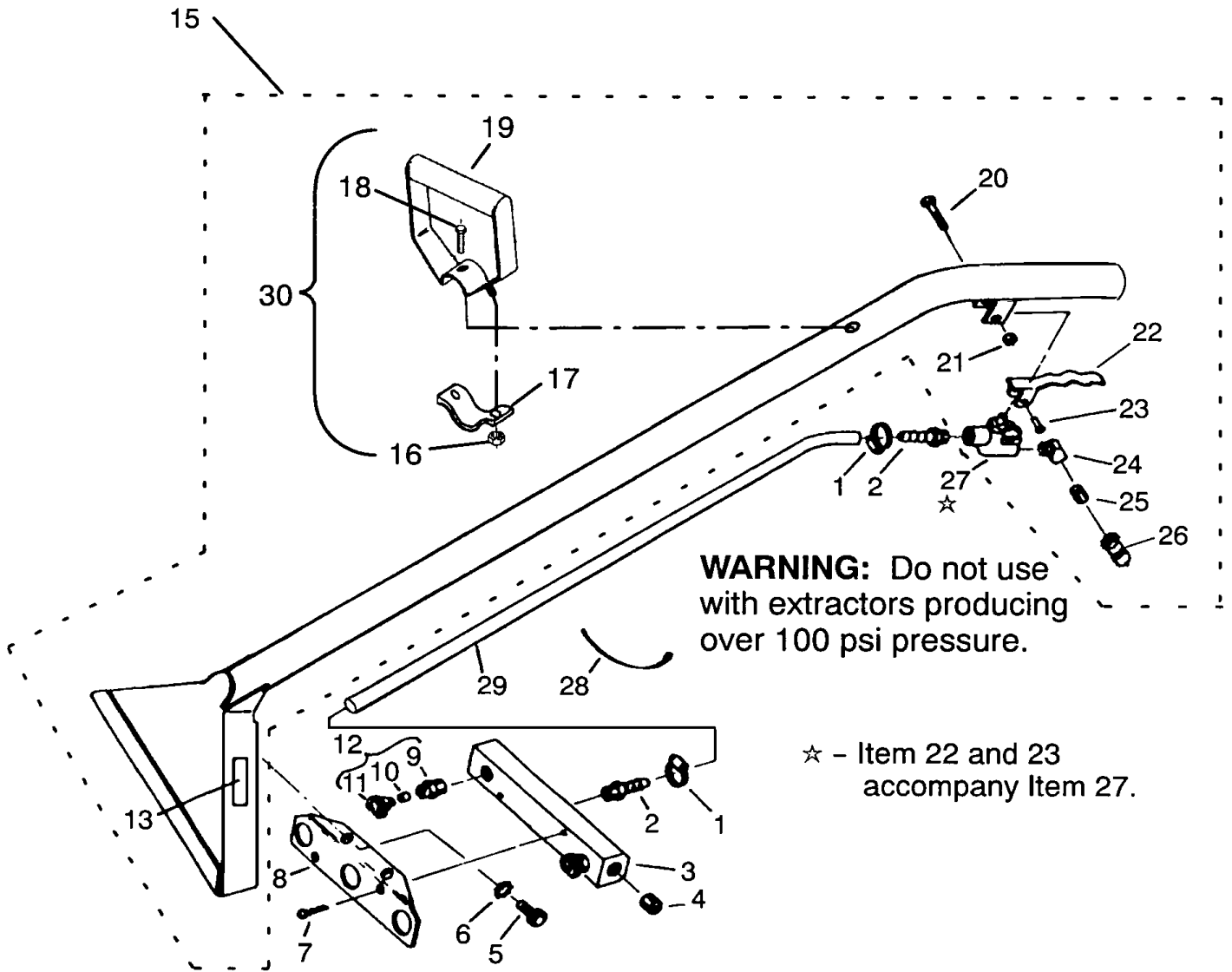
REF	PART NO.	DESCRIPTION	SERIAL NO. FROM	NOTES:
1	20016	Clamp, ¼" ID Hose		
2	40012	Hosebarb, ¼ FPT x ¼		
3	31021	Elbow, ¼ NPT Street 45°		
4	87015	Washer, 9/16 Flat		
5	44049	Jet, H ¼ 11004 Brass VV		
6	50776	Label, For Safety		
7	OPEN			
8	38106	Handle & Vac Shoe, SW		
9	70202	Scr, 10-32 x 1.25 HHMS		
10	57030	Nut, 10-32 Nylock		
11	51017	Lever, SW Valve		
12	66023	Pin, Valve Lever		
13	56014	Nipple, ¼ Close		
14	56012	Nipple, ¼ FPT Quick Disconnect		
15	84018	Valve, Solution		
16	40009	Hosebarb, ¼ MPT x ¼		
17	39418	Hose, ¼ x 50.5" 250 psi blue		
18	27049	Cable Tie, 7"		
19	87039	Washer, ½ ID x 1.12 neoprene		



WARNING: Do not use with extractors producing over 100 psi pressure.

REF	PART NO.	DESCRIPTION	SERIAL NO. FROM	NOTES:
1	41105	Housing, DHT Main		
2	20053	Clamp, Valve		
3	44052	Jet Body, mini-quick w/ seal		
4	31028	Elbow, 45° 1/8 M x 1/8 F		
5	56012	Nipple, 1/4 FPT Quick Disconnect		
6	20016	Clamp, 1/4 ID Hose		
7	99645	Heat Shrink, 2.0 Dia. Black		
8	39265	Hose, 1/4 Nylobraid		
9	40009	Hosebarb, 1/4 M x 1/4 HB		
10	99870	Foam Tape, 1/32T x 1/2 2SDA FT		
11	57014	Nut, 10-32 Hex		
12	70253	Scr, 10-32 x 1.25 PHMS		
13	84054	Valve, Solution DHT		
14	44060	Jet, 8002 mini-quick replacement		
15	40011	Hosebarb, 1/8 MPT x 1/4		

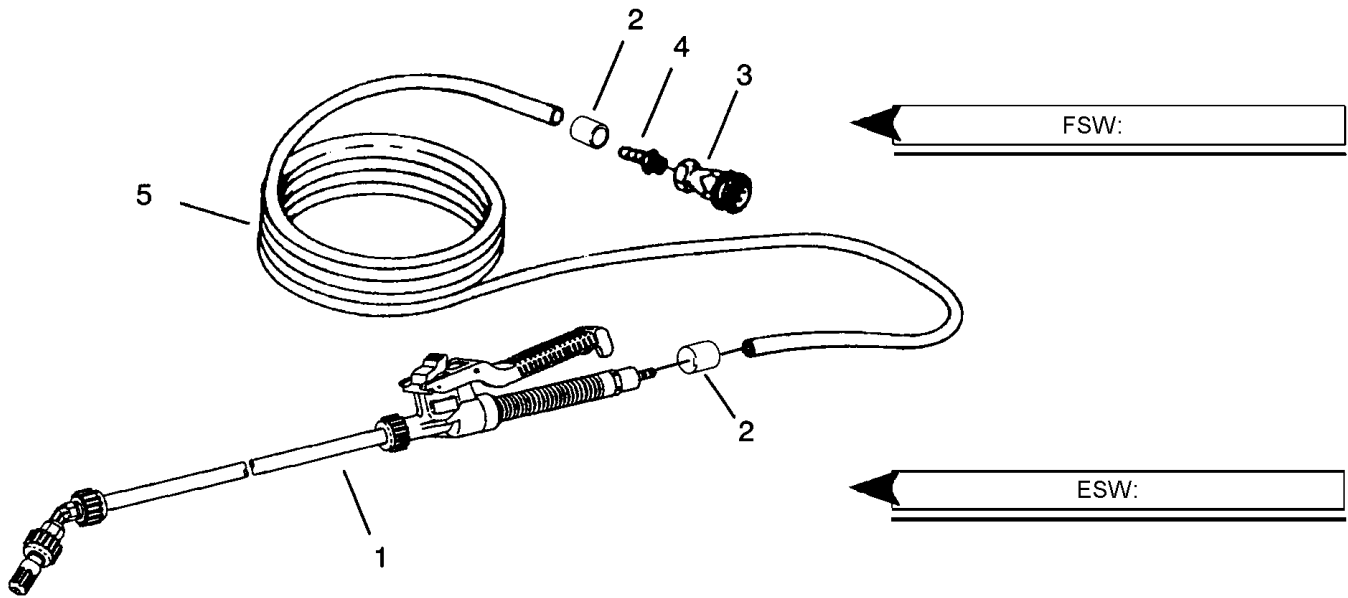
SW-PRO TOOL



SW-PRO TOOL Parts List

REF	PART NO.	DESCRIPTION	SERIAL NO. FROM	NOTES:
1	20016	Clamp, ¼ ID Hose		
2	40009	Hosebarb, ¼ MPT x ¼		
3	54109	Manifold, SW-PRO ABS		
4	66095	Plug, 1/8 NPT Slotted		
5	70020	Scr, ¼-20 x ½ HHMS		
6	87025	Washer, ¼ Star		
7	70114	Scr, #10 x ¾ polyfast		
8	14452	Brkt, SW-PRO Manifold		
9	44052	Jet Body, mini-quick		
10	44051	Jet Seal, mini-quick		
11	44061	Jet, 11003 mini-quick		
12	44055	Jet Asm, 11003 mini-quick		
13	50776	Label, For Safety		
14	OPEN			
15	89076	Wand, SW-PRO		
16	57105	Nut, ¼-20 Hex w/ Star		See # 30
17	20061	Clamp, Handle Grip		See # 30
18	70011	Scr, ¼-20 x 5/8 HHMS		See # 30
19	38288	Grip, Handle		See # 30
20	70202	Scr, 10-32 x 1.25 HHMS		
21	57030	Nut, 10-32 Nylock		
22	51017	Lever, SW Valve		
23	66023	Pin, Valve Lever		
24	31021	Elbow, 45° ¼ NPT Street		
25	56014	Nipple, ¼ Close		
26	56012	Nipple, ¼ FPT Quick Disconnect		
27	84018	Valve, Solution		
28	27049	Cable Tie, 7"		
29	39287	Hose, ¼ ID, 250psi blue		
30	38109	Handle, Grip Assembly		

FSW, ESW TOOL



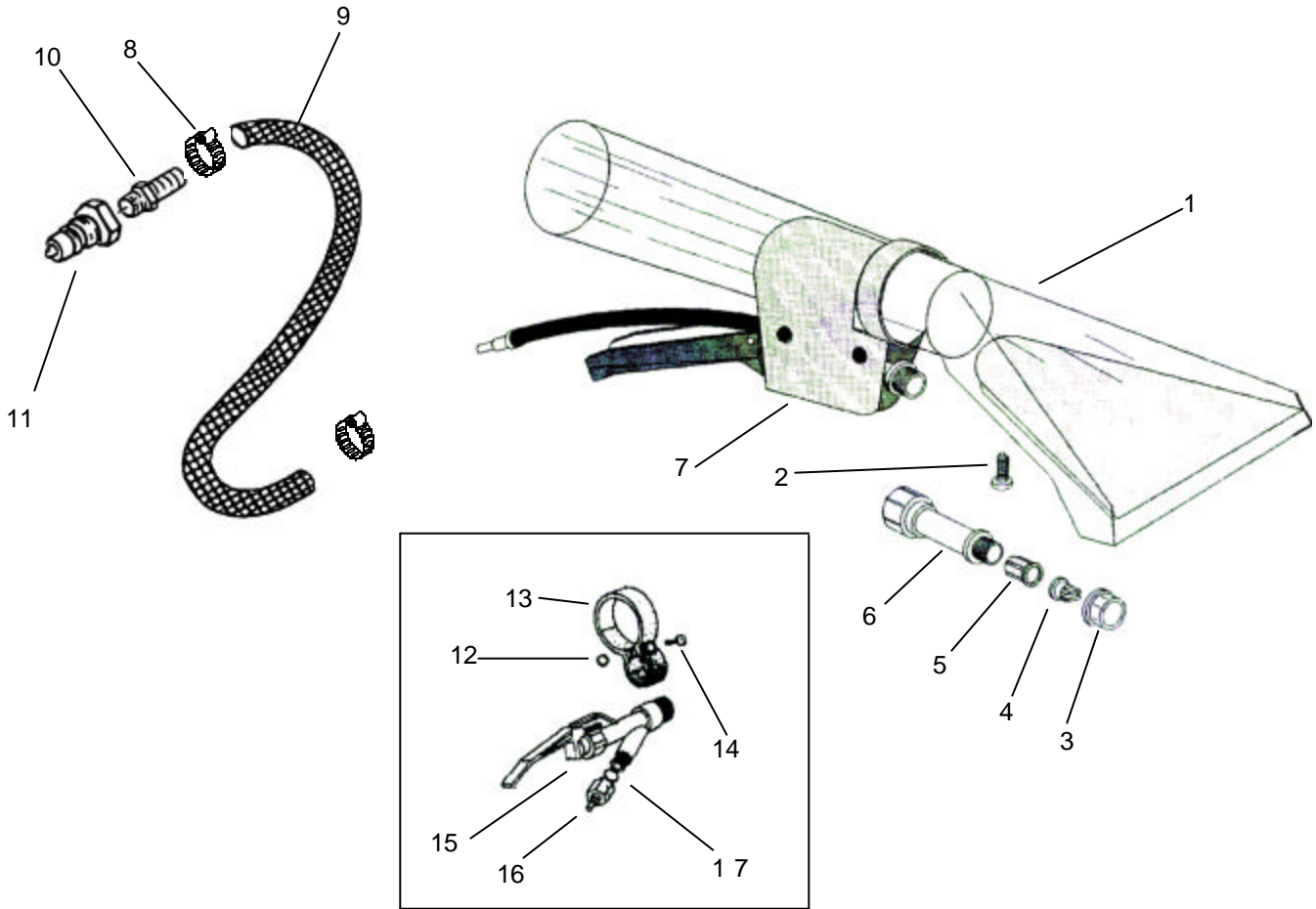
WARNING: Do not use with extractors producing over 100 psi pressure.

FSW:

REF	PART NO.	DESCRIPTION	SERIAL NO. FROM	NOTES:
1	89088	Wand, Triggerjet		
2	20016	Clamp, 1/4 ID Hose		
3	22015	Coupler, 1/4 Quick Disconnect		
4	40009	Hosebarb, 1/4 MPT x 1/4		
5	39302	Hose, 1/4" Blue x 25'		

ESW:

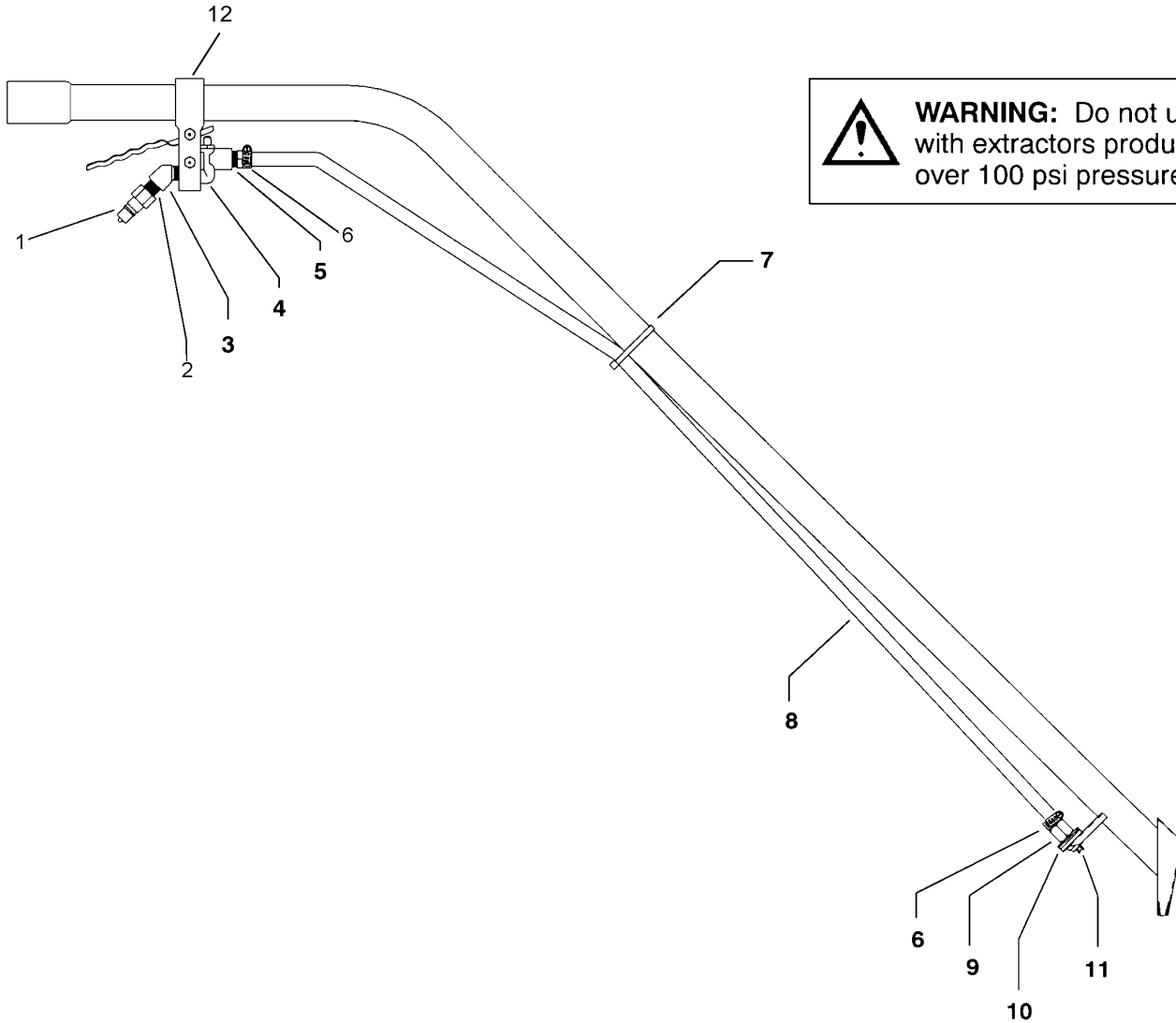
REF	PART NO.	DESCRIPTION	SERIAL NO. FROM	NOTES:
1	89088	Wand, Triggerjet		
2	20016	Clamp, 1/4 ID Hose		
3	22015	Coupler, 1/4 Quick Disconnect		
4	40009	Hosebarb, 1/4 MPT x 1/4		
5	39018	Hose, 1/4 " Blue x 4'		



PRIOR TO JULY 2000

REF	PART NO.	DESCRIPTION	SERIAL NO. FROM	NOTES:
1	41339	Housing, Handtool CST		
2	70629	Scr, Handtool		
3	78398	Tip, Retainer		
4	44069	Jet, 8003VP		
5	34333	Filter, Spray		
6	04083	Adapter, Handtool Valve		
7	38297	Handle, (Enclosed) Spray CST		
8	20016	Clamp, ¼ ID Hose		
9	39265	Hose, ¼ Nylobraid x 8"		
10	40009	Hosebarb, ¼ MPT x ¼ HB		
11	56012	Nipple, ¼ FPT Quick Disconnect		
12	57259	Nut, Collar Handtool		
13	27791	Collar, Handtool CST		
14	70630	Scr, Collar Handtool		
15	38282	Handle, Spray		
16	40074	Hosebarb, ¼ FPT		
17	59036	O-Ring, Hosebarb		

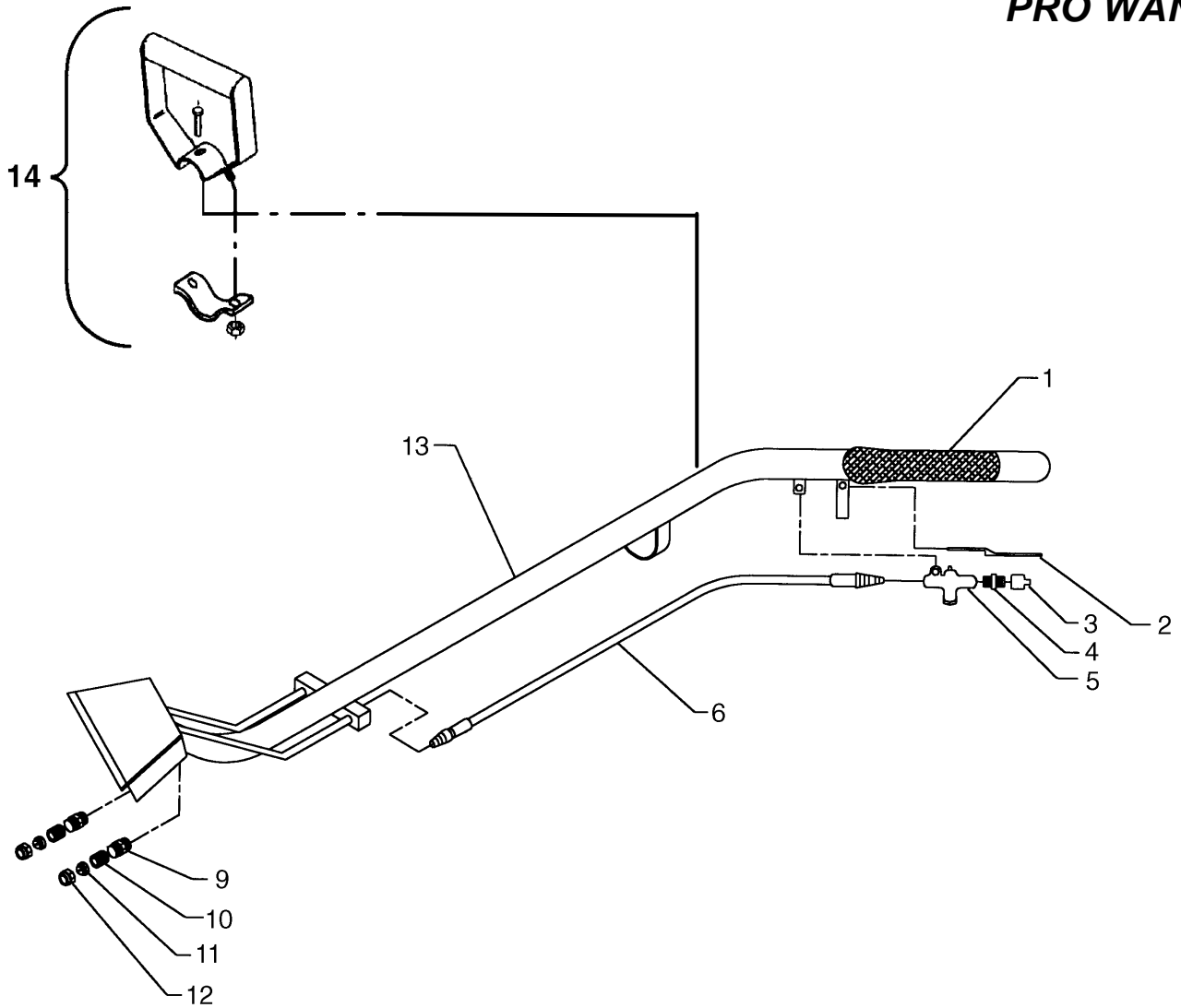
SPW Accessory Wand



WARNING: Do not use with extractors producing over 100 psi pressure.

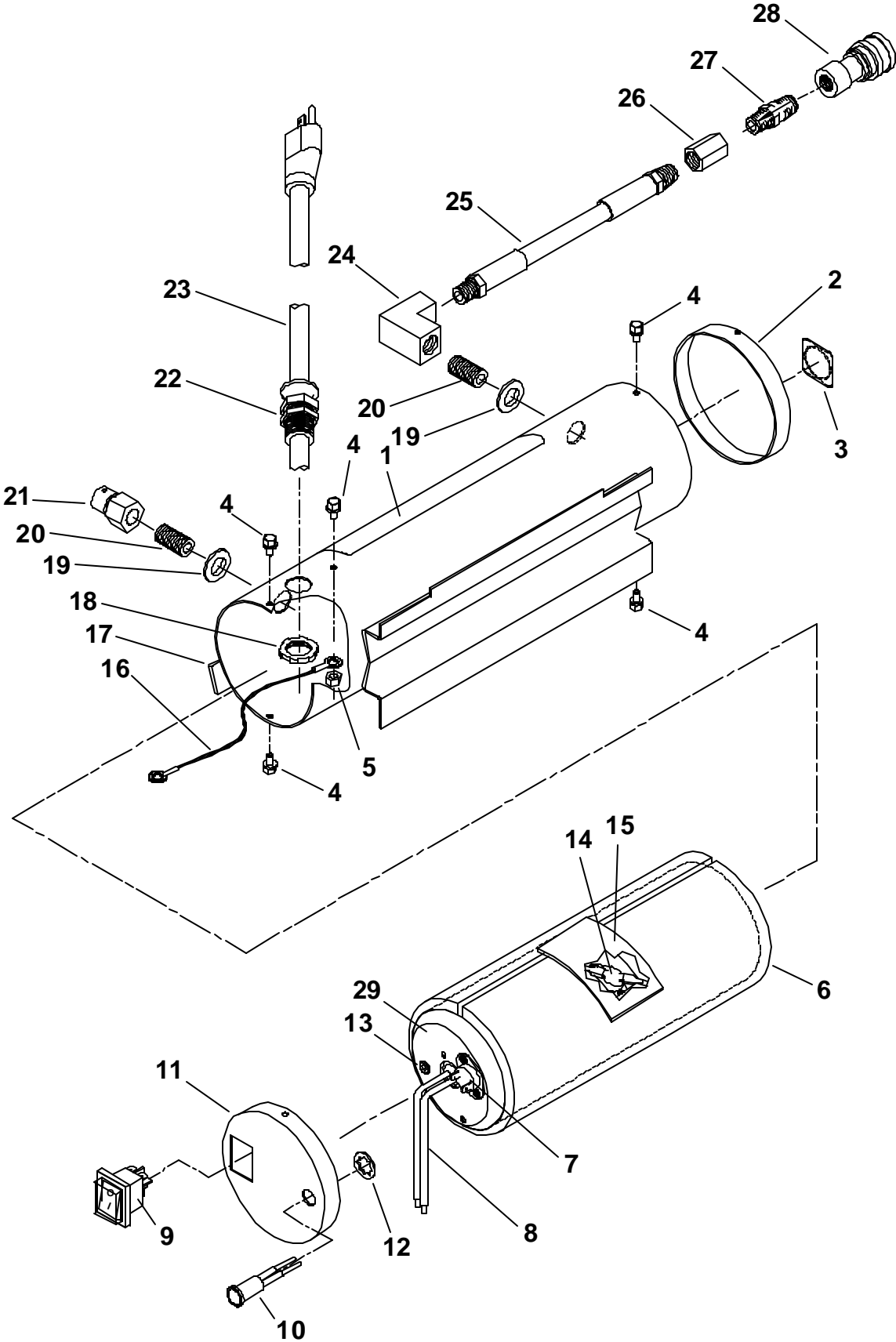
REF	PART NO.	DESCRIPTION	SERIAL NO. FROM	NOTES:
1	56012	Quick Disconnect, ¼ FPT		
2	56014	Nipple, ¼ MPT Close		
3	31021	Elbow, 45° ¼ MPT x FPT St		
4	84018	Valve, Solution		
5	40009	Hosebarb, ¼ MPT x ¼		
6	20016	Clamp, ¼" Dia. Hose		
7	27051	Cable Tie, 10.75"		
8	99225	Hose, ¼ ID, 250psi blue x 3.7'		
9	40012	Hosebarb, ¼ FPT x ¼		
10	87015	Washer, 9/16 Flat		
11	44049	Jet, H ¼, 11004 brass		
12	140440	Brkt, 1 1/4" valve mount SPW		

PRO WAND



REF	PART NO.	QTY	DESCRIPTION	SERIAL NO. FROM	NOTES:
	5537021	1	KIT, VALVE STEM		FOR REF 5
1	5538039	1	WAND GRIP VINYL		
2	55370142	1	TRIGGER, 5"		
3	56012	1	NIPPLE, 1/4 M QD		
4	56014	1	NIPPLE, 1/4		
5	5537012	1	VALVE, SOLUTION		
6	5515058	1	HOSE ASSEMBLY		
7	OPEN				
8	OPEN				
9	44010	2	JET BODY, 1/4 MALE, BRASS		
10	5516015	2	JET CHECK, VALVE		
11	5516022	2	JET TIP, 110015, SS		
12	5516012	2	JET CAP, BRASS		
13	5538102	1	HANDLE VAC SHOE, DUAL JET		
14	5538008	1	GRIP ASM		

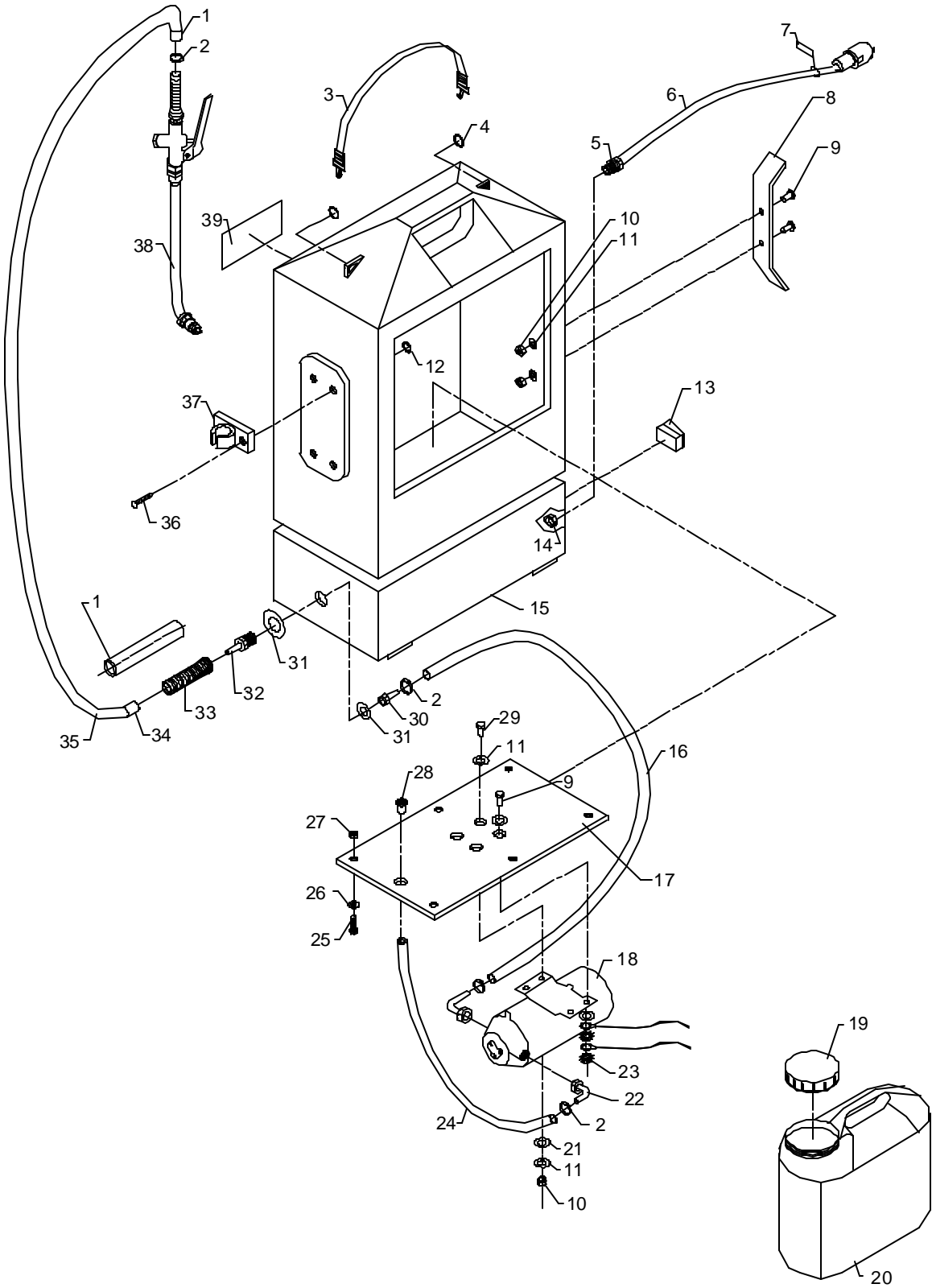
PROH2 HEATER



PROH2 HEATER Parts List

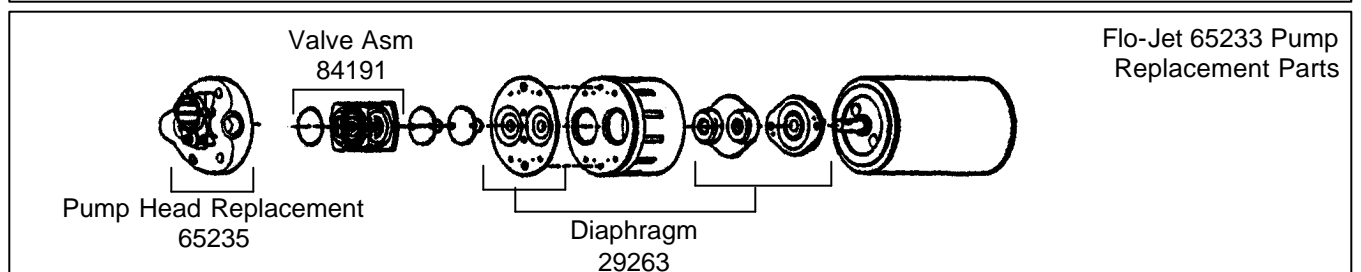
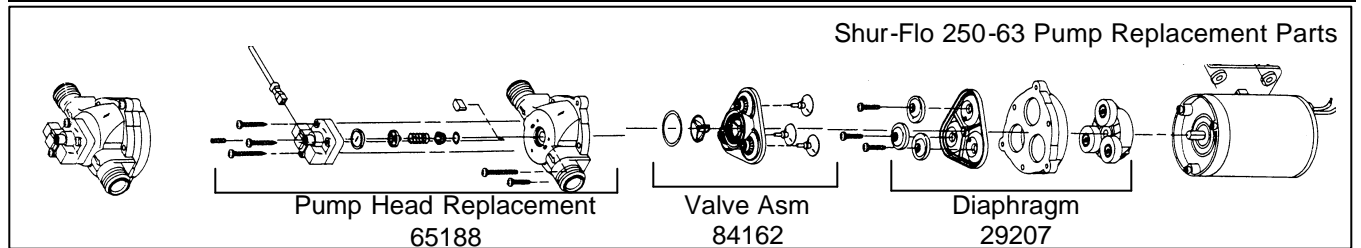
REF	PART NO.	QTY	DESCRIPTION	SERIAL NO. FROM	NOTES:
1	48-941396	1	LABEL, HEATER WARNING PROCHEM		
2	41504	1	HOUSING, CAP OUTLET END NU		
3	50776	1	LABEL, FOR SAFETY		
4	70351	5	SCR, 10-32 X 3/8 HHTR W/STAR		
5	57104	1	NUT, 10-32 W/STAR WASHER PLTD		
6	41513	1	INSULATION, HEATER		
7	130-14C	1	THERMOSTAT RESET 302		
8	130-14	1	HEATER ELEMENT 110V		
9	32-900195	1	SWITCH, DPST, LGHTD RCKR GRN		
10	51041	1	LIGHT, 115V NEON INDICATOR		
11	41503	1	HOUSING, CAP SWITCH END NU		
12	22046	1	CLIP, NEON LAMP		
13	66095	1	PLUG, 1/8 MPT HEX BRASS		
14	130-14I	1	THERMOSTAT W/SPADE LEADS		
15	41514	1	INSULATION PAPER		
16	88623	1	WIRE, 4" G/Y/14 76010 X 76010		
17	41502	1	HOUSING ASM, HEATER PORT NU		
18	57040	1	NUT, 1/2 NPT CONDUIT		
19	390-09A	2	WASHER, 9/16 S/S USS-THICK		
20	56014	2	NIPPLE, 1/4 CLOSE		
21	56012	1	NIPPLE 1/4 FPT QD		
22	73505	1	STRAIN RELIEF, 1/2 NPT TRUMPET		
23	060-04	1	CORD ASM, 12/ SJT X 25' BLK		
24	31017	1	ELBOW, 1/4 FPT X 1/4 FPT		
25	39606	1	HOSE, HP 48.0 1/4 MPT X 1/4 FPT		
26	22014	1	COUPLER, 1/4F HEX		
27	84144	1	VALVE, CHECK 0-800 PSI, 1/4 MPT		
28	22015	1	COUPLER, 1/4 QD		
29	51501	1	HEATER CART, CASE WELDED		

PRO-SPRAY

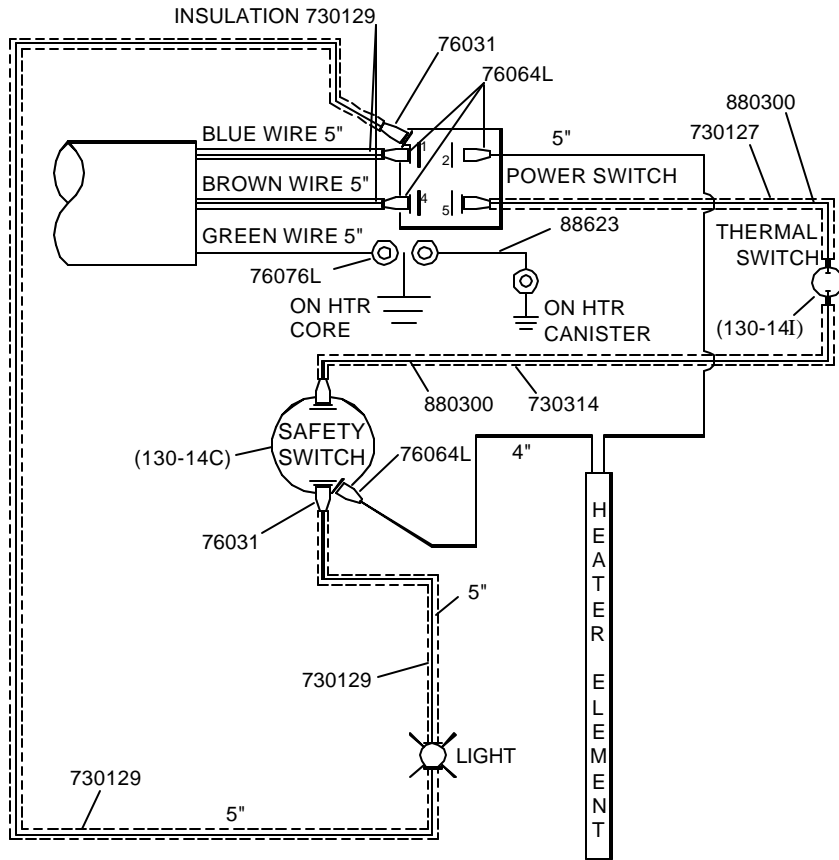


PRO SPRAY TOOL Parts List

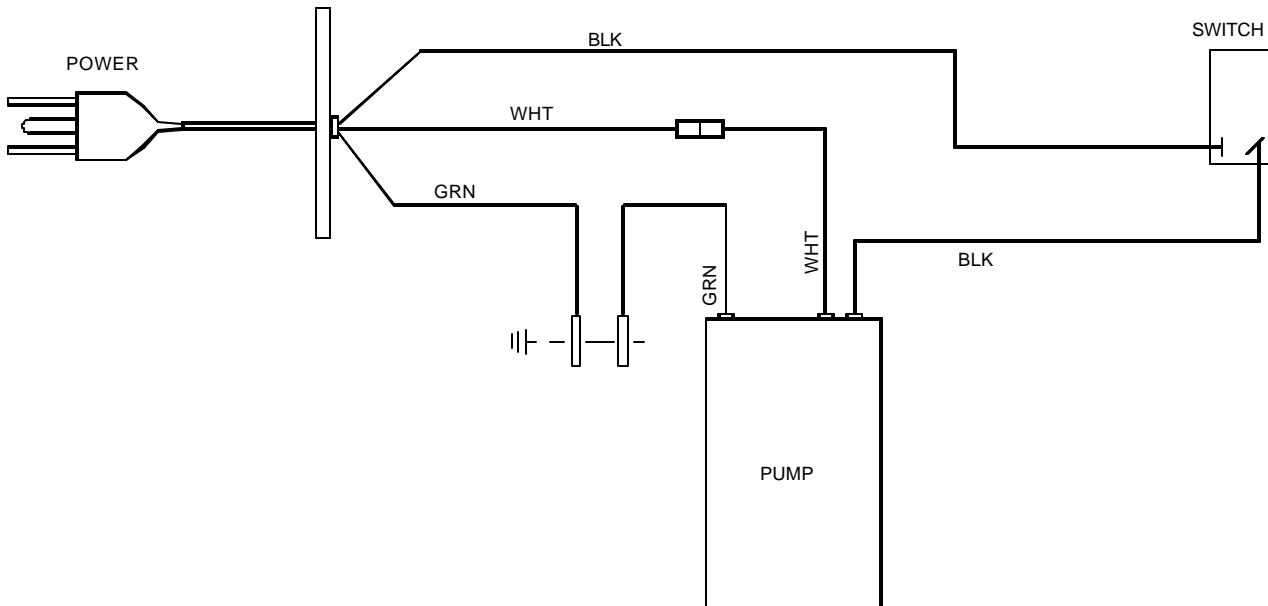
REF	PART NO.	QTY	DESCRIPTION	SERIAL NO. FROM	NOTES:
1	99667	5"	HEAT SHRINK, 3/4 ID UL/CSA		
2	20016	4	CLAMP, 1/4 ID HOSE		
3	730044	1	STRAP ASM 1" W BLACK W/CLIPS		
4	340-04	2	KEY RING 1"		
5	73195	5	STRAIN RELIEF, 1/2 NPT (.48ID)		
6	060-03	1	CORD 15' BLK 16/3 SJTW/A PLUG		
7	170-41	1	LABEL CIRCUIT INTERRUPTER		
8	065-03A	1	CORD WRAP FOR TURBO X		
9	70018	3	SCR, 1/4-20 X 1 HHCS SS		
10	57245	5	NUT, 1/4-20 HEX NYLOCK SS		
11	87013	10	WASHER, 1/4 ID X 5/8 OD SS		
12	87095	4	WASHER, #10 FLAT PLTD		
13	72142	1	SWITCH, SPST 15A EURO ROCKER		
14	57040	1	NUT, 1/2 NPT CONDUIT		
15	41404R	1	HOUSING, TURBO II DK BLU (MLD)		
16	39508	1	HOSE, 1/4 NYLOBRAID X 15"		
17	065-05	1	PLATE, PUMP COVER TURBO II		
18	65233	1	PUMP, 120V LOW PRESSURE		WAS 250-63 - Shurflo
19	240-18A	1	CAP 2 1/2 GAL. JUG		
20	240-18	1	TURBO II JUG		
21	110-22	3	GROMMET 6 GAL. PORT		
22	250-12	2	HOSEBARB, 3/8 MPT X 1/4 90D		
23	57105	2	NUT, 1/4-20 HEX W/ STAR WASHER		
24	39585	1	HOSE, 1/4 URETHANE X 63"		
25	70424	6	TUBE, BELLCRANK		
26	87017	6	WASHER, #8 FLAT		
27	57026	6	NUT, 8-32 HEX NYLOCK SS		
28	290-10	1	STRAINER 1/4 BARB S/S		
29	70015	4	SCR, 1/4-20 X 3/4 HHCS SS NP		
30	40012	1	HOSEBARB, 1/4FPT X 1/4		
31	87015	2	WASHER, 9/16 ID X 1.06 OD SS		
32	40009	1	HOSEBARB, 1/4 MPT X 1/4 DL		
33	150-19	1	HOSE SPRING GUARD 1/4		
34	34304	1	FERRULE, .50 ID X 1.0 BRASS		
35	39584	1	HOSE, 1/4 NYLOBRAID X 8'		
36	280-01	4	RIVET AL. 1/8 X 1/2		
37	110-13	2	TURBO WAND HOLDER		
38	381-12	1	WAND TURBO PVC		
39	500009	1	LABEL, WARNING		



WIRING DIAGRAMS-PROH2 HEATER and PRO SPRAY

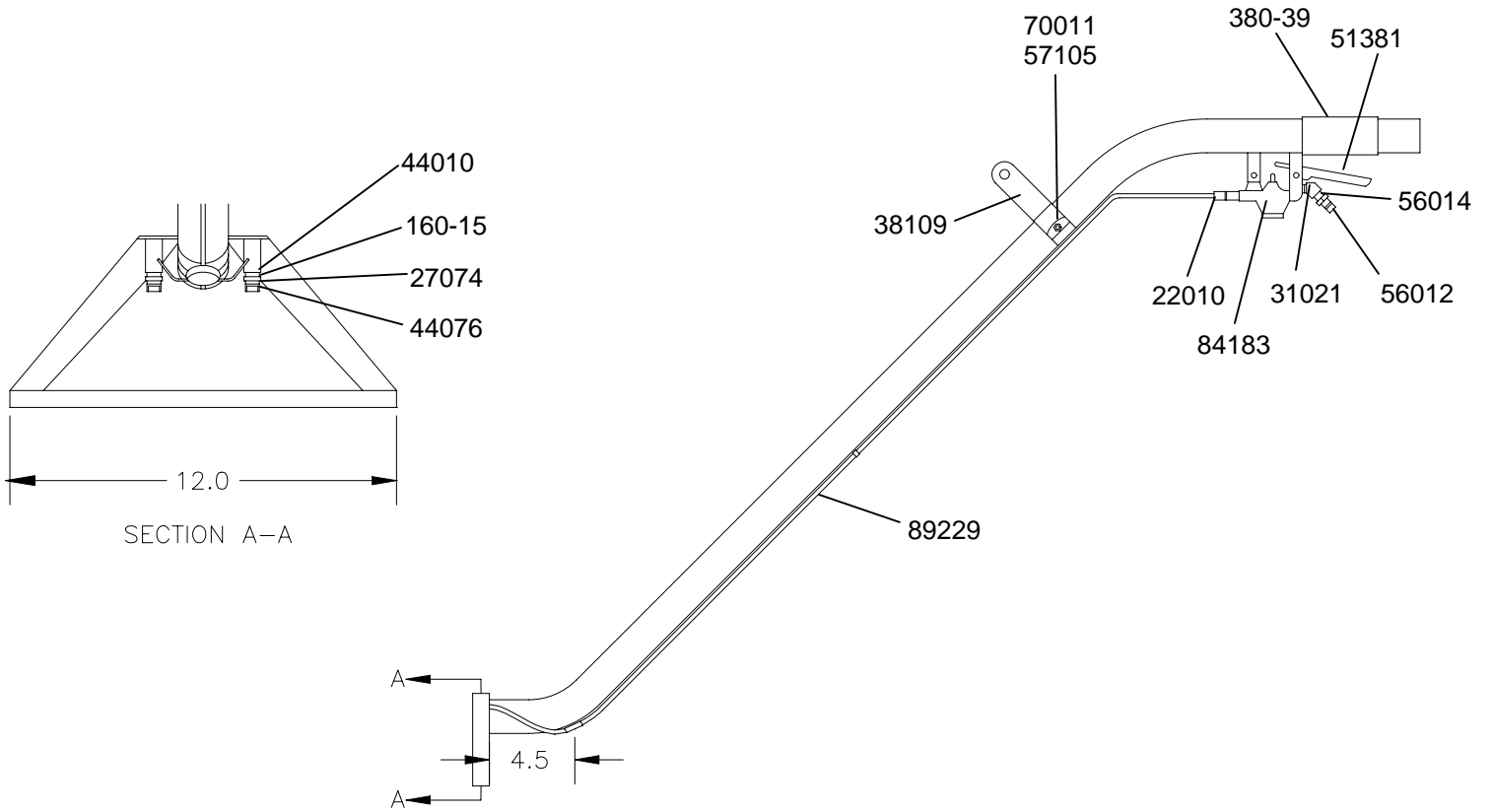


PRO HEATER DIAGRAM



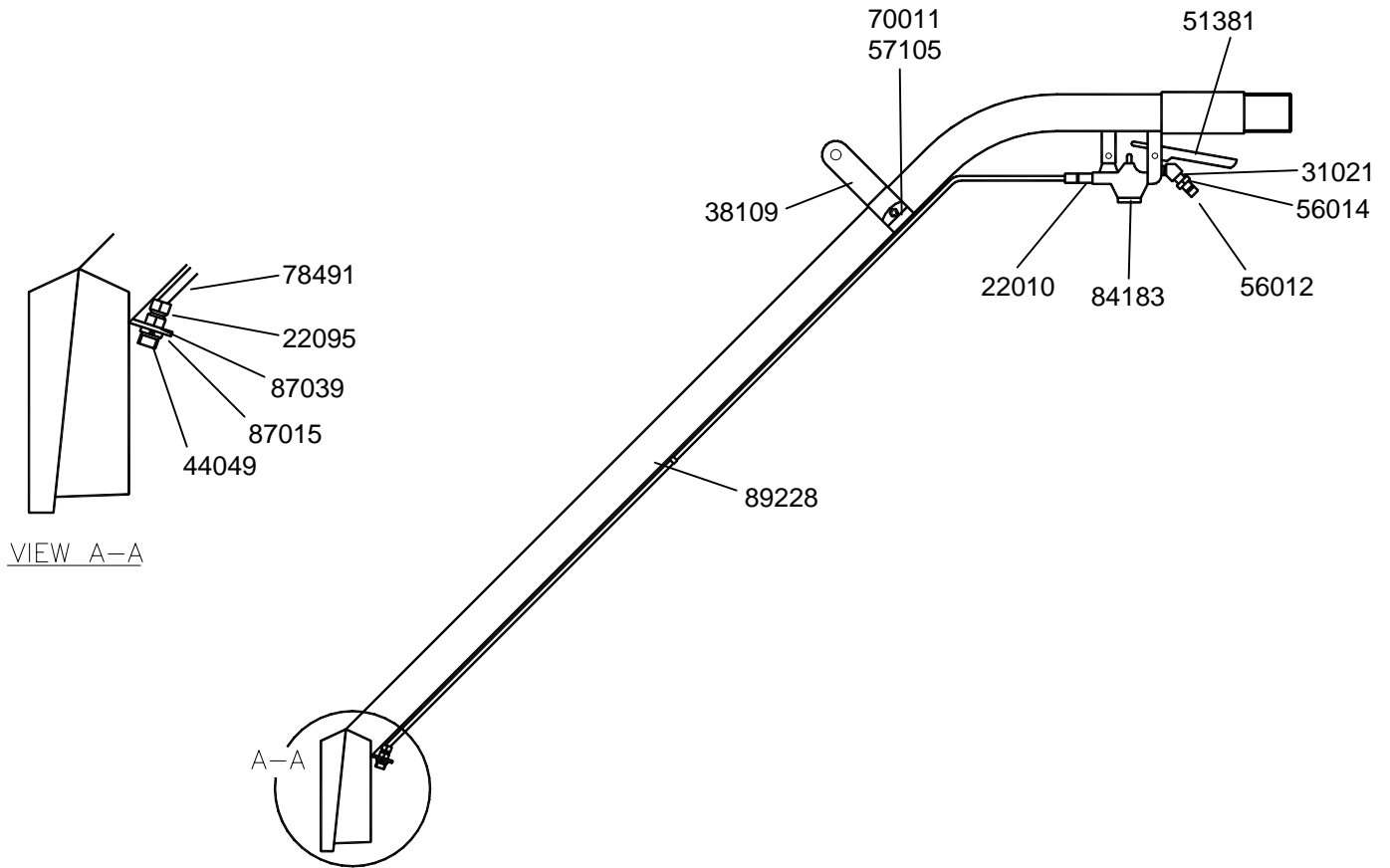
PRO SPRAY DIAGRAM

89226 DELUXE PROFESSIONAL



PART NO.	PUMP PRESSURE	JET
160-32	200 PSI	11015 SS
160-27	500 PSI	9501 SS
44076	100 PSI (SHIPPED WITH WAND)	11002 BRASS

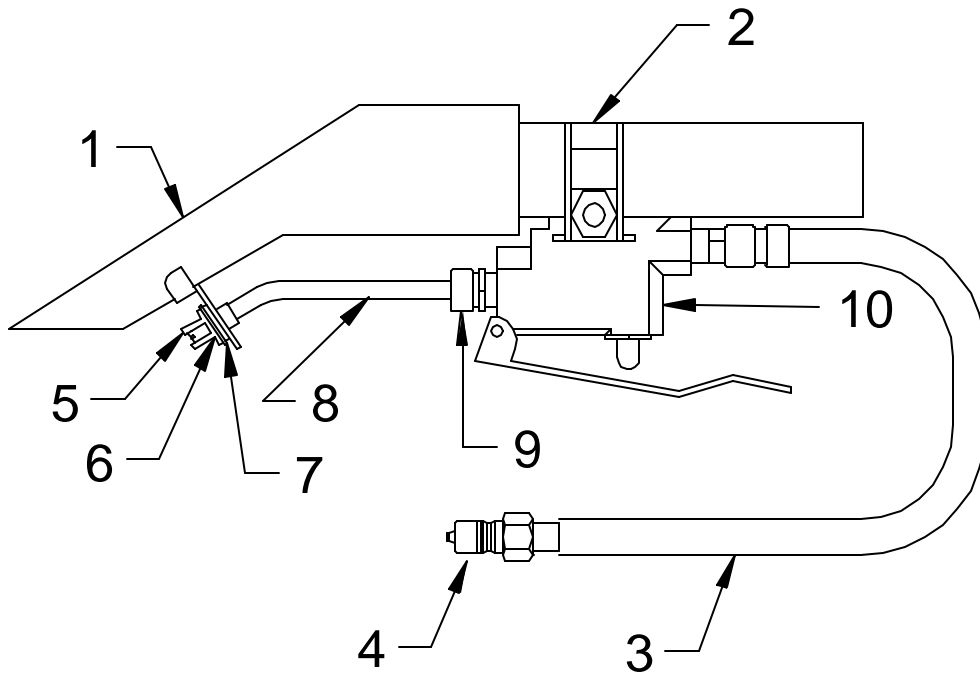
89227 STANDARD WAND



PART NO.	PUMP PRESSURE	JET
44075	50 PSI	11005 BRASS
44049	100 PSI (SHIPPED WITH WAND)	11004 BRASS

HAND TOOL & PARTS LIST

REF	PART NO.	DESCRIPTION	SERIAL NO. FROM	NOTES:
1	41422	HOUSING, HANDTOOL SPOTTER		
2	20053	CLAMP, DHT VALVE		
3	39618	HOSE ASM, HT VALVE 12"		
4	56012	NIPPLE, 1/4 FPT QD		
5	44074	JET, ASM W/O RING		
6	70268	SCR, 8-32 X1/4 PHST PLTD		
7	62918	PLATE, RETAINER W/SCRS		
8	54181	MANIFOLD, SPOTTER 3/16		
9	34384	FITTING, 1/8MPT X 3/16 COMP		
10	84185	VALVE ASM, BRASS HT		
-	HT	HAND TOOL		ASSEMBLY



NOTES: