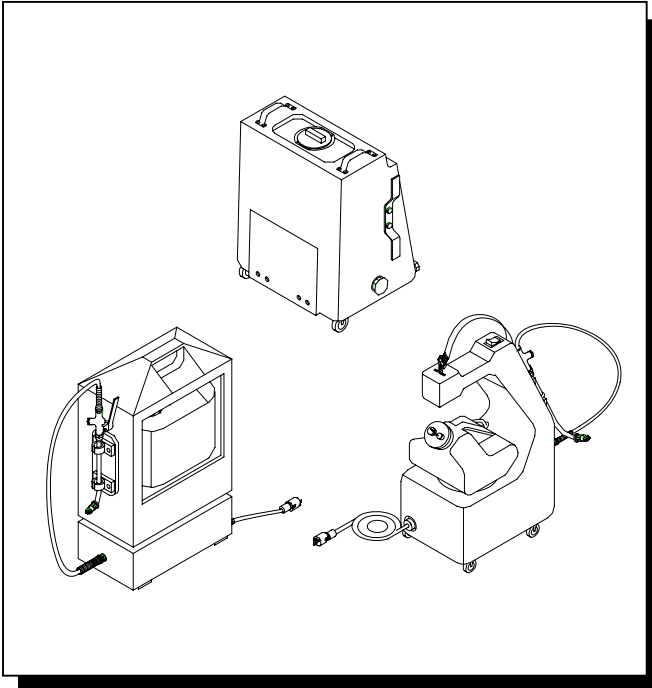


TURBO II

TURBO III

TURBO X

CENTURY
400™



Operating Instructions (ENG)

MODELS: 400-43SP
400-46SP
400-49MO

Read instructions before operating the machine.

E

MACHINE DATA LOG/OVERVIEW

MODEL	_____
DATE OF PURCHASE	_____
SERIAL NUMBER	_____
SALES REPRESENTATIVE #	_____
DEALER NAME	_____
OPERATIONS GUIDE NUMBER	_____
PUBLISHED	_____

YOUR DEALER	
Name:	_____
Address:	_____
Phone Number:	_____

OVERVIEW

These appliances are used to pre-spray solution on heavily soiled areas as well as a sprayer for light cleaning.

TABLE OF CONTENTS

GROUP PARTS LIST

<i>Machine Data Log/Overview</i>	2
<i>Table of Contents</i>	3

HOW TO USE THIS MANUAL

<i>How to use this Manual</i>	1-1
-------------------------------------	-----

SAFETY

<i>Important Safety Instructions</i>	2-1
<i>Hazard Intensity Level</i>	2-2
<i>Safety Label Location</i>	2-3
<i>Grounding Instructions</i>	2-4

OPERATIONS

<i>Machine Operations</i>	3-1
---------------------------------	-----

MAINTENANCE

<i>Daily Maintenance</i>	4-1
<i>Periodic Maintenance</i>	4-1
<i>Monthly Maintenance</i>	4-1
<i>Lubrication</i>	4-1
<i>Storage</i>	4-1
<i>Pump Replacement</i>	4-2
<i>Pump Replacement Kits</i>	4-2
<i>Machine Troubleshooting</i>	4-3

<i>Turbo II</i>	5-1
<i>Turbo III</i>	5-3
<i>Turbo X</i>	5-5
<i>Wiring Diagram (Turbo II)</i>	5-7
<i>Wiring Diagram (Turbo III)</i>	5-8
<i>Wiring Diagram (Turbo X)</i>	5-9
<i>Warranty</i>	5-10

HOW TO USE THIS MANUAL

This manual contains the following sections:

- HOW TO USE THIS MANUAL
- SAFETY
- OPERATIONS
- MAINTENANCE
- PARTS LIST

The HOW TO USE THIS MANUAL section will tell you how to find important information for ordering correct repair parts.

Parts may be ordered from authorized dealers. When placing an order for parts, the machine model and machine serial number are important. Refer to the MACHINE DATA box which is filled out during the installation of your machine. The MACHINE DATA box is located to the inside of the front cover of this manual.

MODEL _____
DATE OF PURCHASE _____
SERIAL NUMBER _____
SALES REPRESENTATIVE # _____
DEALER NAME _____
OPERATIONS GUIDE NUMBER _____
PUBLISHED _____

The model and serial number of your machine is located in the following area:

Turbo II - Bottom of housing on cord wrap side.

Turbo III - On housing by power cord.

Turbo X - On back panel.

The SAFETY section contains important information regarding hazard or unsafe practices of the machine. Levels of hazards are identified that could result in product or personal injury, or severe injury resulting in death.

The OPERATIONS section is to familiarize the operator with the operation and function of the machine.

The MAINTENANCE section contains preventive maintenance to keep the machine and its components in good working condition. They are listed in this general order:

- Maintenance
- Lubrication
- Vacuum Motor Replacement
- Solution Pump Replacement
- Troubleshooting

The PARTS LIST section contains assembled parts illustrations and corresponding parts list. The parts lists include a number of columns of information:

- **REF** – column refers to the reference number on the parts illustration.
- **PART NO.** – column lists the part number for the part.
- **QTY** – column lists the quantity of the part used in that area of the machine.
- **DESCRIPTION** – column is a brief description of the part.
- **SERIAL NO. FROM** – column indicates the first machine the part number is applicable to. When the machine design has changed, this column will indicate serial number of applicable machine. The main illustration shows the most current design of the machine. The boxed illustrations show older designs.
- **NOTES** – column for information not noted by the other columns.

NOTE: If a service or option kit is installed on your machine, be sure to keep the KIT INSTRUCTIONS which came with the kit. It contains replacement parts numbers needed for ordering future parts.

IMPORTANT SAFETY INSTRUCTIONS

When using an electrical appliance, basic precaution must always be followed, including the following:

READ ALL INSTRUCTIONS BEFORE USING THIS MACHINE.

This machine is for commercial use.



WARNING:

To reduce the risk of fire, electric shock, or injury:

Connect to a **properly grounded outlet**. See Grounding Instructions.

Do not leave the machine unattended. Unplug machine from outlet when not in use and before maintenance or service.

Use only indoors. Do not use outdoors or expose to rain.

Do not allow machine to be used as a toy. **Close attention** is necessary when used by or near children.

Use only as described in this manual. Use only manufacturer's recommended components and attachments.

Do not use damaged electrical cord or plug. Follow all instructions in this manual concerning grounding the machine. If the machine is **not working properly**, has been dropped, damaged, left outdoors, or dropped into water, return it to an authorized service center.

Do not pull or carry machine by electrical cord, use as a handle, close a door on cord, or pull cord around sharp edges or corners.

Do not run machine over cord. **Keep** cord away from heated surfaces.

Do not unplug machine by pulling on cord. To unplug, grasp the electrical plug, not the electrical cord.

Do not handle the electrical plug or machine with wet hands.

Do not operate the machine with any openings blocked. Keep openings free of debris that may reduce airflow.

This machine is intended for cleaning carpet only.

Do not vacuum anything that is burning or smoking, such as cigarettes, matches, or hot ashes.

This machine is not suitable for picking up health endangering dust.

Turn off all controls before unplugging.

Machine can cause a fire when operating near flammable vapors or materials. Do not operate this machine near flammable fluids, dust or vapors.

This machine is suitable for commercial use, for example in hotels, schools, hospitals, factories, shops and offices for more than normal housekeeping purposes.

Maintenance and repairs must be done by qualified personnel.

If foam or liquid comes out of machine, switch off immediately.

SAVE THESE INSTRUCTIONS

HAZARD INTENSITY LEVEL

The following symbols are used throughout this guide as indicated in their descriptions:

HAZARD INTENSITY LEVEL

There are three levels of hazard intensity identified by signal words -**WARNING** and **CAUTION** and **FOR SAFETY**. The level of hazard intensity is determined by the following definitions:

⚠ WARNING

WARNING - Hazards or unsafe practices which COULD result in severe personal injury or death.

⚠ CAUTION

CAUTION - Hazards or unsafe practices which could result in minor personal injury or product or property damage.

FOR SAFETY: To identify actions which must be followed for safe operation of equipment.

Report machine damage or faulty operation immediately. Do not use the machine if it is not in proper operating condition. Following is information that signals some potentially dangerous conditions to the operator or the equipment. Read this information carefully. Know when these conditions can exist. Locate all safety devices on the machine. Please take the necessary steps to train the machine operating personnel.

FOR SAFETY:

DO NOT OPERATE MACHINE:

Unless Trained and Authorized.

Unless Operation Guide is Read and understood.

In Flammable or Explosive areas.

In areas with possible falling objects.

WHEN SERVICING MACHINE:

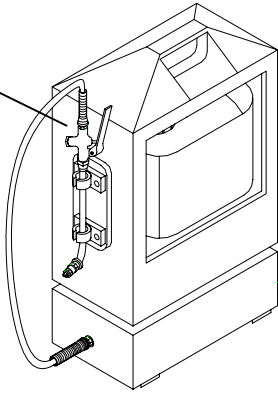
Avoid moving parts. Do not wear loose clothing; jackets, shirts, or sleeves when working on the machine.

SAFETY LABEL LOCATION

NOTE: These drawings indicate the location of safety labels on the machine. If at any time the labels become illegible, promptly replace them.



LABEL WARNING
500009



WARNING! FOR YOUR PROTECTION USE A GROUND FAULT CIRCUIT INTERRUPTER

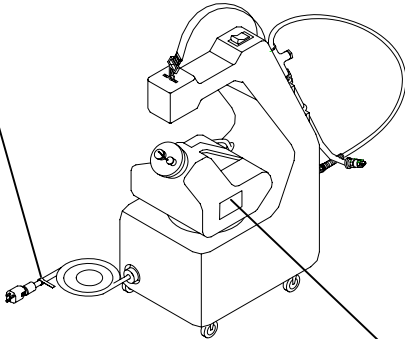
WARNING! FOR YOUR PROTECTION USE A GROUND FAULT CIRCUIT INTERRUPTER

LABEL CIRCUIT INTERRUPTER
170-41

WARNING! FOR YOUR PROTECTION USE A GROUND FAULT CIRCUIT INTERRUPTER

WARNING! FOR YOUR PROTECTION USE A GROUND FAULT CIRCUIT INTERRUPTER

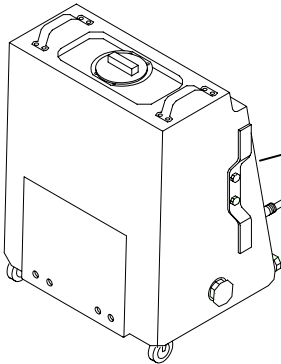
LABEL CIRCUIT INTERRUPTER
170-41



LABEL EXPLOSION WARNING
50742



LABEL EXPLOSION WARNING
50742



WARNING! FOR YOUR PROTECTION USE A GROUND FAULT CIRCUIT INTERRUPTER

WARNING! FOR YOUR PROTECTION USE A GROUND FAULT CIRCUIT INTERRUPTER

LABEL CIRCUIT INTERRUPTER
170-41

GROUNDING INSTRUCTIONS

THIS PRODUCT IS FOR COMMERCIAL USE ONLY.

ELECTRICAL:

In the USA this machine operates on a standard 15 amp 115V, 60 hz, A.C. power circuit. The amp, hertz, and voltage are listed on the data label found on each machine. Using voltages above or below those indicated on the data label will cause serious damage to the motors.

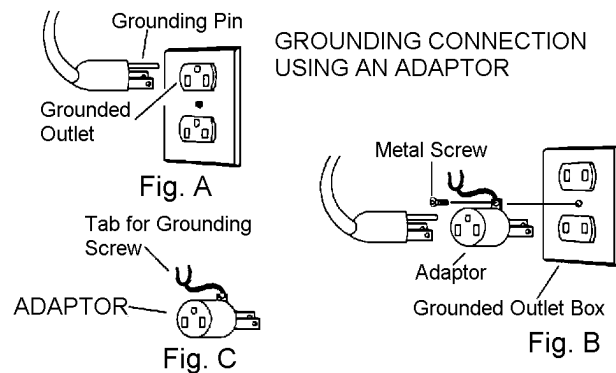
EXTENSION CORDS:

If an extension cord is used, the wire size must be at least one size larger than the power cord on the machine, and must be limited to 50 feet (15.5m) in length.

GROUNDING INSTRUCTIONS:

This appliance must be grounded. If it should malfunction or break down, grounding provides a path of least resistance for electric current to reduce the risk of electric shock. This appliance is equipped with a cord having an equipment-grounding conductor and grounding plug. The plug must be inserted into an appropriate outlet that is properly installed and grounded in accordance with all local codes and ordinances.

This appliance is for use on a nominal 120-volt circuit, and has a grounded plug that looks like the plug in "Fig. A". A temporary adaptor that looks like the adaptor in "Fig. C" may be used to connect this plug to a 2-pole receptacle as shown in "Fig. B", if a properly grounded outlet is not available. The temporary adaptor should be used only until a properly grounded outlet (Fig. A) can be installed by a qualified electrician. The green colored rigid ear, lug, or wire extending from the adaptor must be connected to a permanent ground such as a properly grounded outlet box cover. Whenever the adaptor is used, it must be held in place by a metal screw.



Note: Adaptors are not allowed in Canada.

Improper connection of the equipment-grounding conductor can result in a risk of electric shock. Check with a qualified electrician or service person if you are in doubt as to whether the outlet is properly grounded. Do not modify the plug provided with the appliance - if it will not fit the outlet, have a proper outlet installed by a qualified electrician.

PRE-RUN INSPECTION

1. Check all fittings and connectors for proper assembly.
2. Check all hoses for leaks. Repair or replace any damaged hoses.
3. Check power cord(s) for any damage. If damaged, replace.

EQUIPMENT SET-UP

1. Plug power cord from machine into properly grounded wall outlet.

Turbo X only:

2. Connect the hose to your machine and wand. Pull back the knurled collar on the quick disconnect coupler and push onto the connection on the chassis. To avoid leaks, check to be that a positive connection was made.
3. Using a clean container, fill the solution tank with clean hot water. Mix in a non-foaming cleaning concentrate for use in hot water extraction machines, following the manufacture's instructions printed on container.

NOTE: When using a powder cleaner, pre-mix with hot water in a clean container before adding to the solution tank.

6. Switch to the on position.
7. Start spraying.

EMPTYING AND CLEANING

1. Before proceeding, make certain that the nozzle is functioning properly.
 - a. To check, hold the wand about one foot above the surface to be cleaned and open the wand valve. A full spray should be observed from the nozzle.
 - b. If the nozzle is not showing a full spray pattern, adjust nozzle for proper pattern, clean, or replace nozzle.
2. Keep the wand moving when the valve is open.

MAINTENANCE

DAILY MAINTENANCE



Unplug power cord(s) before servicing or making any repairs.

1. Flush the entire system, including hand tool, etc., with 1 to 3 gallons of clean, hot water.
2. Rinse tank with fresh water. Periodically inspect the solution tank and decontaminate if necessary, using a Hospital Grade Virucide or a 1-10 bleach to water solution. Wastewater should be disposed of properly.
3. Occasionally check filter screen and rinse clean with hot water if necessary.
4. Inspect hoses for wear. Frayed or cracked hoses should be replaced to avoid solution pressure loss.
5. Inspect power cord for wear or damage. This cable will lie on wet carpet. To prevent electrical shock replace cords that are frayed or have cracked insulation immediately.
6. Clean all dirt and obstructions from drain valve and gaskets to prevent possible leakage and premature wear.
7. Run clean water through solution pump when work is complete.
8. Empty tank and rinse.
9. Store with access covers removed to allow tanks to dry.

PERIODIC MAINTENANCE

1. Twice a month, flush a white vinegar solution (One quart vinegar to two gallons of water) or anti-browning solution (mixed as directed) through the machine, turning pump switch on/off several times, flush with clean water.
2. This will prevent build-up of alkaline residue in the system.
3. Check hoses for wear, blockages, or damage. Frayed or cracked hoses should be repaired or replaced to eliminate solution pressure loss.
4. Check all handles, switches, knobs, electrical cables and connections on your machine for damage. If the cable insulation is broken or frayed, repair or replace it immediately. Don't take chances with electrical fire or shock.
5. Clean out solution tank. Remove and clean solution screen.
6. Clean outside of all tanks and check for damage.

MONTHLY MAINTENANCE

1. Check all gaskets for wear and leakage.
2. Check pump pressure; observe spray pattern and check gauge if necessary.
3. Check overall performance of machine.

LUBRICATION

For hose fitting lubrication, use a light silicone lubricant which will not damage o-rings.

STORAGE

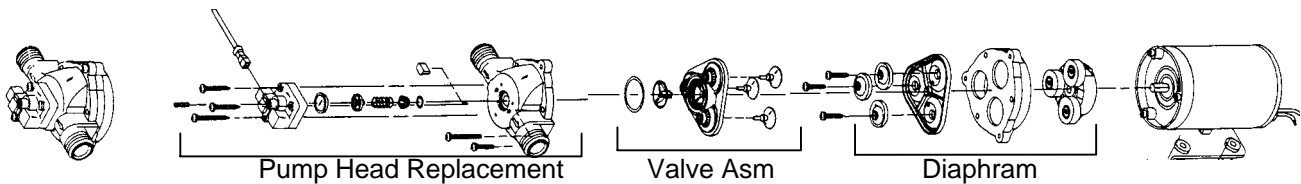
Thoroughly clean machine if it is to be stored. Protect this machine from freezing while in storage.

! WARNING: Only qualified maintenance personnel are to perform the following repairs.

PUMP REPLACEMENT

1. Turn off all switches and unplug the machine.
2. Remove recovery tank.
3. Remove solution hoses from fittings in pump.
4. Remove the screws that fasten the pump to the frame.
5. Reverse process to install pump.

PUMP REPLACEMENT KITS



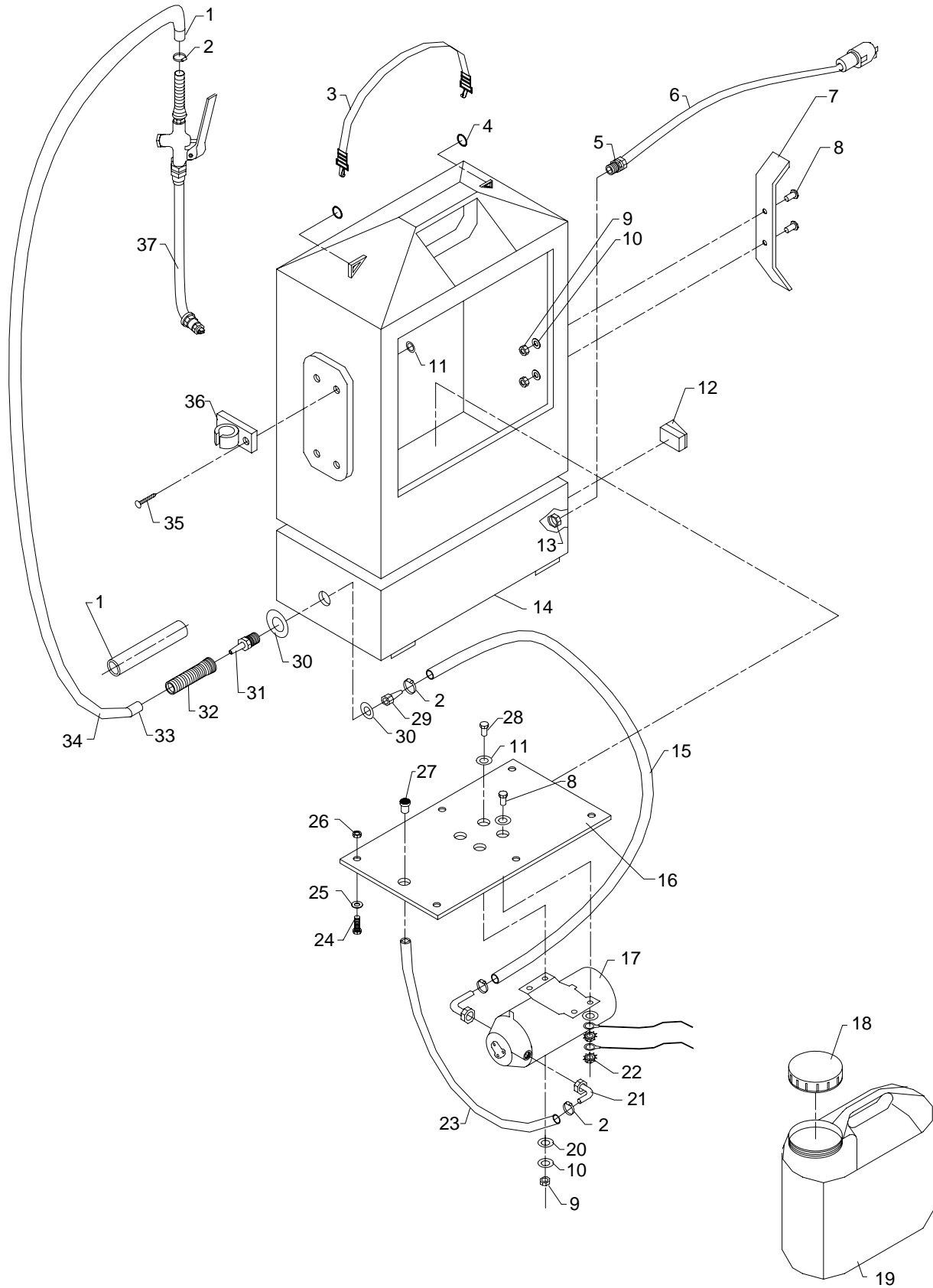
DESCRIPTION & PART NO.			
PUMP	PUMP HEAD REPLACEMENT	VALVE ASM.	DIAPHRAGM
50 PSI	65188	84162	29207

TROUBLESHOOTING

PROBLEM	CAUSE	SOLUTION
Loss of Power	Dead electrical circuit	Check building circuit breaker or fuse box.
	Faulty power cord	Replace
Electrical shock	Equipment not grounding	Follow grounding instructions exactly
	Receptacle not grounded	Contact an electrician to check building's wiring
	Internal wiring problem	Have a trained service technician check machine's wiring
Pump runs no solution	Pump inlet screen plugged	Clean inlet screen
	Pump air locked	Press trigger to open valve on cleaning wand to relieve air
	Internal or external solution line damaged and leaking	Replace
Pump runs, loss of pressure	Internal pump components wearing out	Replace, see pump kit components (pg 4-2)
	Check valves in pump head for particles or cuts in seals	Take piston from BPR and lubricate with Superlube. If problem still exists change BPR kit
Pump will not run	Unit not plugged in	Connect unit to 3 prong grounded outlet
	Loose wiring	See dealer
Solution hose fitting hard to connect	Corrosion on fittings.	Clean with steel wool. Soak in acetic acid (white vinegar). Lubricate lightly with silicone base lubricant.
Carpet not getting clean	Severe soil conditions	Make several passes at right angles to each other. Use a pre-spray.
Carpet too wet	Over saturation	Adjust solution pressure to lower settings. Make several passes without spray
Carpet browning	Leaving carpet too wet	Check for loss of vac pressure
	Too much chemical	Check label for correct solution concentration
	Light carpet with no brown prevention	Go over carpet with browning prevent only
Solution not flowing properly	Solution hose connection	Check for positive connection
	Faulty pump	Repair or replace
	Faulty floor tool valve	Repair or replace
	Faulty pump switch	Repair

THIS PAGE LEFT BLANK INTENTIONALLY

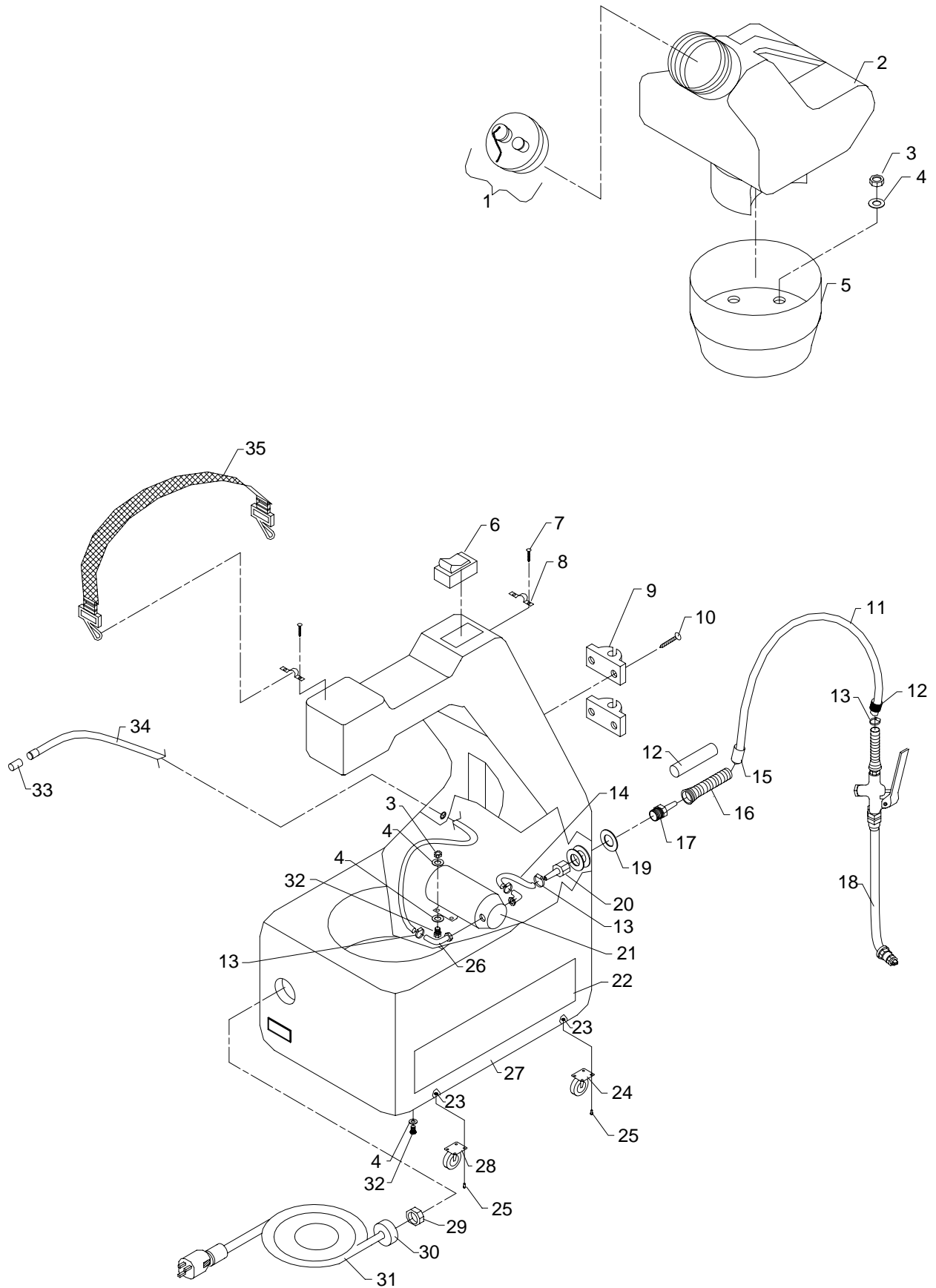
TURBO II



TURBO II PARTS LIST

REF	PART NO.	QTY	DESCRIPTION	SERIAL NO. FROM	NOTES:
1	99667	5"	HEAT SHRINK, 3/4 ID UL/CSA		
2	20016	4	CLAMP, 1/4 ID HOSE		
3	730044	1	STRAP ASM 1" W BLACK W/CLIPS		
4	340-04	2	KEY RING 1"		
5	73195	5	STRAIN RELIEF, 1/2 NPT (.48ID)		
6	060-03	1	CORD 15' BLK 16/3 SJTW/A PLUG		
7	065-03A	1	CORD WRAP FOR TURBO X		
8	70018	3	SCR, 1/4-20 X 1 HHCS SS		
9	57245	5	NUT, 1/4-20 HEX NYLOCK SS		
10	87013	10	WASHER, 1/4 ID X 5/8 OD SS		
11	87095	4	WASHER, #10 FLAT PLTD		
12	72142	1	SWITCH, SPST 15A EURO ROCKER		
13	57040	1	NUT, 1/2 NPT CONDUIT		
14	41405	1	HOUSING, TURBO II LT GRY		
15	39508	1	HOSE, 1/4 MYLOBRAID X 15"		
16	065-05	1	PUMP PLARE TURBO II		
17	250-63	1	SHURFLO 50 PSI PUMP		
18	240-18A	1	CAP 2 1/2 GAL. JUG		
19	240-18	1	TURBO II JUG		
20	110-22	3	GROMMET 6 GAL. PORT		
21	250-12	2	HOSEBARB, 3/8 MPT X 1/4 90D		
22	57105	2	NUT, 1/4-20 HEX W/ STAR WASHER		
23	39585	1	HOSE, 1/4 URETHANE X 63"		
24	70424	6	SCR, 8-32 X 5/8 HHMS PLTD		
25	87017	6	WASHER, #8 FLAT		
26	57026	6	NUT, 8-32 HEX NYLOCK SS		
27	290-10	1	STRAINER 1/4 BARB S/S		
28	70015	3	SCR, 1/4-20 X 3/4 HHCS SS NP		
29	40012	1	HOSEBARB, 1/4FPT X 1/4		
30	87015	2	WASHER, 9/16 ID X 1.06 OD SS		
31	40009	1	HOSEBARB, 1/4 MPT X 1/4 DL		
32	150-19	1	HOSE SPRING GUARD 1/4		
33	34304	1	FERRULE, .50 ID X 1.0 BRASS		
34	39584	1	HOSE, 1/4 NYLOBRAID X 8'		
35	280-01	4	RIVET AL. 1/8 X 1/2		
36	110-13	2	TURBO WAND HOLDER		
37	381-12	1	WAND TURBO PVC		

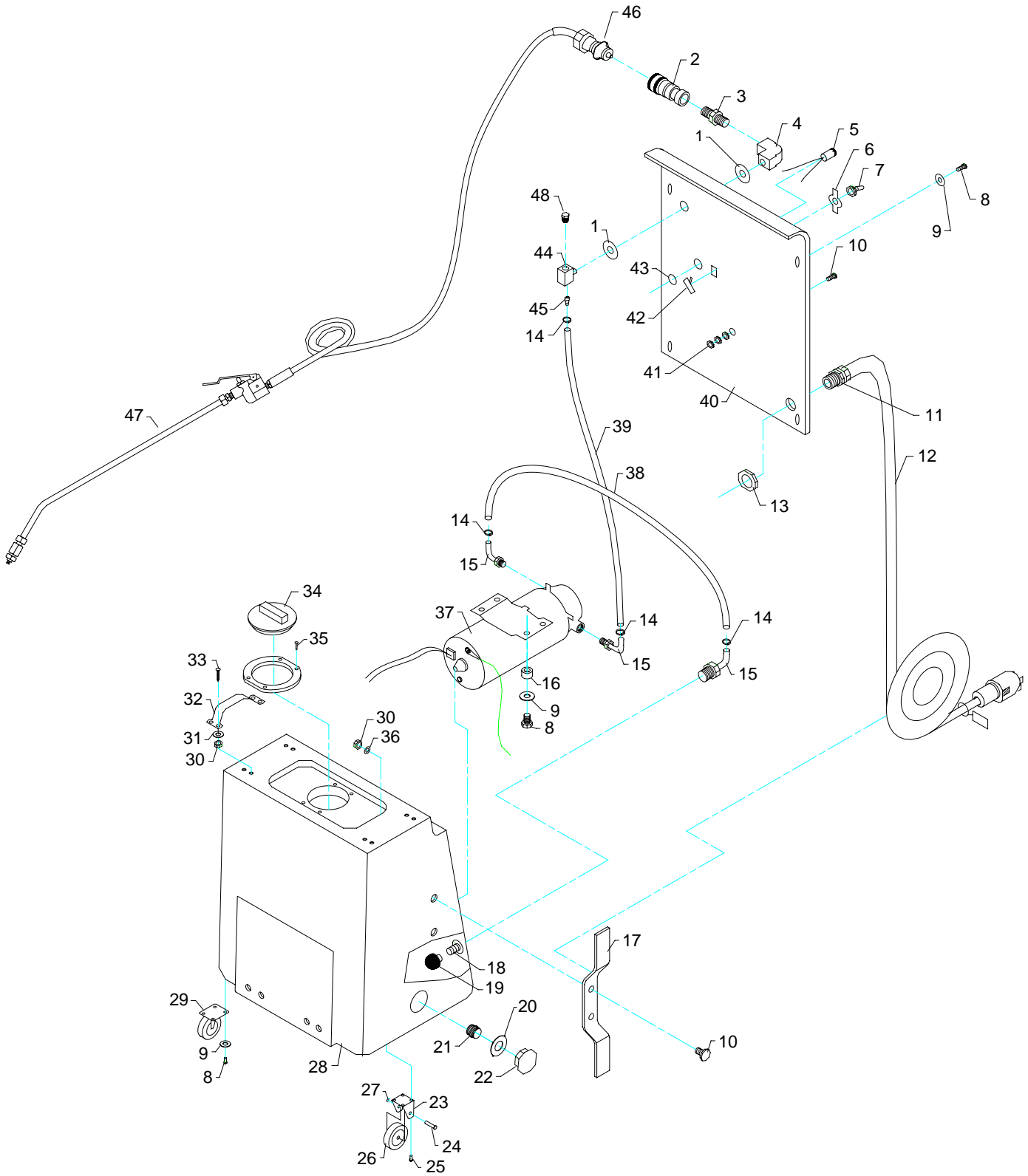
TURBO III



TURBO III PARTS LIST

REF	PART NO.	QTY	DESCRIPTION	SERIAL NO. FROM	NOTES:
1	240-35	1	CAP 3 GAL. JUG		
2	240-14	1	TANK, SLTN TURBOMIST III		
3	57245	4	NUT, 1/4-20 HEX NYLOCK SS		
4	87013	8	WASHER, 1/4 ID X 5/8 OD SS		
5	240-15	1	BUCKET, TURBOMIST III		
6	72142	1	SWITCH, SPST 15A EURO ROCKER		
7	300-09	4	SCR, #10 X 1/2 PPH SH MTL SS		
8	320-03	2	SHOULDER STRAP		
9	110-13	2	TURBO WAND HOLDER		
10	280-01	4	RIVIT AL. 1/8 X 1/2		
11	39584	1	HOSE, 1/4 NYLOBRAID X 8'		
12	99667	5"	HEAT SHRINK, 3/4 ID		
13	20016	4	CLAMP, 1/4 ID HOSE		
14	39508	1	HOSE, 1/4 NYLOBRAID X 15"		
15	34304	1	FERRULE, .50 ID X 1.0 BRASS		
16	150-19	1	HOSE SPRING GUARD 1/4		
17	40009	1	HOSEBARB, 1/4MPT X 1/4 DL		
18	381-12	1	WAND TURBO PVC		
19	87015	3	WASHER, 9/16 ID X 1.06 OD SS		
20	40012	1	HOSEBARB, 1/4FPT X 1/4		
21	250-63	1	SHURFLO 50PSI PUMP		
22	170-13	2	LABEL TURBOMIST III		
23	87095	16	WASHER, #10 FLAT PLTD		
24	040-01	2	CASTER SWIVEL 2"		
25	280-02	16	RIVET AL. 3/16 X 1/2 CLOSED		
26	250-12	2	HOSEBARB, 3/8 MPT X 1/4 90D		
27	240-13	1	HOUSING, TURBOMIST III GRY		
28	040-02	2	CASTER RIGID 2"		
29	57040	1	NUT, 1/2 NPT CONDUIT		
30	73195	1	STRAIN RELIEF, 1/2 NPT (.48ID)		
31	060-03	1	CORD 15' BLK 16/3 SJTW/A PLUG		
32	70015	4	SCR, 1/4-20 X 3/4 HHCS SS NP		
33	290-10	1	STRAINER 1/4 BARB S/S		
34	39585	1	HOSE, 1/4 URETHANE X 63"		
35	730044	1	STRAP ASM 1" W BLACK W/CLIPS		

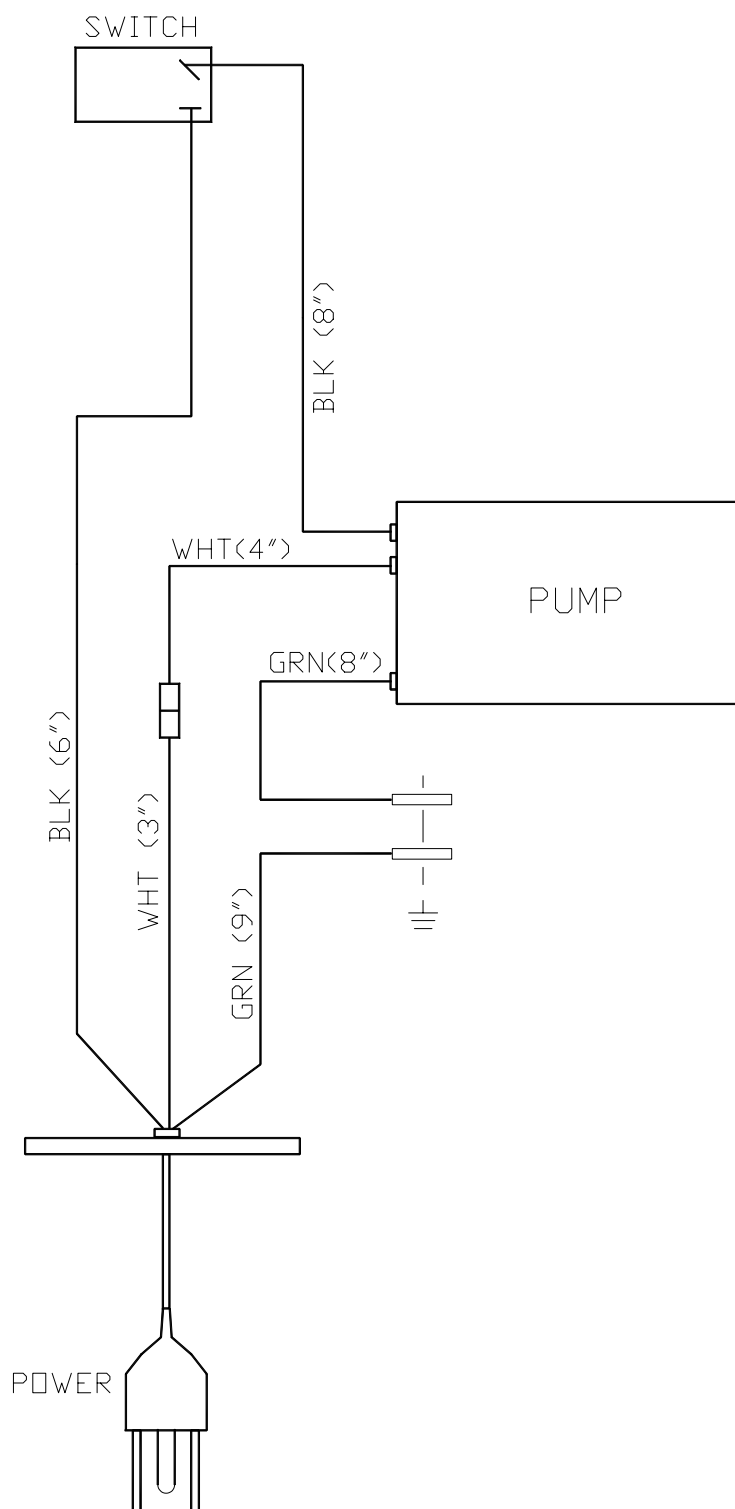
TURBO X



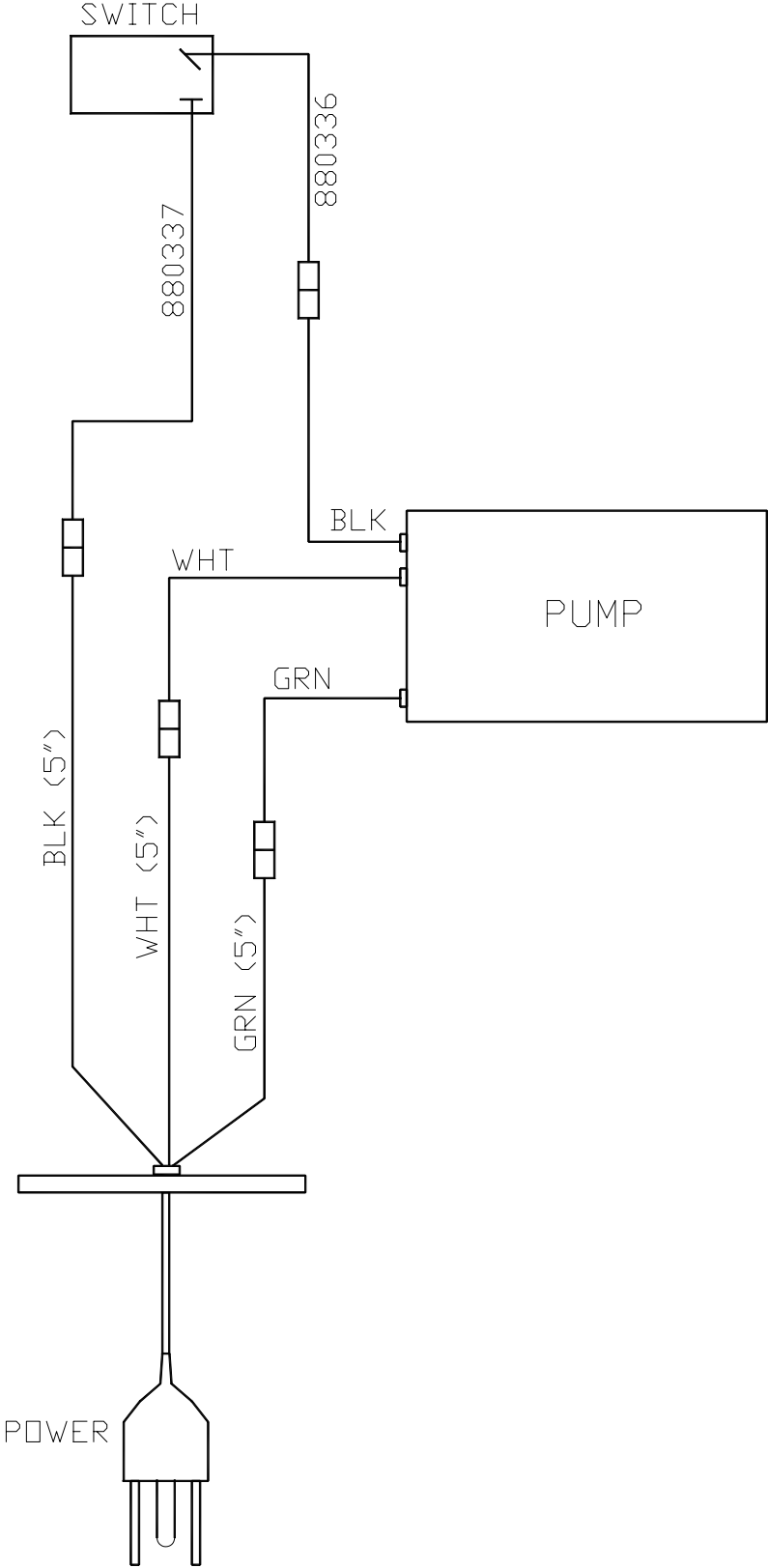
TURBO X PARTS LIST

REF	PART NO.	QTY	DESCRIPTION	SERIAL NO. FROM	NOTES:
1	390-09A	2	WASHER 9/16 S/S USS-THICK		
2	22015	1	COUPLER, 1/4 QD		
3	56015	1	NIPPPLE, 1/4 HEX		
4	31017	1	ELBOW, 1/4 FPT X 1/4 FPT		
5	51041	1	LIGHT, 115V NEON INDICATOR		
6	335-04	1	TOGGLE SWITCH PLATE ON/OFF		
7	330-06	1	TOGGLE SWITCH BOOT		
8	70088	10	SCR, 10-32 X 1/2 PPHMS SS		
9	87018	10	WASHER, #10 X 9/16 OD		
10	70018	3	SCR, 1/4-20 X 1 HHCS SS		
11	73195	1	STRAIN RELIEF, 1/2 NPT (.48ID)		
12	060-03	1	CORD, 15' BLK 16/3 SJTW/A PLUG		
13	57040	1	NUT, 1/2 NPT CONDUIT		
14	20042	4	CLAMP, 3/8 HOSE (D-SLOT)		
15	40043	3	HOSEBARB, 3/8MPT X 3/8 90D		
16	110-22	4	GROMMET 6 GAL PORT		
17	065-03A	1	CORD WRAP FOR TURBO X		
18	40083	1	HOSEBARB, 3/8MT X 3/8 NYLON		
19	290-08	1	SOL SCREEN (ACORN) W/RUB BASE		
20	030-76A	1	WASHER FOR 3/4 BRASS CAP		
21	260-63	1	GH-AD. 3/4GHT X 3/4NPT NYLON		
22	260-62	1	CAP GARDEN HOSE F-3/4" NYLON		
23	140415	2	BRKT, WHEEL CHANNEL		
24	66276	2	PIN, CLEVIS 5/16 X 1.625 LG		
25	70020	4	SCR, 1/4-20 X 1/2 HHCS SS NP		
26	89197	2	WHEEL, 2 OD X .31 ID X .875W, GRY		
27	80605	2	COTTER, 5/16" RING		
28	75356	1	TANK, TURBO 10		
29	040-01	2	CASTER SWIVEL 2"		
30	57245	10	NUT, 1/4-20 HEX NYLOCK SS		
31	87013	8	WASHER, 1/4 ID X 5/8 OD SS		
32	120-08	2	MACHINE HANDLE BRASS/CHROME		
33	70328	8	SCR, 1/4-20 X 1 FHTR		
34	260-64B	1	ACCESS COVER 4" CLEAR W/RIM		
35	70219	6	SCR, #6 X 1/2 SHT MTL BLK		
36	87190	2	WASHER, SEAL 5/8 OD NEOPRENE		
37	65233	1	PUMP, 120V LOW PRESSURE		
38	39305	1	HOSE, 3/8 NYLOBRAID X 24"		
39	39207	1	HOSE, 3/8 NYLOBRAID X 16"		
40	61371	1	PANEL, TURBOMIST X		
41	57105	3	NUT, 1/4-20 HEX W/STAR WASHER		
42	330-05	1	TOGGLE SWITCH		
43	22046	1	CLIP, NEON LAMP		
44	78024	1	TEE, 1/4 BRANCH	*	WAS 030-16
45	40014	1	HOSEBARB, 1/4 MPT X 3/8 DL		
46	56012	1	NIPPLE, 1/4 FPT QD		
47	89267	1	WAND, SPRAY SS		
48	66017	1	PLUG, 1/4 BRASS PIPE		

TURBO II WIRING DIAGRAM



TURBO III WIRING DIAGRAM



TURBO X WIRING DIAGRAM

