

# Safety, Operations & Maint. Manual

## **Cleanfix® SW 50 Wet/Dry Vacuum Cleaner**



This unit is intended for commercial use

This manual is furnished with each new **SW 50 Wet/Dry Vacuum Cleaner**. It provides necessary operation and maintenance instructions.

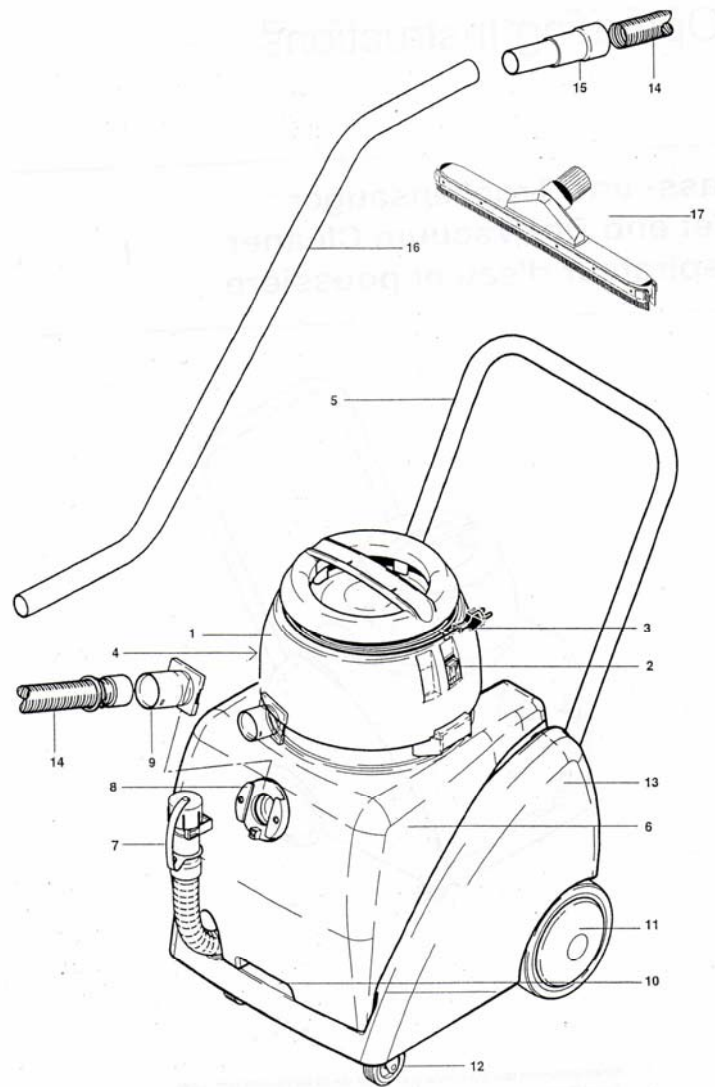
**READ AND FOLLOW ALL INSTRUCTIONS, WARNINGS AND CAUTIONS BEFORE AND WHEN USING THIS VACUUM CLEANER.**

All information and specifications printed in this manual are current at the time of printing. However, because of Cleanfix's policy of continual product improvement, we reserve the right to make changes at any time without notice.

## Description

### Machine

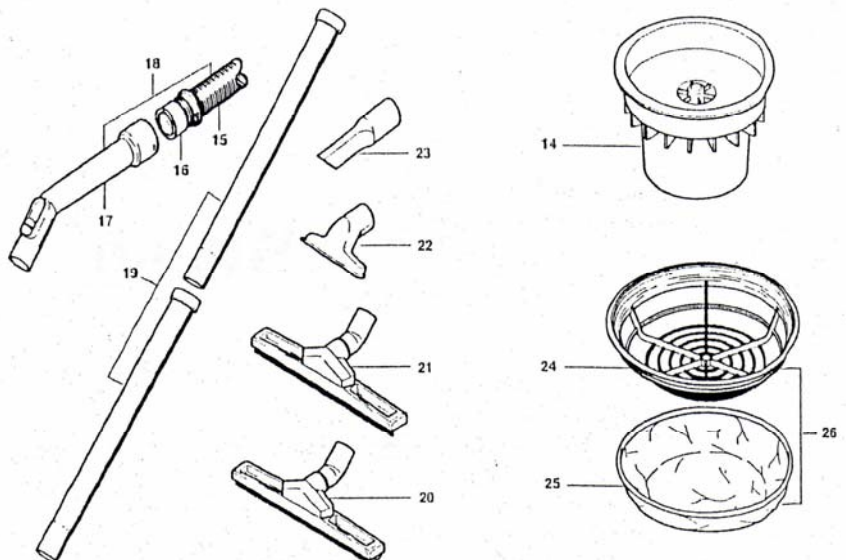
1. Motor head
2. On/Off switch
3. Power cord
4. Latch
5. Handle
6. Tank
7. Drain hose
8. Drain hose connector
9. Vacuum hose connector
10. Handle for tipping tank
11. Wheels
12. Casters
13. Tipping frame
14. Vacuum hose
15. Vacuum hose cuff
16. 2-piece wand
17. Hard-floor tool



### Accessories

#### Zubehör / Accessories/ accessoires SW 50 Standard

14. Overflow water shut-off float
15. Vacuum hose
16. Hose connector
17. Hose handle
18. Vacuum hose assy.
19. 2-piece wand
20. Hard-floor tool
21. Squeegee tool
22. Upholstery tool
23. Crevice tool
24. Pan filter basket
25. Pan filter cloth
26. Pan filter compl.



# Operating instructions

These operating instructions provide you with all information necessary for correct, safe and prescribed usage and maintenance of the wet/dry vacuum cleaner SW 50. The instructions must be kept where they are at all times accessible to the user.

## 1. Warnings

- For 120 volt grounded outlet models. The unit must be plugged into a properly grounded outlet. Do not operate the machine with a broken/missing grounding pin. Have a qualified service person replace the plug immediately.
- Do not leave the vacuum when plugged in. Unplug from outlet when not in use and before servicing.
- Turn OFF all the controls before unplugging the vacuum.
- This is NOT a toy. Close attention is necessary when used around or near children.
- Use only as described in this safety/operations manual. Use only manufacturer's recommended attachments and accessories.
- Do not use this vacuum with damaged cord or plug. If the vacuum is not working as it should, because it has been dropped, damaged, left outdoors or dropped into water, contact authorized service center or factory.
- Do not pull or carry vacuum by the cord, use cord as a handle, close a door on cord or pull cord around sharp edges and corners. Do not run vacuum over cord. Keep cord away from heated surfaces.
- Do not unplug the vacuum by pulling on the cord. To unplug, grasp the plug, not the cord.
- Do not handle the plug of the vacuum with wet hands.
- Store extractor indoors in a dry area. Do not expose to freezing temperatures.
- Do not put any objects into openings. Do not use with any opening blocked; keep free of dust, lint, hair and anything that may reduce air flow.
- Keep hair, loose clothing, fingers and all parts of body away from openings and moving parts.
- Do not use the vacuum to pick up flammable or combustible liquids such as gasoline or use in areas where they may be present. Do not pick up anything that is burning or smoking, such as cigarettes, matches or hot ashes.
- Turn OFF all controls before unplugging.
- Do not use where anesthetics or oxygen is used.
- Do not use an extension cord unless absolutely necessary. If an extension cord is used, the wire size must be 14 ga. or larger and should not exceed 50 feet in length. The extension cord must be three-wire type to insure grounding protection.
- Replace damaged or worn parts immediately with genuine original equipment parts to maintain safety and to protect your limited warranty.
- NEVER drive vacuum over steps.
- When cleaning, servicing or replacing parts, the power cord must be disconnected from the electrical outlet.
- The power cord must never be driven over, squeezed, torn or otherwise damaged.
- Regularly examine the power cord for signs or damage or wear.
- Never operate the vacuum if the power cord is damaged or worn.
- Only power cord recommended by the manufacturer may be used.

## 2. General safety instructions

This machine is designed and constructed according to the present state of the art and recognized technical safety standards. It is electrically tested and satisfies European Safety Standards. Dangers can occur despite of this, in particular in the case of mal-operation or non-compliance with the specifications and information in these operating instructions.

### 2.1 Intended usage

- All dry and wet/dry vacuum cleaners are only to be used indoors.
- Any usage of the machine for a purpose not covered in this manual or the contractually agreed purpose is not permissible and will waive the manufacturer's warranty.
- Always adhere to the herein described operations, service and maintenance instructions.
- This vacuum cleaner is designed to be safe when used to perform cleaning functions as specified. Should damage occur to electrical parts, the unit should NOT be used until the damage is repaired by the

### 2.2 Sources of danger, electrical voltage/electric current

#### Warning: „Danger!!!“

Contact with voltage or current carrying parts carries the risk of electric shock, which can result in serious injury or even death. Never touch damaged cords. Always switch-off and disconnect the power supply before carrying out any work on

### 2.3 Improper usage

Any usage of the machine for a purpose not covered in this manual or the contractually agreed purpose is not permissible. The use of the machine in an unserviceable condition or not in compliance with the following prescriptions is prohibited:

- Protective devices must not be removed or by-passed.

Before using the vacuum cleaner read the operating instructions and always keep those within reach. The vacuum is only to be used by authorized and properly trained persons.

manufacturer of an authorized service center. This will avoid further damage to the vacuum or injury to the user.

- Floor coverings must be checked for suitability for this cleaning method before using the auto-scrubber!
- Pay attention to surface pressure in case of point-elastic floors such as gymnasium floors. Check that the wheels will not damage the surface.
- Cleanfix does not accept liability for damage caused to the machine and floor covering being cleaned if wrong brush and chemicals have been used.

the machine. Replace faulty cord immediately. When transported in elevators always follow the regulations currently in effect.

- Conversions and modifications to the machine are not permitted.
- Defective supply cables are only to be replaced by authorized persons.

### Electrical operation (110 volts)

## 2.4 Organisational points

It is the responsibility of the operator to ensure that:

- the machine is operated only by persons who have been instructed in its handling and are authorized to use it.
- the recognized occupational safety regulations are observed.
- any further national or international company regulations are observed.

## 2.4 Emergencies

In case of an emergency:

- Disconnect power cord.
- Immediately apply recognized **First-Aid** measures.

## 2.5 Operating for the first time

Delivery, instruction on safety rules, handling and maintenance, as well as as operation for the first time is normally carried out by a specialist approved by the

## 2.6 Grounding Instructions

Electrical equipment must be grounded. If it should malfunction or breakdown, grounding provides a path of least resistance for electrical current to reduce the risk of electric shock.

The extractor is equipped with a cord having equipment grounding conductor and grounding plug.

The plug must be inserted into an appropriate outlet that is properly installed and grounded in accordance with all local codes and ordinances.

If repair or replacement of the cord or plug is necessary, DO NOT connect the grounded wire to either flat blade terminal. The wire with insulation having an outer surface that is green with or without yellow stripes is the grounding wire.

Improper connection of the equipment-grounding conductor can result in a risk of electric shock. Check with a qualified electrician or service person if you are in doubt as to whether the outlet is properly grounded.

Do not modify the plug provided with the equipment. If it will not fit the outlet, have a proper outlet installed by a qualified electrician.

- all users are acquainted with the safety regulations and trained in the use of the specific machine.
- all users have read and understood the operating instructions.
- responsibilities for the operation, maintenance and repair of the machine are clearly assigned and observed.
- faults and damages are immediately notified to an authorized service.

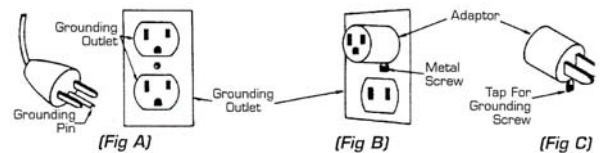
After incidents, **do not resume operation with the machine** until it has been inspected by an authorized service center or the manufacturer.

manufacturer. Where this is not the case, the operator is responsible for instructing the users.

Note: In Canada, the use of a temporary adaptor is not permitted by the Canadian Electrical Code.

This electric equipment is for use on a nominal 120-volt circuit, and has a grounded plug that looks like the plug illustrated in (Fig. A). A temporary adaptor that looks like the adaptor illustrated in (Fig. B & C) may be used to connect this plug to a 2-pole receptacle as shown in (Fig. B) if a properly grounded outlet is not available.

The temporary adaptor should be used only until a properly grounded outlet (Fig. A) can be installed by a qualified electrician. The green color rigid ear, lug or the like extending from the adaptor must be connected to a permanent ground such as a properly grounded outlet box cover. Whenever the adaptor is used, it must be held in place by a metal screw (Fig. C).



**Further safety instructions concerning operating and maintenance are detailed in the relevant sections and must be complied with!**

## 3. Operating

### 3.1 Safety instructions

- Whilst in operation, caution is to be exercised in respect to third parties, especially children.
- To avoid injuries, wear sturdy footwear.
- When cleaning and servicing the machine or changing parts, disconnect power cord.

- The machine must never be left unsupervised when connected.
- Make sure that the power cord is always in proper condition.

**Warning:** Ensure that the power cord is not damaged by being run over, crushed or dragged along.

### 3.2 Operation, Preparation

Make sure that the voltage indicated on the identification plate is the same as that available in the building and that the socket has an earth wire. The machine is to be connected to a 110V, 15A outlet. Depending on the location to be used, attach the machine with the applicable accessories. Because of the two wheels the transport of the machine is easy even over stairs.

### NOTE:

When used as a wet vacuum the float (15) must always be inserted into the recovery/water tank before machine is put in operation.

### 3.3 Preparation for usage with squeegee wand

- Connect vacuum hose (15/27) to vacuum hose connector (9) on the tank (6).
- Assemble 2-piece (19) and attach to vacuum hose (18).
- Connect squeegee tool (21) to wand (19) and then machine is ready to use.

### 3.4 Preparation for usage with front-mount squeegee

- Place tank (6) with attached motor head (1) onto the tipping dolley (13).
- Slide front-mount squeegee holder onto holder on the dolley.
- Adjust with horizontal screw knob.
- Adjust the height of the squeegee blades with the height-adjustment screw.
- Attach vacuum hose to the front-mount squeegee and attach to connector on tank.
- Plug in power cord.
- Machine is ready to use.

### 3.5 Transform into dry vacuum cleaner

- Detach motor head (1) from the tank (6).
- Remove float assy. (14) and replace with pan filter (26).
- For hygienic reasons it is recommended to also insert a paper filter bag.
- Never use as dry vacuum without the pan filter (26).
- Attach motor head (1) to tank and fasten latch (4).
- Attach suitable accessory to vacuum hose and wand.

### 3.6 Operation

- Plug power cord into proper outlet.
- Turn machine on with on/off switch.

### 3.7 Emptying the tank

- Turn of machine with on/off switch and unplug power cord.
- After finishing the job move machine to a water disposal area or restroom.
- Release latch (4) and remove motor head (1).
- Remove float assy. (14).
- Drain tank by tilting backwards and emptying waste water into disposal.
- Re-attach vacuum hose (14/9) to connector (8), replace float assy. (14) and motor head (1) and close latch (4). Machine is now ready for use again.

### 3.8 Emptying the tank with drain hose

- Turn of machine with on/off switch and unplug power cord.
- After finishing the job move machine to a water disposal area or restroom.
- Take drain hose (7) out of holder.
- Unscrew cap.
- Drain into waste disposal/bucket/etc.
- Screw cap back onto drain hose. **Make sure it's screwed on airtight.**

## 4. Maintenance

### 4.1. Safety instructions

- ★ When cleaning and servicing the machine or changing parts, always unplug the power cord.
- ★ The machine must not be cleaned with high pressure steam cleaners or powerful liquid jets.
- ★ For reparations use only original spare parts.

**Important:** Before commencing any maintenance work, switch of the machine and unplug power cord.

- Place motor head carefully and properly onto tank to ensure tightness.
- On a regular basis check the gaskets for wear and tear.
- Always clean machine, wheels, etc. after each use.
- Also clean inside the tank including float assy. after each use.
- Dry (!) clean pan filter cloth on a regular basis.

## 5. Corrective maintenance

We recommend that repairs and inspections are carried out by an authorized service agent.

## 6. Storage

If the machine is not being used, it is to be cooled and stored dry and under normal room conditions (not under 0°C).

## 7. Disposal

Disposal of packaging must take place according to national regulations.

## New Machine Warranty



**1. Limited Warranty.** These terms and conditions of the New Machine Warranty are a material part of the agreement between Buyer and Cleanfix Cleaning Systems Inc., a New Jersey-based corporation (hereinafter "Cleanfix"), and supersede warranty terms and conditions in documentation submitted by Buyer to Cleanfix. Cleanfix warrants new machines of its manufacture against defects in material and workmanship under normal use and service to the original end-user purchaser. No person, agent, representative or distributor is authorized to give any warranties on behalf of Cleanfix, or to assume any other liability for Cleanfix in connection with any Cleanfix machine. Cleanfix reserves the right to make changes to its equipment without notice. The warranty coverage is subject to the conditions below.

**2. Registration of Warranty.** The warranty commences on the date of purchase by the original end-user from an authorized Cleanfix distributor or agent, subject to proof of purchase. The warranty commences latest, however, after six (6) months of the purchase date by the authorized distributor or agent of Cleanfix. Any new Cleanfix machine must be registered immediately with Cleanfix by the original end-user customer by fully completing and returning the warranty registration form to Cleanfix. If proof of purchase cannot be identified through a completed and returned warranty registration form, the warranty commences from the date of sale to the authorized Cleanfix distributor.

**3. Warranty Coverage.** Subject to conditions outlined below, Cleanfix warrants rotationally molded PE housings and tanks on all of its machines to be free from defects in material and workmanship, under normal use and service for ten (10) years to the original end-user.

Subject to conditions outlined below, Cleanfix warrants fiberglass housings and tanks on all of its machines to be free from defects in material and workmanship, under normal use and service for three (3) years to the original end-user.

Under this warranty Cleanfix warrants the performance of non-polyethylene and non-fiberglass components to be free from defects and workmanship for up to one (1) year to the original end-user. Parts replaced or repaired under this warranty are warranted for the remainder of the original warranty period. (See table below)

Rotationally molded PE housings and tanks	10 years
Fiberglass housings and tanks	3 years
Vacuum motors, brush motors, pump motors, boards and electronics	1 year
Battery and battery charger*	1 year

\* The 1 year period warranty commences with the purchase date by the authorized distributor or agent of Cleanfix.

Service labor charges are covered for up to one (1) year from the date of purchase through an authorized Cleanfix service provider. A total maximum of one (1) hour travel time - equal to one (1) hour labor rate - is covered for large machines, namely Falcon, Raven, Eagle and larger for 90 days. No coverage is extended for diagnosis time.

**4. Product Exceptions and Exclusions.** ALL vacuum cleaners and air movers are warranted for one (1) year. No warranty is extended for wear items, accessories and attachments including, but not limited to, belts, brushes, pad holders, capacitors, carbon brushes, wheels, casters, glides, clutches, cords, filters, filter bags, gaskets, hoses, rectifiers, switches, float switches, valves, squeegees, bearings, pulleys, relays, actuating cables, wheels, tires, vacuum cleaner attachments.

The purchaser is assured that meticulous care has been exercised in the selection, assembling and testing of these parts and components before shipping. No warranty is extended for machine finish, labels and other cosmetic parts or features.

**5. Stated Warranties.** Stated warranties are in lieu of all other warranties, expressed or implied. Any statutory implied warranties, including any warranty of merchantability or fitness for a particular purpose, are expressly limited to the duration of the written warranty. Cleanfix will not be liable for any other damages, including but not limited to incidental, indirect or special consequential damages arising out of or in connection with the furnishing, performance, use or inability to use the machine, including damages to persons or property. This remedy shall be the exclusive remedy of the buyer. The warranty is limited to the warranty.

### 6. Warranty is null and void for the following.

- Damage, defects, malfunction or other failures caused by not using the electric current indicated on the spec plate, including the use of improper extension cords.
- Damage or defect caused by accident, misuse, neglect, abuse, fire etc., including use of incompatible or corrosive chemicals or overloading of capacity.
- Failure caused by lack of proper maintenance and care, including proper machine clean-up after use, proper charging procedures for batteries.
- Failure caused by loss, damage or removal of protective components, including, but not limited to, filters and filter screens, tank covers and lids, skirts and bumpers, float shut-off assemblies.
- Freezing of any water or chemical related components (this will void all warranties on water or chemical related components, internal or external, of the product).
- Deposits and buildup in any water or chemical related systems due to hardness in water (this will void all warranties on affected systems).
- Any design alterations, adjustments and/or repairs performed on the equipment by an organization not authorized or specified by Cleanfix.
- Use of any parts not approved by Cleanfix, including, but not limited to, batteries, battery charger, filter bags, belts, electric components, motors.
- Use of machine for a purpose other than which it was designed and intended, and use of machine in excess of design duration.
- Damage in transit.

**7. Warranty Claim Procedure.** If a difficulty develops during the specified warranty period, contact the authorized Cleanfix distributor/partner from whom the machine was originally purchased. Do not return any products to Cleanfix unless explicitly authorized by Cleanfix. Cleanfix may elect to require the return of the machine or component(s) to validate the claim. Any defective machine or component to be returned must be shipped freight pre-paid to an authorized Cleanfix distributor/service center.

Cleanfix will provide and charge for replacement parts, including shipping and handling, to the original purchaser through an authorized service center. If the part is returned within 30 days and is found defective, the purchaser will be credited for the cost of the replacement part including shipping and handling.

**8. Term.** This warranty is valid for all products sold after January 1, 2006. A product sold before that date will be covered by the limited warranty in effect at the date of sale to the original purchaser.