

UltraClean™ HEPA Filter

WARRANTY • OPERATING PROCEDURES • SAFETY • MAINTENANCE

DRI-EAZ PRODUCTS, INC. 15180 Josh Wilson Road • Burlington, WA 98233 Phone (360) 757-7776 • Fax (360) 757-7950 • www.dri-eaz.com

Congratulations on your selection of a new Ultra-Clean HEPA Filter from Dri-Eaz Products. It is our goal to offer you the best available products and tools for restorative drying. We invite your written appraisal and suggestions for improvements. Reading this information will help you achieve maximum benefit from this tool.

WARRANTY

FILL OUT WARRANTY CARD: Please stop before proceeding and fill out the warranty card.

INSPECT ON ARRIVAL: When your Dri-Eaz product arrives, check immediately for signs of shipping damage. If you notice damage, save the shipping carton for claim purposes, and immediately report the problem to your supplier and the shipping company. Also, save the carton for shipping in case your product ever needs repair at a remote location.

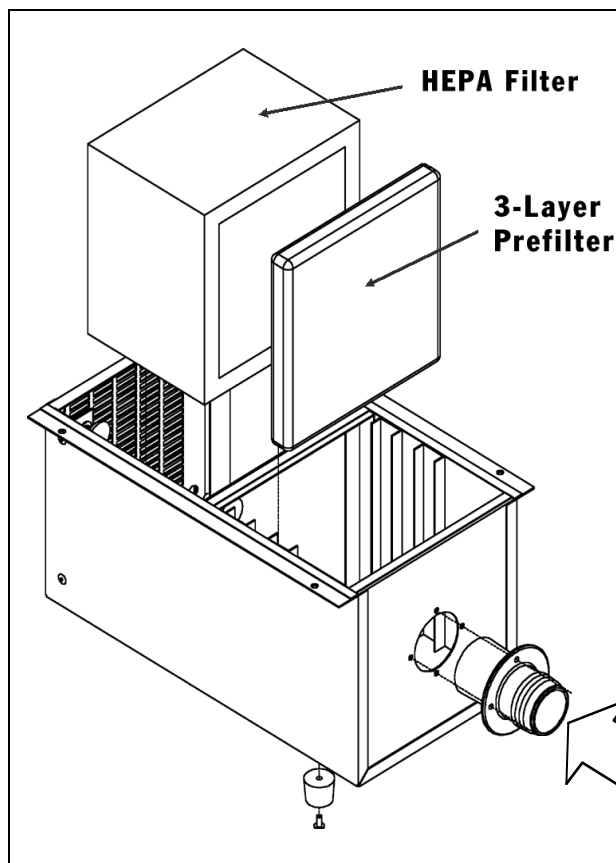
Dri-Eaz promises, to the original purchaser, to perform the following as needed to correct defects in materials and workmanship:

1 Year on Parts and Labor: Cover parts and labor costs for the repair of a Dri-Eaz Airmover, Dehumidifier, Instrument, Accessory, and other product except Marketing Products, for a period of one year from the date of purchase.

90 Days on Shipping: Cover shipping costs for the repair of a Dri-Eaz Airmover, Dehumidifier, Instrument, Accessory, or other product except Marketing Products, both to and from the Service Center, for a period of 90 days from the date of purchase.

LIMITATIONS: This warranty shall not extend to any products showing effects of misuse, accident damage, disassembly, alteration, lack of proper maintenance, corrosive chemicals, improper voltage, unauthorized repairs, use of other than genuine parts and materials, fire, flood, normal wear and tear, or any other causes beyond Dri-Eaz Products' control. The warranty obligation extends only to the repairs or replacement of parts found, upon Dri-Eaz Products' examination, to be defective. The foregoing constitutes the entire warranty and no other warranty, liability, contingency or responsibility, direct, indirect, consequential or in any way connected with the sale or operation of products is expressed or implied.

TO RECEIVE WARRANTY SERVICE: You must write or call for a Return Authorization. You must have the serial number available. The Dri-Eaz Service Department must authorize all costs, including shipping, for any Service Centers world-wide. Please direct questions to an authorized distributor, or to Dri-Eaz at (360) 757-7776, extension 238.



Arrow shows direction of airflow. The UltraClean comes standard with one 8x8x6-inch HEPA Filter and one 8x8x1 Pre-filter.

THE ULTRACLEAN HEPA FILTER

The UltraClean HEPA Filter is an air-cleaning unit for use with the DriForce InterAir Drying System. (It will also work with other structural-drying machines.) The UltraClean is specifically designed to remove unhealthy materials that may be present in air being extracted or pulled from wet walls and other structural cavities by the DriForce InterAir Drying System.

OPERATING PROCEDURES

UltraClean Benefits on Restorative Drying Jobs

When the DriForce is used to dry walls and other structural cavities by extracting in vacuum mode – that is, pulling air out of structural cavities, rather than pushing air into them – it is recommended that you do not exhaust the extracted air into occupied areas.

This is because the extracted air may contain allergens, mold spores, bacterial byproducts, pollen, dust, dust mites, and other particles that should not be breathed. These particles may cause allergic reactions in some sensitive persons and, as always in restorative drying, their presence on a job should be kept to a minimum when possible.

The UltraClean removes particles by filtering them out of the air. The unit contains a HEPA (High Efficiency Particulate Arresting) filter capable of trapping 99.7% of airborne particles down to a size of 0.3 microns.

Setup

Set up the DriForce in the standard mode for vacuuming air from walls or other structural cavities. Attach the UltraClean to the output fitting (the fitting where the airstream is blowing out into the room) using a short section of 1.5" ADS vacuum hose supplied with the DriForce.

Keep the UltraClean connected whenever the DriForce is in vacuum mode. When the DriForce is in pressure mode, forcing air into wall cavities, it is not necessary to use the UltraClean.

Remove the lid of the UltraClean, and insert a clean HEPA Filter and one pre-filter. Be certain to use the pre-filter during operation. It keeps larger particles out of the HEPA filter that can shorten its life.

Activated Carbon Filter

The UltraClean can also be used to remove VOCs (volatile organic compounds) from the air being extracted by the DriForce, by adding an Activated Carbon Filter. VOCs are a common source of offensive odors, and may also contain allergenic substances.

Inserting Filters

The UltraClean has four filter slots, three narrow and one wide. In normal operation, only one of the slots is used. Place a pre-filter in any of the three narrow slots, and the HEPA filter in the wide slot.

When using an activated carbon filter, insert the filters in the following order: (1) pre-filter, (2) activated carbon filter, (3) pre-filter, (4) HEPA filter. That is, you place a second pre-filter between the carbon filter and the HEPA filter. This keeps carbon particles from blowing into the HEPA filter and reducing its life.

Filter Life and Replacement

The most simple and effective way to judge when the pre-filter or the HEPA filter are losing efficiency and need to be replaced is visual inspection. An even, thick layer of dust over the surface of the filter indicates the need for replacement.

After jobs where it is known or strongly suspected that contaminated air has been passed through the UltraClean, it is recommended that you change the HEPA filter before use on another job.

SAFETY

Dispose of used filters as ordinary trash. In cases of extreme contamination where hazardous waste protocols are being followed, follow those protocols for filter disposal.

MAINTENANCE

Maintenance of the UltraClean HEPA Filter requires only the replacement of filters as required, and cleaning of the housing. Blow off any dust, wipe down, and keep shined.

**For Parts and Information, Please Contact:
The Dri-Eaz Service Department
(360) 757-7776**