

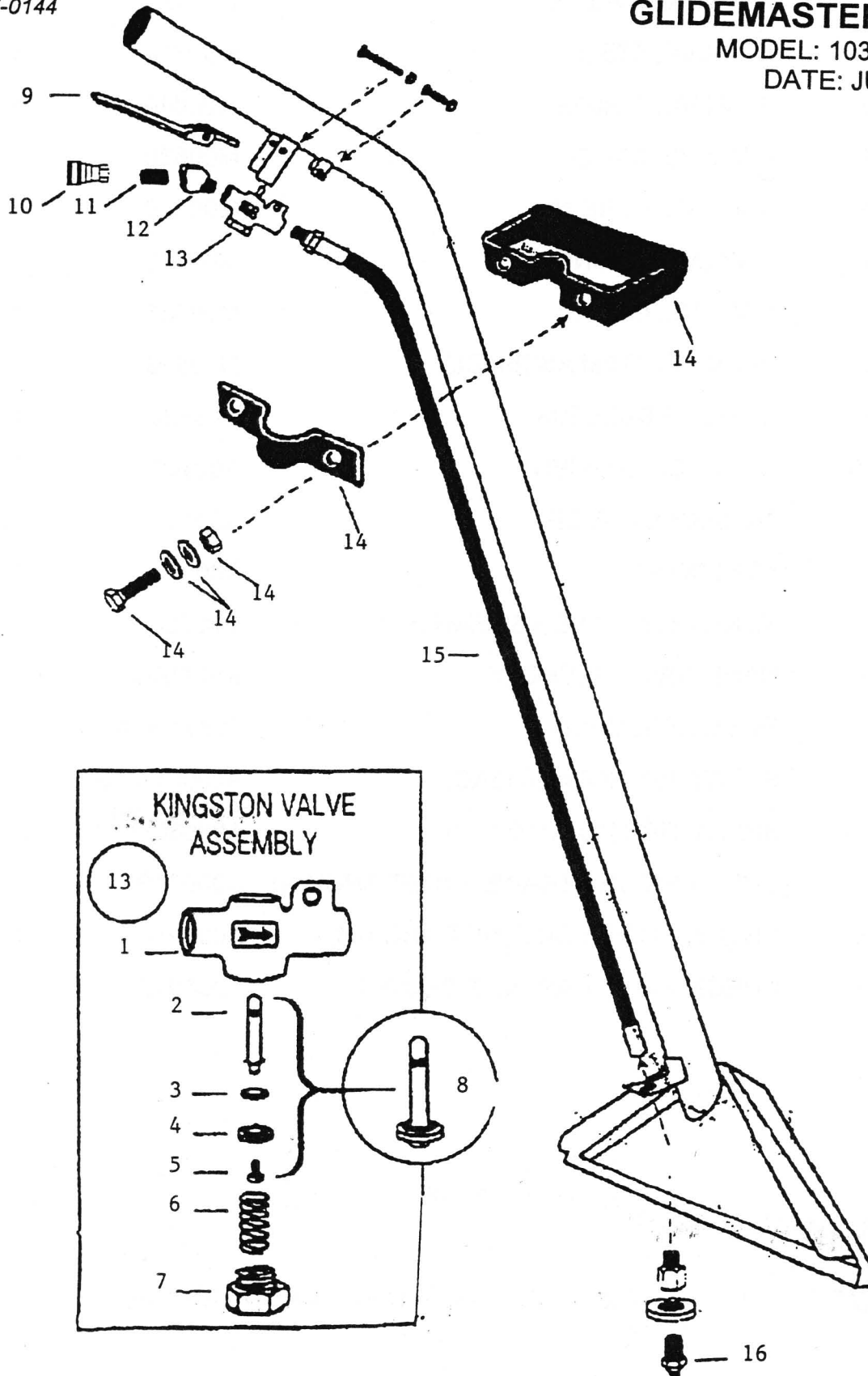


1753 Blake Avenue
Los Angeles, California 90031-1006
Telephone 323/660-1635
1-800-338-EDIC
Fax 323/667-0144

PARTS LIST GLIDEMASTER WANDS

MODEL: 1033AC/1034AC

DATE: JULY 20, 1998



**1033AC/1034AC GLIDEMASTER WAND
PARTS LIST**

ITEM #	DESCRIPTION	PART NO.	QTY
1	KINGSTON VALVE	G00526	1
2	K-VALVE, STEM	M00834	1
3	K-VALVE, O-RING	M00840	1
4	K-VALVE, CAGE	M00839	1
5	K-VALVE, SCREW	M00838	1
6	K-VALVE, SPRING	M00835	1
7	K-VALVE, CAP	M00833	1
8	K-VALVE, STEM ASSEMBLY	M00836	1
9	LEVER, STAINLESS	D03424	1
10	QUICK DISCONNECT	A00102	1
11	1/4 CLOSE NIPPLE	A00111	1
12	45 ELBOW	A00053	1
* 13	KINGSTONS VALVE ASSEMBLY	G00526	1
14	HAND GRIP ASSEMBLY	81033AC	1
15	HOSE ASSEMBLY	00601-47A	1
16	SPRAY TIP 11006 (1033AC)	A00094A-15	1
16A	SPRAY TIP 11003 (1034AC)	A00094A-11	2
17	CHECK VALVE STRAINER (NOT SHOWN)	A00094B	1
18	CHECK VALVE BODY (NOT SHOWN)	A00094C	1
19	CHECK VALVE CAP (NOT SHOWN)	A00094D	1

1034AC - tip A00094A-9

** G00526-1 - K valve replaces CMP Valve*