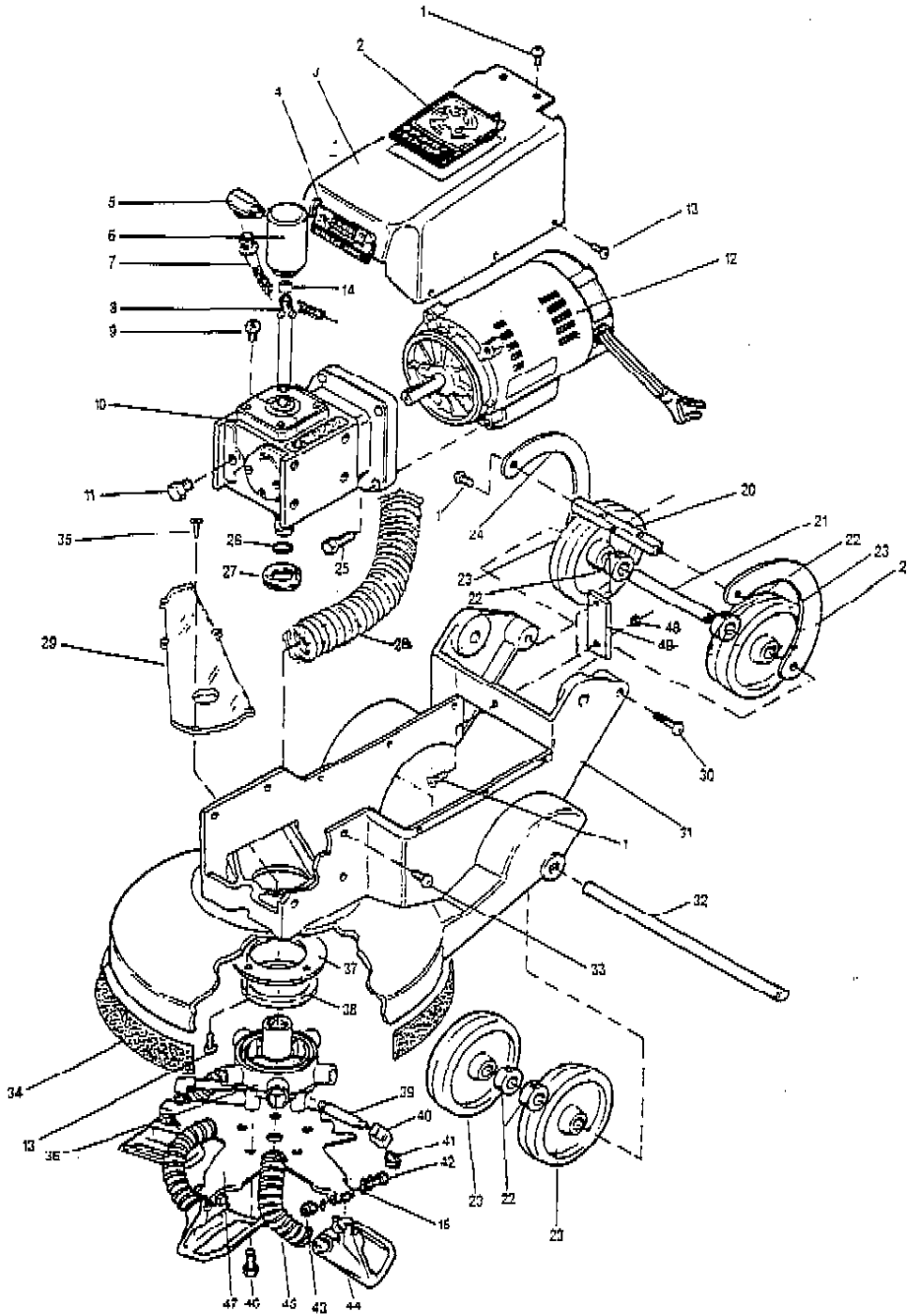
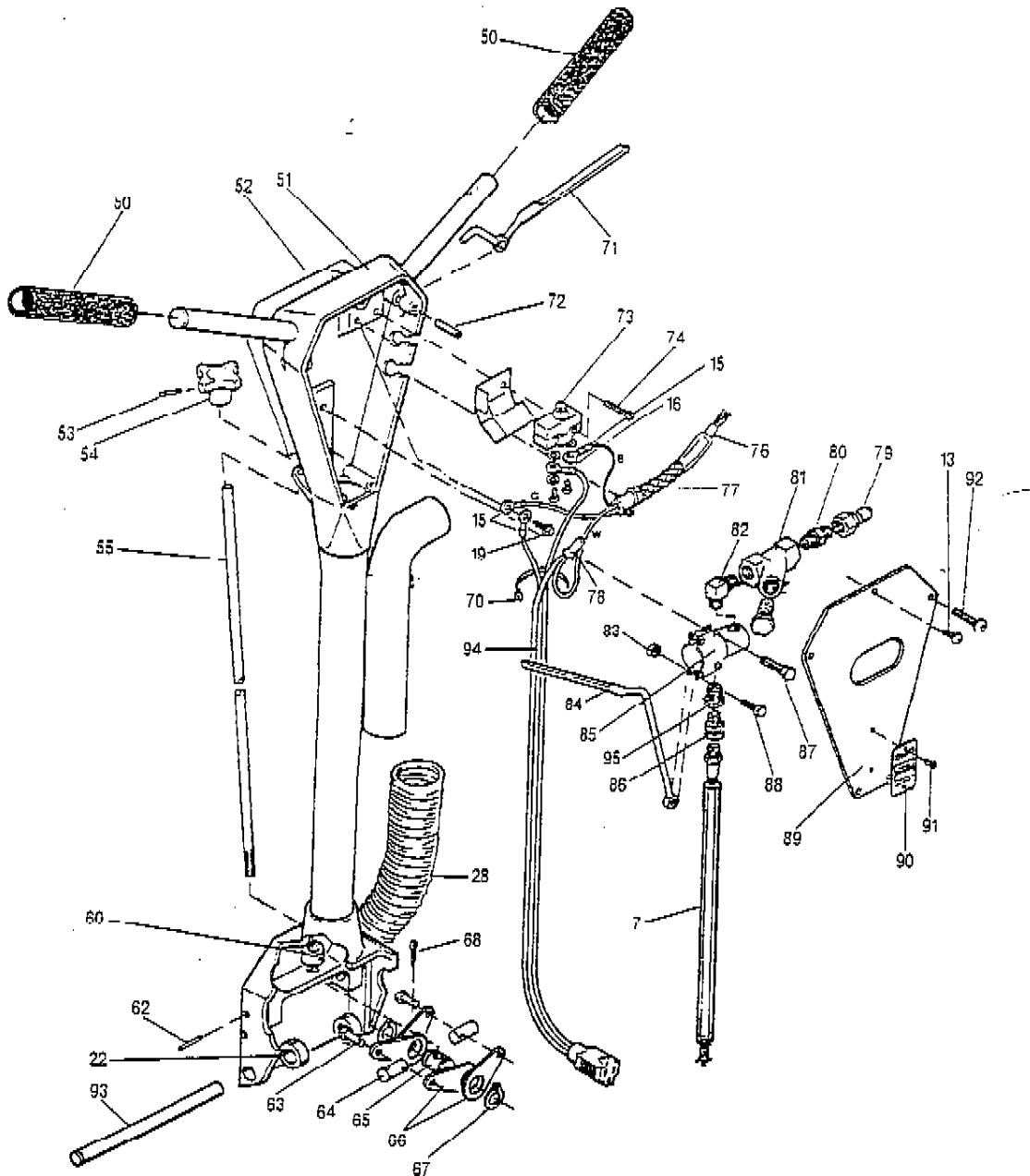


RX-20 / CMX-20

REGULAR RX-20 BASE ASSEMBLY



REGULAR RX-20 HANDLE ASSEMBLY

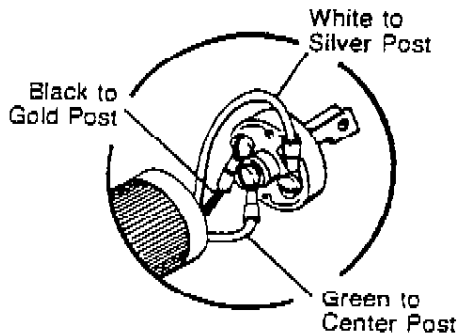


RX-20 / CMX-20

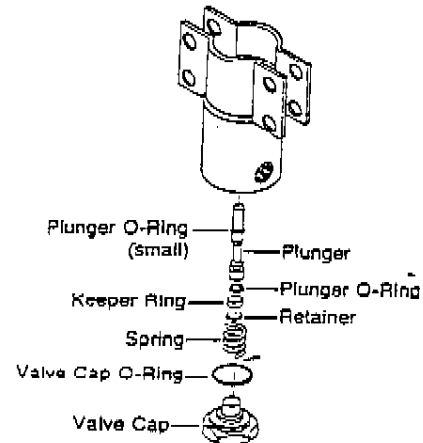
Page 13

**TWIST-LOCK PLUG
WIRING DIAGRAM**

Item No. 75

**VALVE ASSEMBLY**

Item No. 85

**REGULAR RX-20 PARTS**

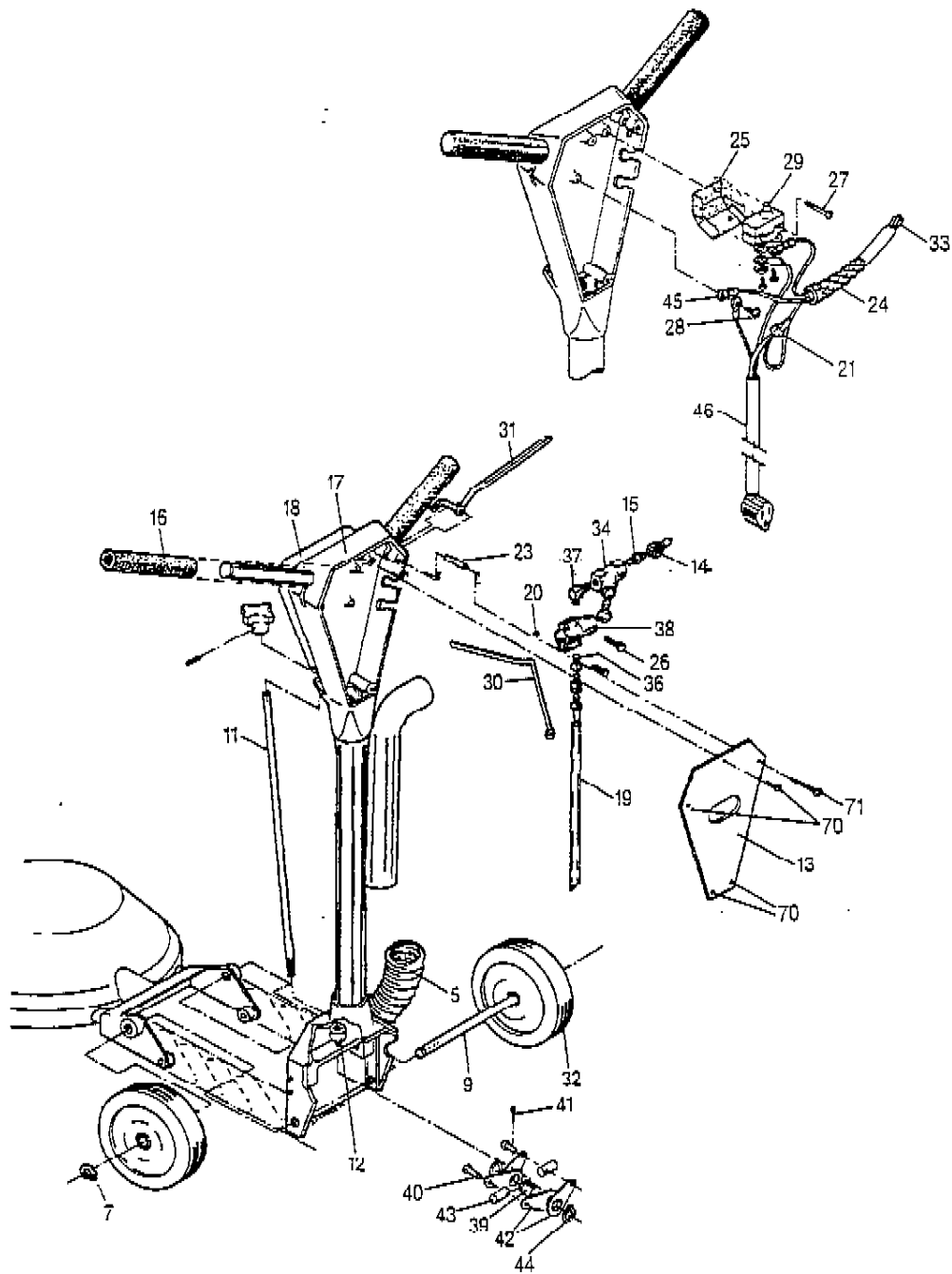
ITEM NO	PART NO	DESCRIPTION	QTY
1	000-143-132	Screw, 10-24 x 3/4" HHC s/s	2
2	000-081-001	Label, RX-20 Machine (3 pc set)	1
3	000-041-026	Cover, RX-20 Motor	1
4	000-081-001	Label, RX-20 Machine (3 pc set)	1
5	000-052-002	2MA - 2UFS	1
6	000-052-276	Rotary Union, 1/8" NPT	1
7	000-068-175	Hose, Solution Valve to Rotary Union	1
8	000-052-296	Nipple, Brass RX Gearbox Extention	1
9	000-106-014	Plug, RX-20 Gearbox Vent	1
10	000-107-091	RX-20 Gearbox	1
11	000-106-001	Plug, 1/8" Brass	1
12	604-052-007	RX-20 Electric Motor Assembly	1
13	000-143-166	Screw, 10-24 x 3/8" BTN HD Cap s/s	14
14	000-052-288	Coupler, 1/8" Machined Rotary Union Fitting	1
15	000-174-049	Washer, 5/16" s/s Flat	3
19	000-143-118	Screw, #8 x 1/2" HXWSHD SM	2
20	000-015-066	Bracket, RX-20 Hood Wrinkle Black	1

ITEM NO	PART NO	DESCRIPTION	QTY
21	000-141-001	Axle, 5 1/2" Skid	1
22	000-020-005	Collar, 1/2" Set	6
23	000-177-002	Wheel, 5" Rubber	4
24	000-107-096	Handle Arc	2
25	000-143-018	Screw, 3/8-16 x 1" HHC	4
26	000-097-009	O-Ring, Cast Gearbox Shaft	1
27	000-154-013	Spacer, 1" RX-20 Gearbox Shaft	1
28	000-068-034	Hose, 2" Black Vacuum	2.834 Ft
29	000-041-017	Cover, Sight-Side Port	1
30	000-143-164	Screw, 5/16-18 x 2" BTN HD Cap s/s	2
31	000-006-008	Base, RX-20 Side Port	1
32	000-141-010	Axle, RX-20 Front Skid	1
33	000-143-142	Screw, 5/16-18 x 3/4" BTN HD Cap s/s	8
34	000-078-108	Kit, Roto Shroud Bumper and Rivet	1
35	000-143-114	Screw, 10-24 x 1/2" FHM Phillips s/s	4
36	000-107-022	Plastic RX-20 Vacuum Hub	1
37	000-105-008	Plate, Cast RX-20 Base - Seal	1
38	000-057-047	Gasket, RX-20 Felt Hub	1
39	000-052-080	Nipple, 1/8" x 4" Brass	5
40	000-052-089	Elbow, 1/8" Brass Female	5
41	000-076-037	Jet, H 1/2VV 80015 SS - STD	5
42	000-143-158	Screw, 5/16-18 x 1 1/4" HHC s/s	5
43	000-094-009	Nut, 1/4-20 s/s Nylock	5
44	000-064-012	Head, New RX Skid Assembly	5
45	000-068-174	Hose, Vac Hub/Skid	5
46	000-143-148	Screw, 5/16-18 x 1/2" HHCS s/s	5
47	000-107-089	Heat Treated Star, s/s	1
48	000-094-034	Nut, 10-24 s/s Nylock	2
49	000-015-078	Bracket, RX-20 Hood Support Complete	1
50	000-061-001	Handle, Foam Grip	2
51	000-061-016	Handle, RX-20	1
52	000-081-001	Label, RX-20 Machine (3 pc set)	1
53	000-103-014	Pin, 1/8 x 3/4 Roll	1
54	000-061-015	Knob, Adjusting	1
55	000-141-002	Rod Assembly, RX-20 Handle Adjusting	1
60	000-020-004	3/8" Set Collar	1
62	000-103-015	Pin, 5/32 x 1" Roll	4
63	000-103-012	Pin, 1/4 x 7/8" Clevis	2
64	000-107-101	Plunger	2

RX-20 / CMX-20**Page 15**

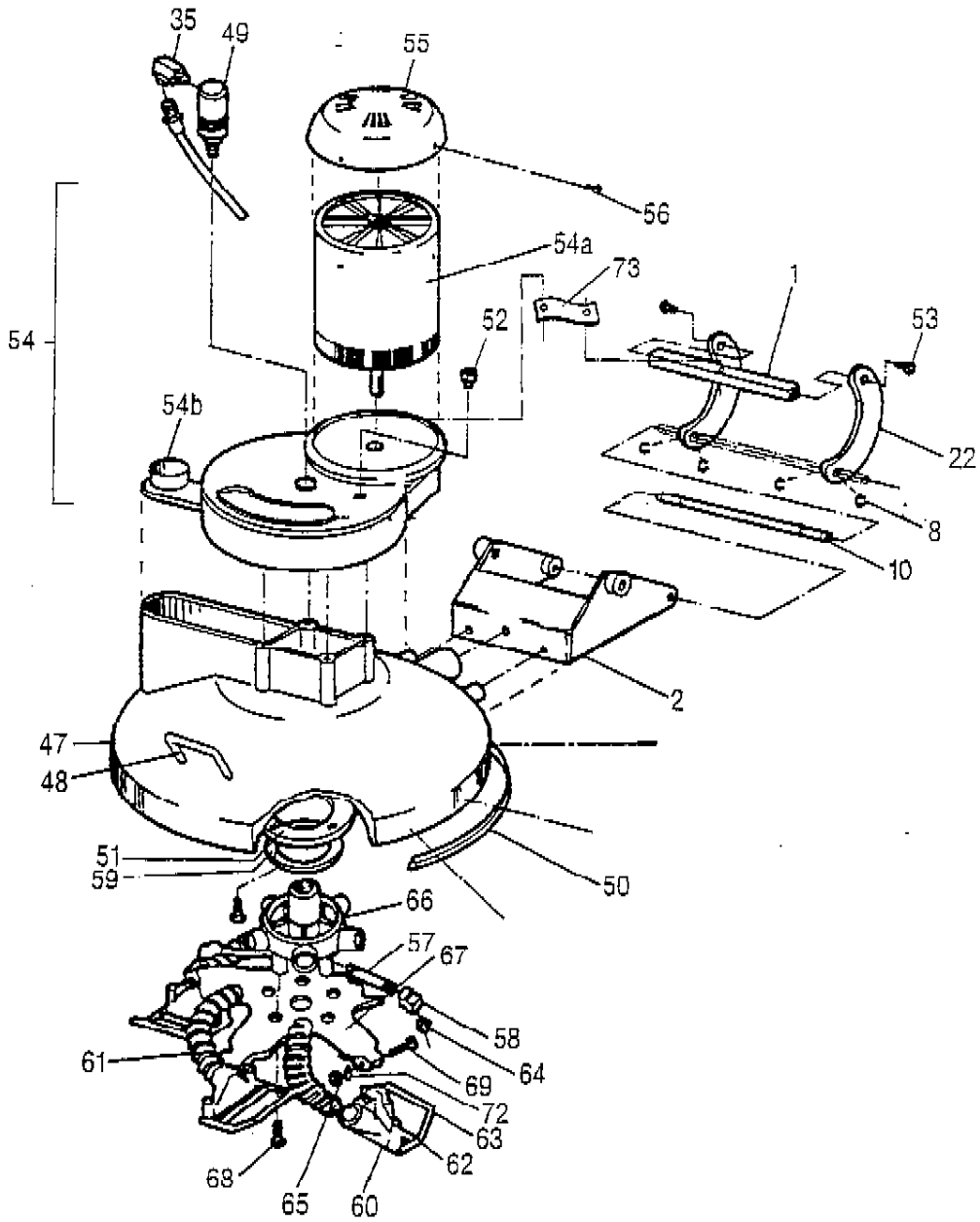
ITEM NO	PART NO	DESCRIPTION	QTY
65	000-094-030	Nut, Adjusting	1
66	000-107-097	Link	4
67	000-139-006	Ring, 5/8" Snap	2
68	000-103-013	Pin, 3/32 x 1/2" s/s Cotter	2
70	000-162-001	Tie Wrap, 4" Nylon	1
71	000-167-010	Trigger, RX-20 Power	1
72	000-107-103	Trigger, Pivot	1
73	000-157-032	Switch, Micro	1
74	000-143-048	Screw, 6-32 x 1" Pan Head	2
76	000-178-004	Card, 14/3 x 50' Gray - Power	1
77	000-108-012	Protector, Power Cord Relief Grip	1
78	000 094 021	Wire Nut, Yellow	1
79	000-052-050	Quick Connect, 440 Male with Viton	1
80	000-052-071	Nipple, 1/4 Brass Hex	1
81	000-049-033	Filter, 1/4" Inline Y	1
82	000-052-301	Elbow, 1/4" Male x 1/4" Male	1
83	000-094-008	Nut, 1/4 - 20 Hex	1
84	000-167-009	Trigger, o/s RX-20 Brass Solution Valve	1
85	000-169-058	Valve, s/s HM Solution	1
86	000-052-001	2M - 2UFS	1
87	000-143-005	Screw, 1/4-20 x 1 1/4" HHC	2
88	000-143-002	Screw, 1/4-20 x 1" HHC s/s	1
89	000-041-013	Cover, Handle Access	1
90	000-105-018	Plate, RX-20 Serial ID	1
91	000-140-001	Rivet, AB4 - 3A Pop	2
92	000-143-167	Screw, 10-24 x 1 1/4" BTN HD s/s	1
93	000-141-009	Rod, RX-20 Handle Pivot	1
94	604-051-003	Internal Wire Harness	1
95	000-052-059	Bushing, 1/4M x 1/8F Brass	1
Not Shown:	000-094-036	Nut, 1/2" NPT Pipe Plastic Used with Item No. 77	1

HIGH SPEED RX-20 HANDLE ASSEMBLY



RX-20 / CMX-20

HIGH SPEED RX-20 BASE ASSEMBLY



HIGH SPEED RX-20 PARTS

ITEM NO	PART NO	DESCRIPTION	QTY
1	000-015-066	Bracket, RX-20 Hood Wrinkle Black	1
2	000-015-139	Bracket, Hi Speed RX Handle Brace	1
5	000-068-040	Hose, Base Out - Manifold	1
7	000-139-009	Ring, Snap Ring (E-Clip) x 1/2"	2
8	000-139-010	Ring, Snap Ring (E-Clip) x 5/16"	4
9	000-141-004	Axle, Hi Speed RX Wheel	1
10	000-141-005	Rod, Hi Speed RX-20 Handle Arc	1
11	000-141-006	Rod Assy, Hi Speed RX Handle Adjusting	1
12	000-020-004	Collar, 3/8" Set	1
13	000-041-013	Cover, Handle Access	1
14	000-052-050	Quick Connect, 440 Male with Viton	1
15	000-052-071	Nipple, 1/4 Brass Hex	1
16	000-061-001	Handle, Foam Grip	2
17	000-061-017	Handle, Hi Speed RX-20	1
18	000-081-001	Label, RX-20 Machine (3 pc set)	1
19	000-068-175	Hose, Solution Valve to Rotary Union	1
20	000-094-010	Nut 1/4-20 s/s Hex	1
21	000-094-021	Nut, Wire - Yellow	1
22	000-107-096	Handle Arc	2
23	000-107-103	Trigger Pivot	1
24	000-108-012	Protector, Power Cord Relief Grip	1
25	000-108-014	Shield, RX-20 Micro Switch	1
26	000-143-002	Screw, 1/4-20 x 1" HHC s/s	3
27	000-143-048	Screw, 6-32 x 1" Rnd HD Mach s/s	2
28	000-143-336	Screw, 10-32 x 1/4" s/s Pan Head	1
29	000-157-032	Switch, Micro	1
30	000-167-009	Trigger, o/s RX-20 Brass Solution Valve	1
31	000-167-010	Trigger, RX-20 Power	1
32	000-177-001	Wheel, 8" Hi Speed RX-20	2
33	000-178-004	Cord, 14/3 x 50' Gray - Power	1
34	000-049-033	Filter, 3/8" Inline Y	1
35	000-052-001	2M - 2UFS	1
36	000-052-059	Bushing, 1/4 M x 1/8 F Brass	1
37	000-052-301	Elbow, 1/4" Male x 1/4" Male	1
38	000-169-058	Valve, s/s HM Solution	1
39	000-094-030	Nut, Adjusting	1

RX-20 / CMX-20**Page 19**

ITEM NO	PART NO	DESCRIPTION	QTY
40	000-103-012	Pin, ¼ x 7/8" Clevis	2
41	000-103-013	Pin, 3/32 x ½" s/s Cotter - RX	2
42	000-107-097	Link	4
43	000-107-101	Plunger	2
44	000-139-006	Ring, 5/8" Snap	2
45	000-037-016	Terminal, #10 Ring - 16 AWG	1
46	000-178-039	Cord, 14/3 x 6' Gray	1
47	000-006 009	Base, Hi Speed RX-20	1
48	000-061-027	Handle, RX Express Base - Lift	1
49	000-052-276	Rotary Union, ½" NPT	1
50	000-078-108	Kit, Roto Shroud Bumper and Rivet	1
51	000-105-008	Plate, Cast RX-20 Base - Seal	1
52	000-106-014	Plug, RX-20 Gearbox Vent	1
53	000-143-166	Screw, 10-24 x ¾" s/s BTN HD Cap	2
54	604-052-005	Hi Spd RX-20 Motor/Gearbox Assy	1
54A	604-052-006	Hi Spd RX-20 Elect Motor Assy	1
54B	000-059-001	Gearbox Complete, Spur	1
55	000-041-123	Cover, ½ HP TEFC Motor	1
56	000-143-096	Screw, ¾ 16 x ¾" s/s BTN HD:	3
57	000-052-080	Nipple, ½" x 4" Brass	5
58	000-052-089	Elbow, ½" Brass Female	5
59	000-057-047	Gasket, RX-20 Felt Hub	1
60	000-064-012	Head, New RX Skid Assembly Complete	5
61	000-068-174	Hose, Vac Hub/Skid	1
62	000-064-011	Head, New RX Cast Skid-Weldment	1
63	000-107-095	Skid Bottom, New Style RX Shoe	1
64	000-076-037	Jet, H 1/8VV 80015 SS-STD	5
65	000-094-009	Nut, 5/16-18 s/s Nylock Half	5
66	000-107-020	Double Thread RX Vacuum Hub	1
67	000-107-089	S/S Heat Treated Star	1
68	000-143-012	Screw, 5/16-18 x ¾" s/s HHC	5
69	000-143-162	Screw, 5/16 x 1" Stripper - ¼-20 s/s	5
70	000-143-166	Screw, 10-24 x ¾" s/s BTN HD Cap	4
71	000-143-065	Screw, 10-24 x 1 ¾" s/s BTN HD Cap	5
72	000-174-049	Washer, 5/16" s/s Flat	3
73	000-015-009	Bracket, Hi Speed RX Handle Brace	1
Not Shown:	000-094-036	Nut, ½" NPT Pipe Plastic Used with Item No. 24	1

Page 20**RX-20 / CMX-20**

ITEM NO	PART NO	DESCRIPTION	QTY
	000-143-096	Screw, 3/8 - 16 x 1" HHC s/s Used with Item No. 54	3
	000-174-055	Washer, Latch Pivot Used with Item No. 54	3
	000-174-057	Washer, 3/8" s/s Lock Used with Item No. 54	3