

**SERVICE MANUAL
PARTS LIST**

WET / DRY VACUUM CLEANER

MODELS:

**PV-3000 LR
PV-3000 GR
DV3**

120 V~ 50/60 Hz 3.4 Amp

INDEX

	PAGE
I.- OPERATING TEST	3
II.- REPLACEMENT PROCEDURES	3
III.- TROUBLE SHOOTING CHART	4
IV.- WIRING DIAGRAM	5
V.- VACUUM CLEANER ASSEMBLY	6
VI.- VACUUM CLEANER PARTS LIST	7

I.- OPERATING TEST

The vacuum cleaner can work from 105 to 135 V.

The current must be of 3 to 4 Amps.

There should be no abnormal noise or vibration, the carbon brushes spark should be small and uniform, and the commutator must have dark brown strip and uniform.

II.-REPLACEMENT PROCEDURES

1.- TO REPLACE MOTOR (7)

- 1.1.- Pull release tab outward, at the same time pull cover up.
- 1.2.- Remove the four screws (12).
- 1.3.- Remove the cover (4).
- 1.4.- Disconnect the line cord. (7-6E)
- 1.5.- Remove the six screws (9) and remove the motor assy (7)
- 1.6.- Replace the motor (7) reconnect and reassemble.

NOTE: Do not attempt to the repair motor send for service.

2.- TO REPLACE THE ON-OFF SWITCH (2)

- 2.1.- Follow steps 1.1 and 1.3.
 - 2.2.- Disconnect the two leads (2-2) from the switch (2).
- Remove the three screws (6) the screw (5) and remove the cover top (3-1) replace the on-off switch reconnect and reassemble.

3.- TO REPLACE THE LINE CORD (7-6E)

- 3.1.- Follow steps 1.1 and 1.3.
- 3.2.- Remove and replace the new line cord and reassemble as initially placed.

4.- TO REPLACE THE FLOAT (14)

- 4.1.- Follow step 1.1
- 4.2.- Remove the cage (15).
- 4.3.- Remove and replace the float (14)

III.- TROUBLE SHOOTING CHART

1.- MOTOR DOES NOT RUN

CAUSE	SOLUTION
Not firmly plugged	Check attachment plug
Bad on-off switch	Replace Switch
Line cord open	Replace cord
Motor Open	Replace motor

2.- LOW SUCTION

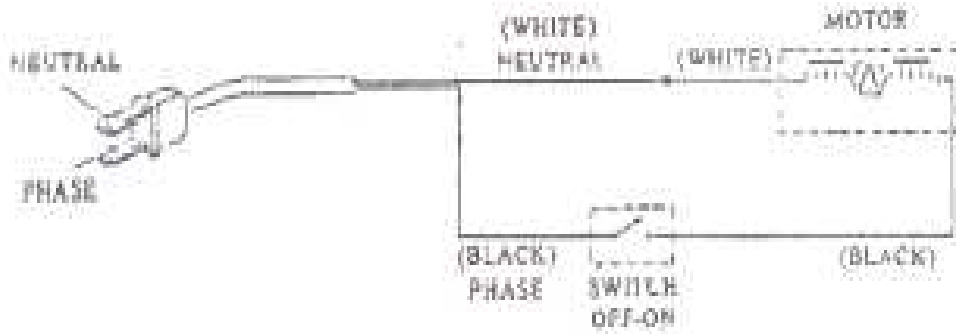
CAUSE	SOLUTION
Tank full	Empty tank
Hose or wand closed	Clean obstruction
Motor slow	Check carbon brushes
Filler is dirty	Replace filler

WHEN ORDERING ,DO NOT FORGET TO SPECIFY :

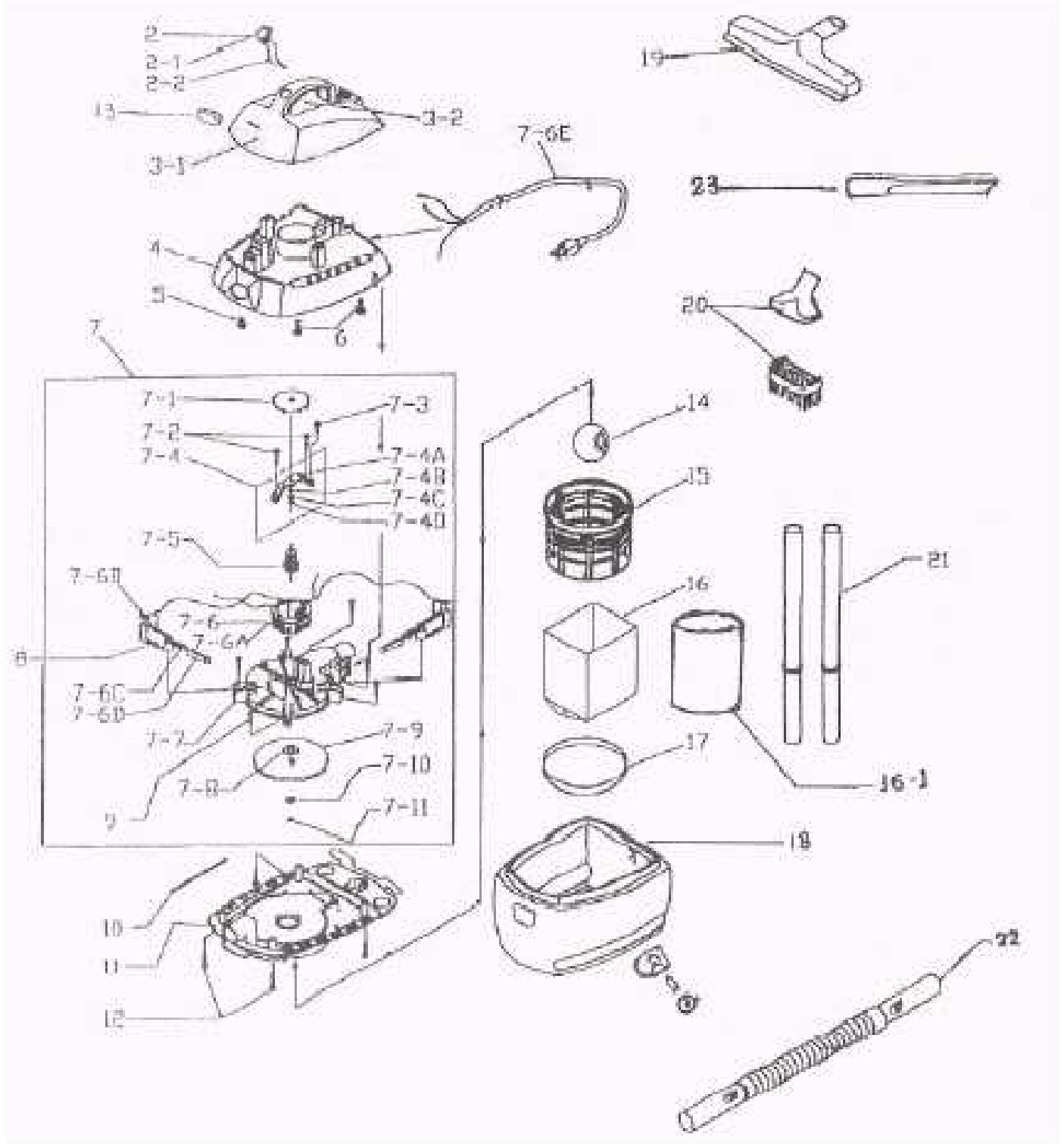
- ✓ **PART NUMBER**
- ✓ **DESCRIPTION**
- ✓ **MODEL NUMBER**

NOTE: Drawing numbers are for identification purposes only.

IV.- WIRING DIAGRAM



V.- VACUUM CLEANER ASSEMBLY



VI.-VACUUM CLEANER PARTS LIST

No.	PART No.	DESCRIPTION	DV3	PV3000 LR	PV 3000 GR
2	28-0976-2	SWITCH ON-OFF ASSY	1	1	1
2.1	11-0184-9	SWITCH ON-OFF	1	1	1
2.2	09-1128-9	LEAD BLACK	1	1	1
3.1	13-2750-1	COVER DWELLED		1	
3.1	13-2751-9	COVER GRAFFITO			1
3.1	13-2803-8	COVER HEAT TRANSFER	1		
3.2	13-2243-7	COVER HANDLE DWELLED		1	
3.2	13-2244-5	COVER HANDLE GRAFFITO			1
3.2	13-2799-8	COVER HANDLE	1		
4	13-2250-2	COVER LOWER DWELLED		1	
4	13-2251-0	COVER LOWER GRAFFITO			1
4	13-2254-4	COVER LOWER	1		
5	01-0266-5	SCREW # 4 x 3/8"	1	1	1
6	01-0063-6	SCREW # 6 x 1/2"	3	3	3
7	00-3849-7	MOTOR	1	1	1
7.6	28-1153-7	FIELD ASSY	1	1	1
7.6E	28-1349-1	POWER SUPPLY CORD	1	1	1
7.6E	28-1347-5	POWER SUPPLY CORD	1	1	1
11	13-2483-9	LID DWELLED		1	
11	13-2484-7	LID GRAFFITO			1
11	13-2259-3	LID BLUE	1		
12	01-0074-3	SCREW # 8 x 3/4"	4	4	4
14	82-5738-8	FLOAT	1	1	1
15	13-1991-2	CAGE	1	1	1
16	08-1924-3	PAPER FILTER	1	1	1
16-I	12-0696-0	FOAM FILTER	1	1	1
17	82-5623-2	RETAINER FILTER	1	1	1
18	46-2779-0	TANK ASSY PURPLE		1	
18	46-2846-7	TANK ASSY GRAFFITO			1
18	13-2801-2	TANK BLUE	1		
19	46-3000-0	PICK-UP TOOL	1		
19	46-2847-5	COMBINATION RUG/FLOOR TOOL		1	
19	46-2848-3	COMBINATION RUG/FLOOR TOOL			1
20	46-2849-1	UPHOLSTERY TOOL		1	
20	46-2850-9	UPHOLSTERY TOOL			1
20	13-2289-0	UPHOLSTERY TOOL BLUE	1		
21	13-2293-2	EXTENSION WANDS BLUE	2	2	
21	13-2294-0	EXTENSION WANDS GRAFFITO			2
22	45-0590-5	HOSE ASSY DWELLED		1	
22	45-0591-3	HOSE ASSY GRAFFITO			1
22	45-0578-0	HOSE ASSY	1		
23	13-2323-7	CREVICE TOOL			1
24	19-0442-4	USER MANUAL	1	1	1



FACTORY AUTHORIZED SERVICE

Thorne Electric Company
610 Lanark Suite 205
San Antonio TX, 78218
Tel (210) 590-1226
Fax (210) 590-1258
1-800-548-5741

FACTORY

Koblenz Electrica, S.A. de C.V.
Av. . Ciencia No 28 Cuautitlán Izcalli
Edo. de México, C.P. 54730
Tel : 5864-0300
Web site : <http://www.koblenz.electric.com>

KOBLENZ ELÉCTRICA S.A. DE C.V.
E-mail: servicio@koblenz-electric.com

LP-APVI500-200509

SERVICE