

**SERVICE MANUAL
PARTS LIST**

WET / DRY VACUUM CLEANER

MODELS:

**PV-100K
PV-250K
PV-3000BR
RT4-E
RT3-E**

INDEX

	PAGE
I.- OPERATING SYSTEM	3
II.- REPLACEMENT PROCEDURES	3
III.- TROUBLE SHOOTING CHART	4
IV.- WIRING DIAGRAM	5
V.- VACUUM CLEANER ASSEMBLY	6
VI.- VACUUM CLEANER PARTS LIST	7

I.- OPERATING SYSTEM

The vacuum cleaner can work from 105 to 135 V.

The current must be of 3 to 4 Amps.

There should be no abnormal noise or vibration, the carbon brushes spark should be small and uniform, and the commutator must have dark brown strip and uniform.

II.-REPLACEMENT PROCEDURES

1.- TO REPLACE MOTOR (10)

- 1.1.- Pull release tab outward, at the same time pull cover up.
- 1.2.- Remove the four screws (14).
- 1.3.- Remove the cover (7).
- 1.4.- Disconnect the line cord.
- 1.5.- Remove the six screws (11) and remove the motor assembly (10).
- 1.6.- Replace the motor (10) reconnect and reassemble.

NOTE: Do not attempt to the repair motor send for service.

2.- TO REPLACE THE ON-OFF SWITCH (2)

- 2.1.- Follow steps 1.1 and 1.3.
 - 2.2.- Disconnect the two leads from the switch (2).
- Remove the three screws (8) the screw (9) and remove the cover top (4) replace the on-off switch reconnect and reassemble.

3.- TO REPLACE THE LINE CORD

- 3.1.- Follow steps 1.1 and 1.3.
- 3.2.- Remove and replace the new line cord and reassemble as initially placed.

4.- TO REPLACE THE FLOAT (15)

- 4.1.- Follow steps 1.1
- 4.2.- Remove the cage (16).
- 4.3.- Remove and replace the float (15)

III.- TROUBLE SHOOTING CHART

1.- MOTOR DOES NOT RUN

CAUSE	SOLUTION
Not firmly plugged	Check attachment plug
Bad on-off switch	Replace Switch
Line cord open	Replace cord
Motor Open	Replace motor

2.- LOW SUCTION

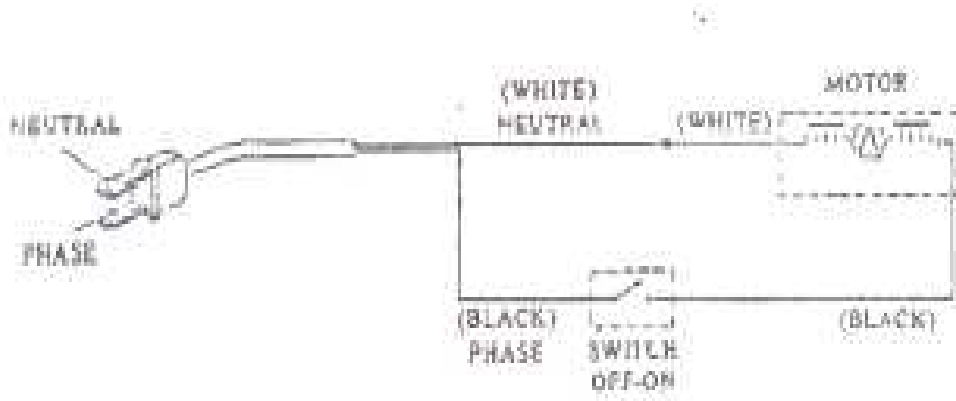
CAUSE	SOLUTION
Tank full	Empty tank
Hose or wand closed	Clean obstruction
Motor slow	Check carbon brushes
Filler is dirty	Replace filler

WHEN ORDERING ,DO NOT FORGET TO SPECIFY :

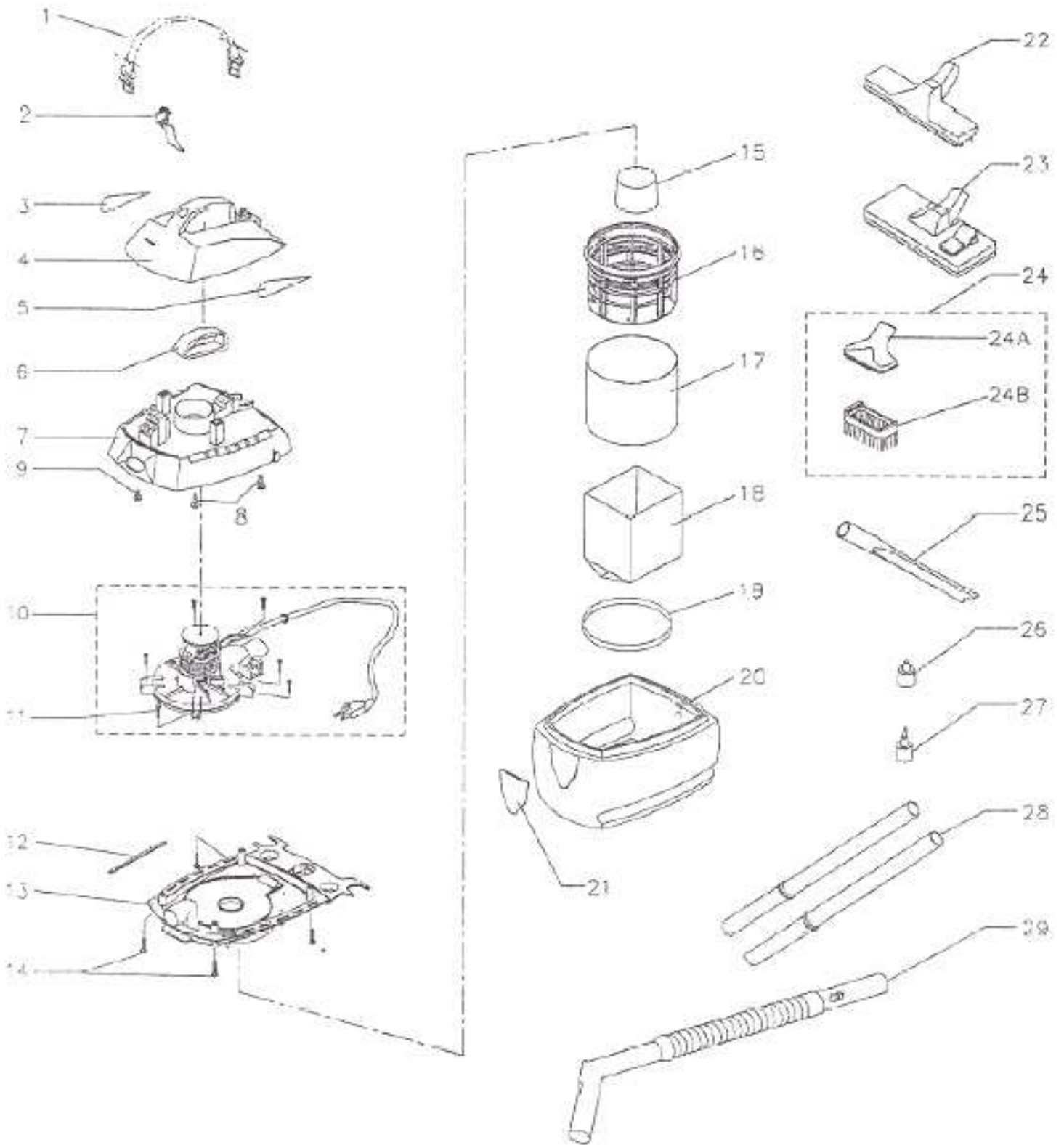
- ✓ **PART NUMBER**
- ✓ **DESCRIPTION**
- ✓ **MODEL NUMBER**

NOTE: Drawing numbers are for identification purposes only.

IV.- WIRING DIAGRAM



V.- VACUUM CLEANER ASSEMBLY



VI.-VACUUM CLEANER PARTS LIST

No.	PART. No.	DESCRIPTION	RT4-E	RT3-E	PV 250K	PV 100K	PV 3000BR
1	45-2429-01-7	SHOULDER STRAP GREY	1		1		
2	11-0184-9	SWITCH ON-OFF ASSEMBLY	1	1	1	1	1
4	13-2764-2	UPPER COVER GRAPHITE	1	1			
4	13-2770-01-7	UPPER COVER BLUE			1		
4	13-2770-02-5	UPPER COVER GREEN				1	
4	13-2770-03-3	UPPER COVER					1
6	13-2246-0	COVER HAN OLE GRAPHITE	1	1			
6	13-2242-01-7	COVER HAN OLE BLUE			1		
6	13-2242-02-5	COVER HAN OLE GREEN				1	
6	13-2799-8	COVER HAN OLE BLUE					1
7	13-2253-6	COVER LOWER YELLOW	1	1			
7	13-2251-01-0	COVER LOWER BLUE			1		
7	13-2250-02-8	COVER LOWER GREEN				1	
7	13-2254-4	COVER LOWER LILA					1
8	01-0063-6	SCREW#6x 1/2	3	3	3	3	3
9	01-0266-5	SCREW # 4 x 3/8	1	1	1	1	1
10	00-3849-7	ASSEMBLY MOTOR	1	1	1	1	1
10a	28-1455-6	LINE CORD	1		1		1
10a	28-1383-0	LINE CORD		1		1	
11	01-0293-9	SCREW	6	6	6	6	6
12	12-0819-8	SEAL LID	1	1	1	1	1
13	13-2483-9	LID YELLOW	1	1	1	1	
13	13-2259-3	LID L1LAC					1
14	01-0074-3	SCREW # 8 x 3/4	4	4	4	4	4
15	13-3079-4	FLOAT	1	1	1	1	1
16	13-1991-2	CAGE	1	1	1	1	1
17	12-0696-0	FOAM FILTER	1	1	1	1	1
18	08-1924-3	PAPER FILTER	2	2	2	2	2
19	45-0544-2	RETAINER FILTER	1	1	1	1	1
20	13-2763-4	TANK GRAPHITE	1	1			
20	13-1983-01-7	TANK BLUE			1		
20	13-1983-02-5	TANK GREEN				1	
20	46-2778-01-0	TANK ASSEMBLY BLUE					1
21	17-4406-9	LABEL	1	1			
21	17-04675-9	LABEL			1		1
21	17-4676-7	LABEL				1	
22	46-2755-0	FLOOR TOOL W/SQUEEGEE	1				
23	45-0602-8	COMBINATION FLOOR TOOL			1		1
24	46-2849-01-9	UPHOLSTERY TOOL					1
24-1	13-2287-4	PICK UP TOOL BLACK	1	1			
24-1	13-2289-01-8	PICK UP TOOL GREY				1	1
25	13-2320-3	CREVICE TOOL BLACK			1		
25	13-2322-01-7	CREVICE TOOL GREY				1	1
26	13-2662-8	INFLATOR NOZZLES BLACK	1				
26	13-2628-01-7	INFLATOR NOZZLES GREY			1		1
27	13-2629-01-5	INFLATOR NOZZLES BLACK			1		1
27	13-2663-6	INFLATOR NOZZLES GREY	1				
28	13-2295-7	EXTENSION WANDS BLACK	2				
28	13-2293-01-0	EXTENSION WANDS GREY			2		2
29	45-0548-3	HOSE ASSEMBLY 67"	1				
29	45-0611-9	HOSE ASSEMBLY 45"		1			
29	45-0603-6	HOSE ASSEMBLY 67' GREY			1		
29	45-0604-4	HOSE ASSEMBLY 45" GREY				1	
29	45-0606-9	HOSE ASSEMBLY 67'					1
30	18-0966-4	PACKING CASE				1	
30	18-0965-6	PACKING CASE			1		
30	18-0971-4	PACKING CASE					1
30	18-0892-2	PACKING CASE	1	1			
31	19-0442-4	MANUAL OF USER	1	1	1	1	1



FACTORY AUTHORIZED SERVICE

Thorne Electric Company
610 Lanark Suite 205
San Antonio TX ,78218
Tel (210) 590-1226
Fax (210) 590-1258
1-800-548-5741

FACTORY

Koblenz Electrica ,S.A. de C.V.
Av. . Ciencia No 28 Cuautitlán Izcalli
Edo. de México ,C.P. 54730
Tel : 5864-0300
Web site : <http://www.koblenz.electric.com>

KOBLENZ ELECTRICA S.A. DE C.V.
E-mail: servicio@koblenz-electric.com

LP-APVI100-200509

SERVICE