

**SERVICE MANUAL  
PARTS LIST**

**BURNISHER**

***MODELS:***

**B-1500 P  
B-1500 DC**

## INDEX

	PAGE
I.- FINAL TEST PRODUCT SAFETY	3
II.- REPLACEMENT PROCEDURES ASSEMBLY	3
III.- TROUBLE SHOOTING CHART	5
IV.- ELECTRICAL RATING	6
V.- WIRING DIAGRAM	6
VI.- PART LIST	7
VII.- ASSEMBLY	9

## I. FINAL TEST FOR PRODUCT SAFETY

AT THE COMPLETION OF ANY REPAIR THE PRODUCT SHOULD BE ELECTRICALLY TESTED FOR OPERATING AND ELECTRIC TEST AS FOLLOWS

### ELECTRIC TEST

- A). - Set hi-pot meter at 1500 V
- B): -Place Switch Lock to on position.
- c). -Touch one probes of tester to on blade of power cord plug and touch other probe to handle tube. There should be no breakdown.

### OPERATING TEST

RUN THE MACHINE ON HARD SURFACE WITH BRUSH OR PAD AND MAKE SURE:

- A). - THERE IS NO UNUSUAL NOISE OR VIBRATION
- B). - THE MOTOR STARTS FAST AND WITH OUT NOISE
- C). - THE CURRENT DRAW IS LESS THAN 15 AMP.

## II. - REPLACEMENT PROCEDURES ASSEMBLY

### 1. - INDUCTION MOTOR ASSEMBLY REPLACEMENT ( 52 )

- 1.1. - Disconnect the line cord ( 46 ) from the motor line cord ( 47 )
- 1.2. - Place the burnished in vertical position. Unscrew the center driver ( 99 ) counterclockwise the three screws ( 98 ) as well as the base fix ( 99 )
- 1.3. -Remove the six screws ( 97 ) the flex base ( 96 ) the five screws ( 86 ) five washers ( 85 ) and the plate ( 83-A )
- 1.4. - Loosen the four screws ( 63 ) pull the motor from the pulley disc ( 90 ) remove the belt
- 1.5. - Remove the Allen screw ( 72 ) the motor pulley ( 73 ) as well as the locking pin ( 71 ) place the burnished in normal position and remove the handle tube assembly.
- 1.6.-Remove the three screws ( 54 ) lift the motor cover ( 44 ) remove the connection box from the motor, and disconnect the three leads of the motor line cord assembly ( 47 ) also removing the motor cover ( 44 )
- 1.7.- Remove the molding motor cover ( 46 ) four screws ( 61 ) the two capacitor covers ( 60 ) the two capacitor insulators ( 58 ) disconnect the two capacitors ( 57 and 58 )
- 1.8.- Place the burnisher in position down, remove the four screws ( 63 ) the washer ( 70 ) as well as the four washers ( 62 )
- 1.9.- Remove the assembly chassis ( 80 ) only the motor ( 52 ) that is assembly cover motor ( 44 ) as well as the molding motor cover ( 46 )
- 1.10.- Replace the motor assembly and reassemble

**NOTE : When replacing the motor ,make sure the replace has same characteristics it's also important the two capacitors to place and connect the capacitors as initially placed to avoid damaging the motor and alignment from pulleys .**

## **2.-TO REPLACED BELT ( 77 )**

- 2.1.- Follow steps indicated on point 1-2,1-3 and 1-4
- 2.2.- Replace belt and reassemble alignments from pulleys

## **3.- PULLEY AXLE REPLACEMENT ( 87 )**

- 3.1.- Follow steps 1-2,1-3, and 1-4.
- 3.2.- Remove the elastic bolt ( 94 ) pressure washer ( 95 ) and flat washer ( 93 )
- 3.3.- Remove the pulley flex disc ( 90 ) which is assembled with two bearings ( 91 ) the bearing separator ( 92 ) and clamp ( 89 )
- 3.4.- Remove the four bolts ( 88 ) pressure washer ( 79 ) remove the pulley axle and reassemble.

**NOTE : Pulley axle ( 87 ) and chassis ( 80 ) bolt holes can be assembled one way only, therefore if the bolt holes are not aligned when attaching the pulley axle to the chassis ,rotate the pulley axle until the holes are aligned and allow the four screws ( 51 ) to pass freely**

## **4.- BEARING REPLACEMENT ( 91 )**

- 4.1.- Follow steps 1-2,1-3 and 1-4.
- 4.2.- Follow steps 3-2, and 3-3
- 4.3.- Remove the clamp ( 89 ) the two bearings ( 91 ) as well as the bearing separator.
- 4.4.- Replace the two bearings, and reassemble.

## **5.-ON-OFF HANDLE REPLACEMENT ( 1 )**

- 5.1.- Remove the two screw ( 8 ) and two washers ( 9 )
- 5.2.- Remove the screw ( 4-A ) and sure button ( 4-B ).
- 5.3.- Remove the switch box cover black ( 7 )
- 5.4.- Remove the two bolts with head ( 11 ) and two springs ( 2 )
- 5.5.- Replace the ON-OFF handle, and reassemble.

## **6.- MICRO SWITCH REPLACEMENT ( 27 )**

- 6.1.- Follow Steps 5-1,5-2 and 5-3
- 6.2.- Disconnect her connection micro switch
- 6.3.- Remove the two screw ( 29 ) and two washers ( 28 )
- 6.4.- Remove and replace the micro switch and switch insulator ( 26 ) as originally assembled.

## **7.- ASSEMBLY SURE REPLACEMENT ( 4 )**

- 7.1.- Follow steps 5-1,5-2 and 5-3.
- 7.2.- Remove the dust cover ( 4-G ) and two screws ( 4-F)
- 7.3.- Remove the assembly sure and replace the component damaged and reassemble

## **8.- LINE CORD ASSEMBLY REPLACEMENT ( 32 )**

- 8.1.- Follow steps 5-1,5-2 and 5-3 .
- 8.2.- Disconnect the ground ( green ) as well as the lead connected to micro switch ( 27 ) and the cable switch assembly ( 14 ) connect to the thermal protector ( 16 )
- 8.3.- With Heyco pliers, remove the grommet ( 33 ) and washer ( 34 ) remove the motor lead assembly ( 32 ) as well as the grommet line tube ( 35 )
- 8.4.- Replace the motor lead by inserting the handle assembly ( 10 ) upwards and previously placing the grommet tube ( 35 )
- 8.5.- Place the washer ( 34 ) as well as the grommet ( 33 ) at the same distance as the prior lead ,connect and reassemble as initially placed.

## 9.- LINE CORD REPLACEMENT ( 40 )

9.1.-Follow steps 5-1,5-2 and 5-3.

9.2.- Disconnect ground (green ) as well as connection micro switch ( 27 ) and the connect to thermal protector ( 16 )

9.3.-Remove the nut from the effort relief assembly ( 38 )

9.4.- Replace line cord ,connect and reassemble as initially placed

### WHEN ORDERING ,DO NOT FORGET TO SPECIFY :

- ✓ PART NUMBER
- ✓ DESCRIPTION
- ✓ MODEL NUMBER

**NOTE: Drawing numbers are for identification purposes only.**

## III.- TROUBLE SHOOTING CHART

### 1.MOTOR DOES NOT START

POSSIBLE CAUSE	SOLUTION
NOT PLUGGED IN PROPERLY	CHECK CONNECTION
LINE CORD DAMAGED	REPLACE
MICRO SWITCH DAMAGED	REPLACE MICROSWITCH
CIRCUIT BREAKER OFF	RESET BREAKER
CAPACITOR DAMAGED	REPLACE CAPACITOR
MOTOR LINE CORD DAMAGED	REPLACE MOTOR LINE CORD
MOTOR ASSEMBLY DAMAGED	REPLACE MOTOR ASSEMBLY
PISTON AND SPRING DAMAGED	REPLACE

### 2.-MOTOR WORKS BADLY

POSSIBLE CAUSE	SOLUTION
LOW VOLTAGE	CHECK VOLTAGE ( LINE )
CAPACITOR DAMAGED	REPLACE CAPACITOR
IMPROPER MOTOR CONNECTIONS	CHECK CONNECTION

### 3. MOTOR STARTS ,DOES NOT RUN DRIVER

POSSIBLE CAUSE	SOLUTION
BELT DAMAGED	REPLACE BELT
MOTOR PULLEY DAMAGED	REPLACE MOTOR PULLEY
PULLEY AXLE DAMAGED	REPLACE PULLEY AXLE

### 4.-MOTOR NOISY

POSSIBLE CAUSE	SOLUTION
BEARING DAMAGED	REPLACE BEARING

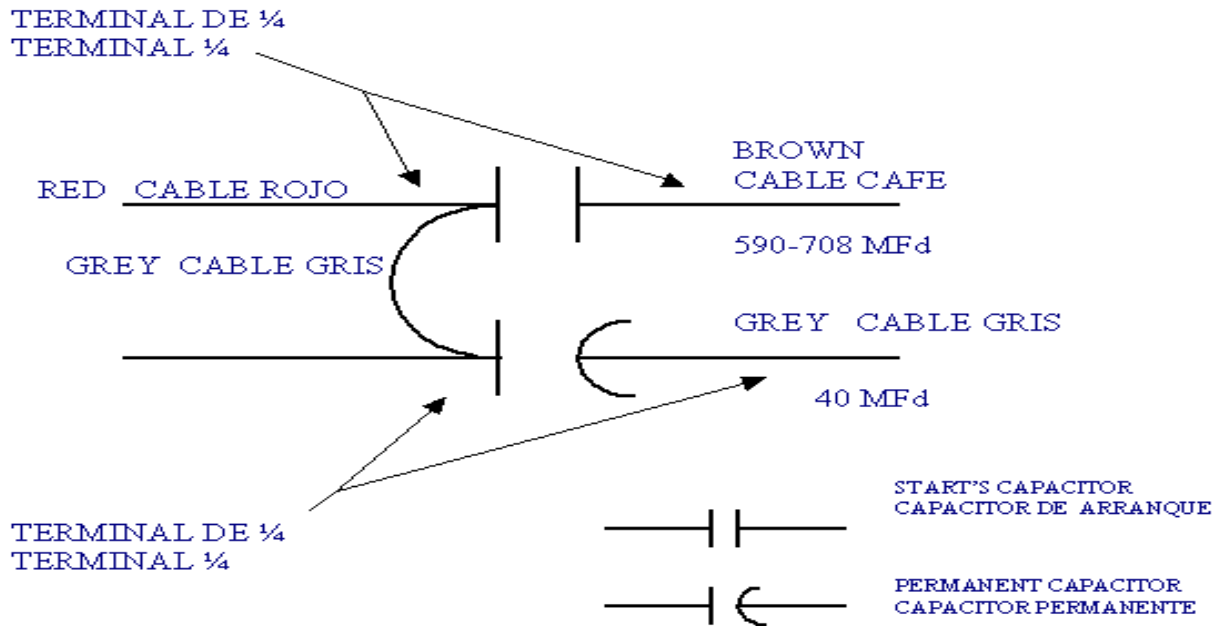
#### IV. ELECTRICAL RATING /

120 V ~

60 Hz

15 A

#### V .-WIRING DIAGRAM



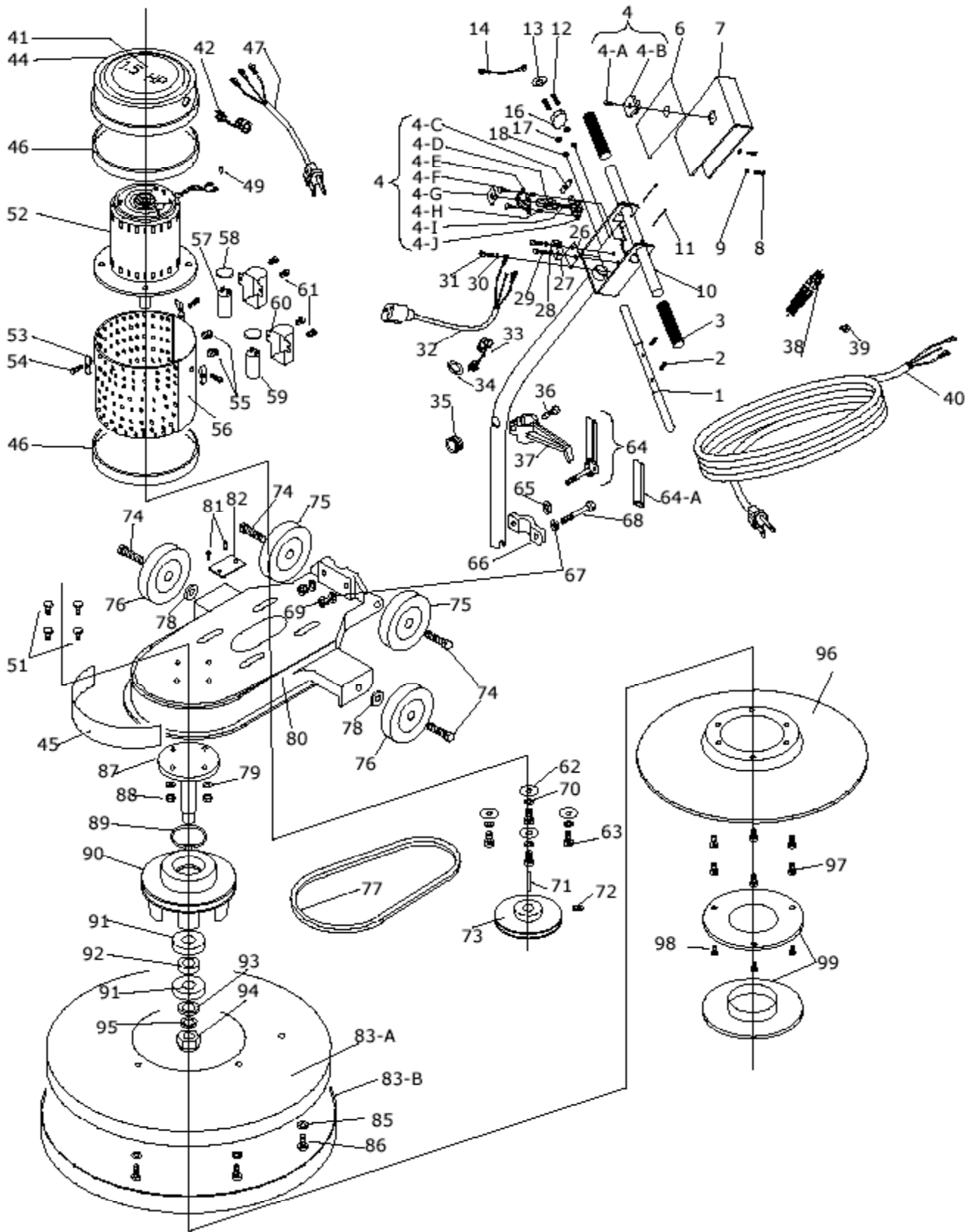
## VI.-PART LIST

No.	PART. No.	DESCRIPTION	B-1550-P	B-1500-DC
1	05-3979-1	Starter lever	1	1
2	24-0292-3	Spring	2	2
3	12-0830-5	Handle Tube Upper	2	2
4	45-0534-3	Kit spare assembly sure	1	1
4-A	01-0272-3	Screw # 6 x 1/2	1	1
4-B	13-2209-8	Sure Button	1	1
4-C	13-2205-6	Piston of the Insurance	1	1
4-D	13-2206-4	Sure	1	1
4-E	13-2208-0	It Cover Box it Guides of the Insurance	1	1
4-F	01-1732-5	Screw # 8-32 x 1/2 "	2	2
4-G	37-0225-5	Dust Cover	1	1
4-H	05-3536-9	Tubular Separator	2	2
4-I	24-0292-3	Spring	1	1
4-J	13-2207-2	Box Guides of the Insurance	1	1
6	17-3783-2	Switch Box Label Burnisher	1	1
7	05-3975-9	Switch Box Cover Black	1	1
8	01-1984-2	Screw # 8-32 x 1 "	2	2
9	04-0276-8	Star Washer No 8	2	2
10	23-0657-9	Assemble Handle for Switch		1
10	23-0656-1	Assemble Handle	1	
11	03-0593-8	Bolt with Head	2	2
12	01-1256--5	Screw Phillips 10-24 x 3/4		2
13	17-3677-6	Label " Reset "		1
14	28-0958-0	Switch Assy Wire		1
16	38-0338-4	Thermal Protector 20 A		1
17	04-0271-9	Star Washer No 10		2
18	02-0015-4	Hexagonal Nut 10-24		2
26	08-1857-5	Insulator Switch	1	1
27	11-0096-5	Micro Switch	1	1
28	04-0275-0	Star Washer No 6	2	2
29	01-0851-4	Screw hexagonal 6-32 x 1"	2	2
30	04-0493-9	Star Washer No 8	1	1
31	01-0852-2	Screw hexagonal 6-32 x 3/8 "	1	1
32	28-0955-6	Motor Cable / Contac Assembly	1	1
33	12-0414-8	Grommet Heyco 0.062	1	1
34	04-0036-6	Washer	1	1
35	12-0115-1	Grommet of Rubber	1	1
36	01-1724-2	Allen Screw 5/16-24 x 3/4	1	1
37	06-0486-8	Hook Cord	1	1
38	45-0456-9	Cord Strain Relief	1	1
39	10-0140-3	Connector of pressure 2 x 14	1	1
40	28-1078-6	Line Cord Assembly	1	1
41	17-3036-5	Motor Cover 1.5 H.P. Insert	1	1
42	12-0414-8	Grommet Heyco 0.062	1	1
44	05-3765-4	Cover Motor	1	1
45	17-3025-8	Koblentz Insert	1	1
46	12-0692-9	Molding Motor Cover	2	2
47	28-0671-9	Motor Cable / Contac Assembly	1	
47	28-0957-2	Motor Cable Assembly C.D.		1
49	01-1626-9	Screw		1
51	01-1745-7	Screw Cab. Car 5/16-18 x 1	4	4
52	00-1736-8	Motor Induction	1	
52	44-0344-0	Motor C.D.		1
53	02-0071-7	Nut Fastener	3	3
54	01-0068-5	Screw No 8 x 3/8 "	3	3
55	12-0024-5	Grommet	2	

No.	PART. No.	DESCRIPTION	B-1550-P	B-1500-DC
56	23-0605-8	Cover Motor C.D.		1
56	23-0615-7	Cover Motor Assembly	1	
57	15-0678-1	Capacitor 40 MFD	1	
58	08-0979-8	Insulator Capacitor	2	
59	15-0013-1	Capacitor 590-708 MFD	1	
60	05-3567-4	Capacitor Cover	2	
61	01-1093-2	Screw Hexagonal 8 x 3/8 "	4	
62	04-0366-7	Flat Washer 3/8	4	4
63	01-1774-7	Screw Hex 3/8-16 x 1 1/4 "	4	4
64	46-2422-7	Lever Tube Adjustment Assy	1	1
64-A	12-0617-6	Lever Grip	1	1
65	05-3582-3	Washer	1	1
66	06-0790-3	Clamp Tube	1	1
67	04-0073-9	Flat Washer 3/8	3	3
68	01-1705-1	Screw Hexagonal 3/8 "-16 x 2 1/2 "	1	1
69	02-0134-3	Nut Security 3/8 " -16	2	2
70	04-0142-2	Pressure Washer 3/8	4	4
71	25-0021-3	Locking Pin	1	
72	01-1012-2	Allen Screw 3/8" -16 x 3/8	1	1
73	06-0760-6	Motor Pulley	1	
73	06-0835-6	Motor Pulley C.D.		1
74	01-1704-4	Screw Hexagonal 1/2-13 x 2	4	4
75	45-0396-7	Wheel Assembly	2	2
76	45-0496-5	Wheel Assembly	2	2
77	12-0672-1	Belt	1	
77	12-0714-1	Belt Motor C.D.		1
78	04-0074-7	Flat Washer 1/2	2	2
79	04-0144-8	Pressure Washer 5/16 "	4	4
80	06-0799-4	Chassis	1	1
81	03-0119-2	U Rivet	2	2
82	17-3550-5	"Precaution" Plate	1	1
83-A	23-0665-2	Assembly Plate Burnisher	1	1
83-B	12-0809-9	Assembly Plate Gasket	1	1
85	04-0078-8	Flat Washer 1/4 "	5	5
86	01-1775-4	Screw Hexagonal 1/4-20 x 3/4	5	5
87	06-0757-2	Pulley Axle	1	1
88	02-0024-6	Nut Hexagonal 5/16-18	4	4
89	04-0521-7	Locking Ring	1	1
90	06-0758-0	Disc Pulley	1	1
91	26-0187-0	Bearing 6204	2	2
92	04-0522-5	Spacer	1	1
93	04-0567-0	Flat Washer Pulley Axle	1	1
94	02-0136-8	Security Nut 5/8-18	1	1
95	04-0154-7	Pressure Washer 5/8	1	1
96	46-2319-5	Flex Base	1	1
97	01-1077-5	Flat Screw 1/4-20 x 1	6	6
98	01-0069-3	Screw No 8x1/2	3	3
99	13-1978-9	Pad Holder	1	1



# X.- ASSEMBLY





**FACTORY AUTHORIZED SERVICE**

Thorne Electric Company  
610 Lanark Suite 205  
San Antonio TX ,78218  
Tel (210) 590-1226  
Fax (210) 590-1258  
1-800-548-5741

**FACTORY**

Koblenz Electrica ,S.A. de C.V.  
Av. . Ciencia No 28 Cuautitlán Izcalli  
Edo. de México ,C.P. 54730  
Tel : 5864-0300  
Web site : <http://www.koblenz.electric.com>

**KOBLENZ ELECTRICA S.A. DE C.V.**  
E-mail: [servicio@koblenz-electric.com](mailto:servicio@koblenz-electric.com)

LP-APVI500-200509

**SERVICE**