

**SERVICE MANUAL  
PARTS LIST**

**MAXIMA  
CANISTER VACUUM CLEANER**

***MODELS:***

**KC-1500-S  
KC-1300-A  
KC-1300-R**

## INDEX

	PAGE
I.- OPERATING SYSTEM	3
II.- REPLACEMENT PROCEDURES	3
III.- TROUBLE SHOOTING CHART	4
IV.- VACUUM CLEANER ASSEMBLY	5
V.- PART LIST	6
VI.- ACCESSORIES	7
VII.- PARTS LIST ACCESSORIES	7
VIII.- WIRING DIAGRAM	7

## I.- OPERATING SYSTEM

### 120 V ~ 60 Hz 10 A

#### OPERATING SYSTEM

- a) There should be no vibration.
- b) Carbon brushes spark should be small and uniform, the commutator film shall be dark brown and uniform.

## II.-REPLACEMENT PROCEDURES

### 1.- TO REPLACE THE COVER FILTER WITH TAMPO (19)

- 1.1.- Pull the cover lock (18) pulls up the cover filters and presses the two hooks with a small screwdriver.
- 1.2.- Remove the rear cover (7), replace and reassemble with a new filter cover.

### 2.- TO REPLACE THE REAR COVER (7)

- 2.1.- Follow step 1.1
- 2.2.- Remove the two screws (1) and pull up the rear cover by the front side until disassemble from the body base
- 2.3.- Disconnect the terminals, from the power electronic regulator (10), and from the on-off switch (8).
- 2.4.- Using a small screw driver press the guard cord nails (5) and remove from the rear cover.
- 2.5.- Remove the power electronic regulator (10), the switch (8), cable rewind and button 3 and 6 with springs and the knob (2).

### 3.- TO REPLACE THE POWER ELECTRONIC REGULATOR (10)

- 3.1.- Follow steps 2.1 and 2.2.
- 3.2.- Disconnect the terminals, from the power electronic regulator (10) removing screw from rear cover.
- 3.3.- Remove and replace the power electronic regulator placing control arrow in the middle of the knob nails (2).

### 4.- TO REPLACE ON-OFF SWITCH (8)

- 4.1.- Follow steps 2.1 and 2.2.
- 4.2.- Disconnect from the switch and remove switch pressing nails with a small screwdriver.

### 5.- TO REPLACE THE MOTOR (13)

- 5.1.- Follow steps 2.1 and 2.2,
- 5.2.- Disconnect from the motor and remove from the body base (28).
- 5.3.- Replace the motor.
- 5.4.- Reassemble.

NOTE: THE FIRST MOTORS USE INTEGRATED FUSE FOR PROTECTION, PERHAPS FUSE MAY BE REPLACE BY A THERMAL PROTECTOR WHEN IT IS OPEN OR BURNED AND MOTOR IS NOT DAMAGED, WITH PART No. 38-0410-1.

### 6.- TO REPLACE CORD REEL ASSY (21)

- 6.1.- Follow steps 2.1 and 2.2.
- 6.2.- Disconnect from the cord reel assy and remove from the base body (28).
- 6.3.- Replace and reassemble cord reel assy.

NOTE: FOR MORE CORD REEL ASSY TENSION, PULL THE CORD 12" AND ROLL REEL AGAINST CLOCK DIRECTION, FOR MORE TENSION TRIES THIS AGAIN.

### 7.- TO REPLACE CABLE REWIND (3) OR BUTTON SWITCH (6)

- 7.1.- Follow steps 2.1,2.2 and 2.3.
- 7.2.- Press button nails from below and removes
- 7.3.- Replace and reassemble, make sure spring (4) is in original position.

### 8.- TO REPLACE FULL BAG INDICATOR (20)

- 8.1.- Pull cover lock (18), lift up top bag filter (19).
- 8.2.- Disassemble and replace full bag indicator.

### III.- TROUBLE SHOOTING CHART

#### 1.- DOES NOT START

CAUSE	SOLUTION
NOT FIRMLY PLUGGED	CHECK ATTACHMENT PLUG
DAMAGED PLUG OR LINE CORD	REPLACE LINE CORD
DAMAGED REEL	REPLACE REEL
DAMAGED ON-OFF SWITCH	REPLACE SWITCH
DAMAGED MOTOR	REPLACE MOTOR

#### 2.- LOW SUCTION

CAUSE	SOLUTION
BAG FULL	EMPTY BAG
DIRTY FILTERS	REPLACE FILTERS
HOSE CLOSED	CLEAN OBSTRUCTION
DAMAGED COVER SEAL	REPLACE COVER SEAL
POWER ELECTRONIC REGULATOR DAMAGED	REPLACE POWER ELECTRONIC REGULATOR
DAMAGED MOTOR	REPLACE MOTOR

#### 3.- CORD REEL DOES NOT ROLL BACK

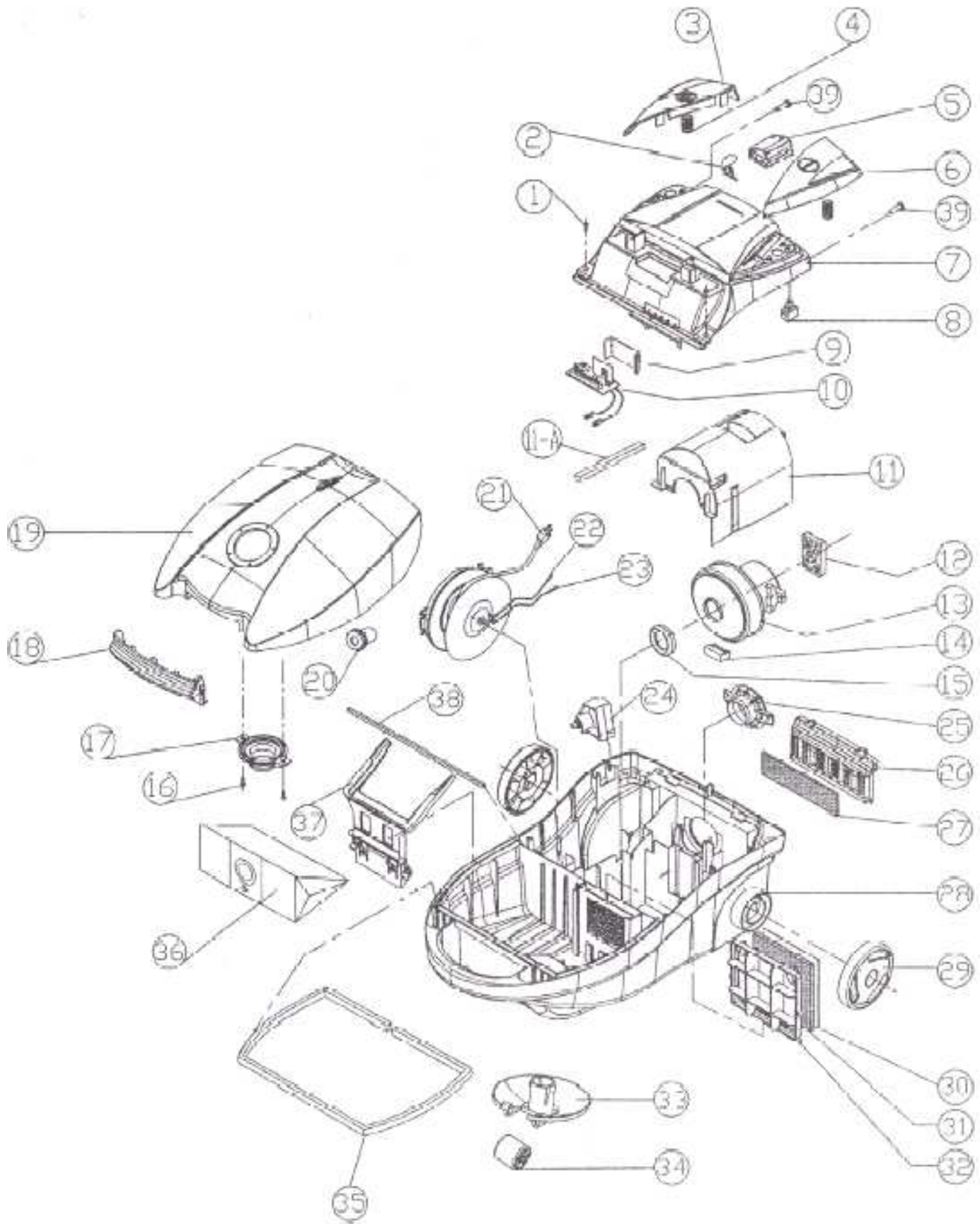
CAUSE	SOLUTION
CORD IS NOT CORRECTLY ROLLED	PULL CORD 2 OR 3 MTS. ABOVE AND PRESS REWIND BUTTON.

**WHEN ORDERING ,DO NOT FORGET TO SPECIFY :**

- ✓ **PART NUMBER**
- ✓ **DESCRIPTION**
- ✓ **MODEL NUMBER**

**NOTE: Drawing numbers are for identification purposes only.**

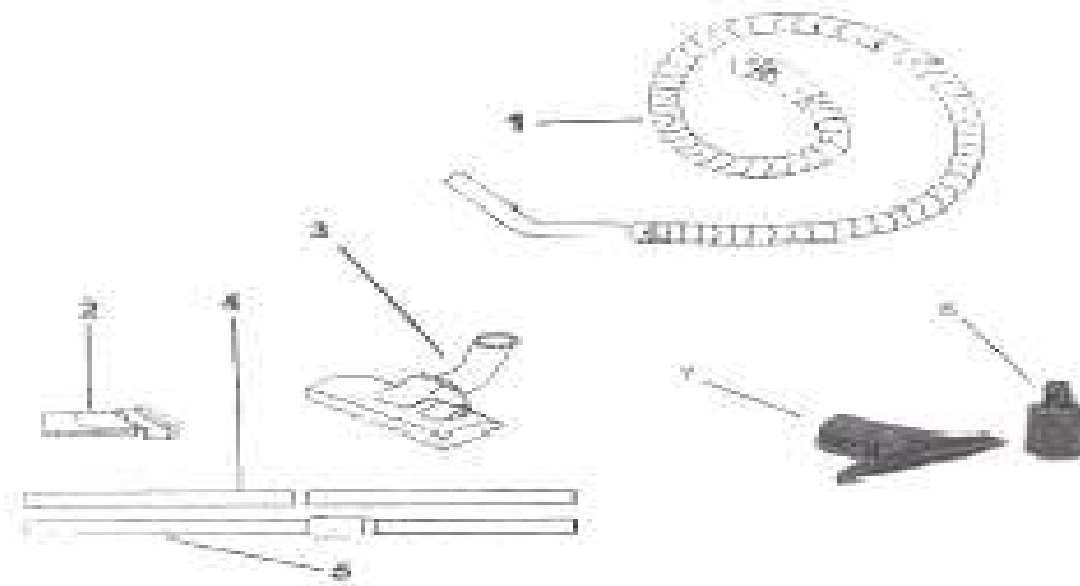
# IV.- VACUUM CLEANER ASSEMBLY



## V.-VACUUM CLEANER PARTS LIST

No.	PART No.	DESCRIPTION	SILVER KC-1500S	YELLOW KC-1300A	RED KC-1300R
1	01-0065-1	SCREW # 6 x 3/4	2	2	2
2	13-2730-3	KNOB-VOLUME BLACK	1	1	1
3	13-2728-7	CABLE REWIND SILVER	1		
3	13-2891-3	CABLE REWIND YELLOW		1	
3	13-2892-1	CABLE REWIND RED			1
4	24-0301-2	BUTTON SPRING	2	2	2
5	13-2722-0	GUARD CORD SILVER	1		
5	13-2926-7	GUARD CORD YELLOW		1	
5	13-2927-5	GUARD CORD RED			1
6	13-2729-5	BUTTON SWITCH SILVER	1		
6	13-2897-0	BUTTON SWITCH YELLOW		1	
6	13-2898-8	BUTTON SWITCH RED			1
7	13-2757-6	REAR COVER SILVER	1		
7	13-2903-6	REAR COVER YELLOW		1	
7	13-2904-4	REAR COVER RED			1
8	11-0198-9	SWITCH ON-OFF	1	1	1
9	13-2997-8	SWITCH PROTECTION	1	1	1
10	28-1392-1	POWER ELECTRONIC	1	1	1
11	13-3015-8	COVER MOTOR	1	1	1
11-A	12-0935-2	SEAL "U" 7 7/16	1	1	1
12	12-0850-3	CUSHION MOTOR	1	1	1
13	00-1995-0	MOTOR	1	1	1
14	12-0851-1	SUPPORT MOTOR	1	1	1
15	12-0852-9	RETAINING MOTOR	1	1	1
16	01-0061-0	SCREW # 6 x 1/4	2	2	2
17	13-2941-6	INLET HOSE BLACK	1		
17	13-2942-4	INLET HOSE YELLOW		1	
17	13-2943-2	INLET HOSE RED			1
18	13-2940-8	COVER LOCK BLACK	1		
18	13-2938-2	COVER LOCK YELLOW		1	
18	13-2939-0	COVER LOCK RED			1
19	13-3087-03-1	TOP BAG FILTER SILVER	1		
19	13-3087-02-3	TOP BAG FILTER YELLOW		1	
19	13-3087-0 1-5	TOP BAG FILTER RED			1
20	45-0570-7	FULL BAG INDICATOR	1	1	1
21	46-2957-2	CORD REEL ASSY	1	1	1
22	28-1376-4	CABLE ASSY MOTOR	1	1	1
23	28-1377-2	CABLE ASSY SWITCH	1	1	1
24	13-2748-5	REEL ACTUATOR	1	1	1
25	13-2726-1	INLET HOSE BLACK	1	1	1
26	13-2739-4	FILTER GRILLE	1	1	1
27	08-1958-1	OUTLET FILTER AIR	1	1	1
28	13-2731-1	BODY BASE BLACK	1	1	1
29	13-2733-7	WHEEL BACK BLACK	2	2	2
30	08-1960-7	PAPER FILTER	1	1	1
31	08-1957-3	INLET FILTER	1	1	1
32	13-2962-2	BAG GRILLE	1	1	1
33	13-2720-4	ROLLER-BACK SUPPORT	1	1	1
34	13-2937-4	ROLLER-BACK BLACK	1	1	1
35	12-0860-2	PACKING-DUST	1	1	1
36	45-0579-8	BAG-PAPER	1	1	1
37	13-2732-9	SUPT-FILTER	1	1	1
38	12-0869-3	SEAL "U"	1	1	1
39	01-1198-1	SCREW No. 4-24 X 1/2	2	2	2
40	18-0978-9	PACKING CASE	1		
40	18-0979-7	PACKING CASE		1	
40	18-0980-5	PACKING CASE			1
41	18-0496-0	MANUAL OF USER	1	1	1

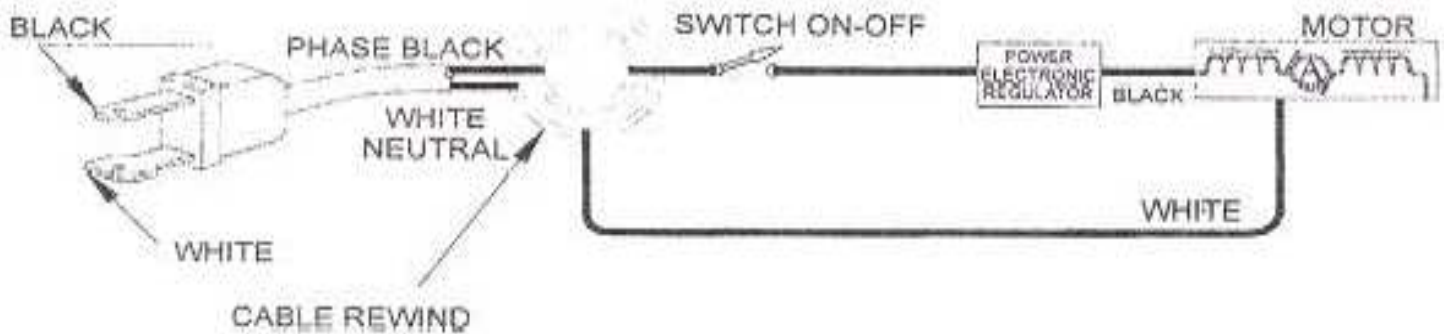
## VI.- ACCESSORIES



## VII.- ACCESSORIES PARTS LIST

No.	PART. No.	DESCRIPTION	SILVER KC-1500S	YELLOW KC-1300A	RED KC-1300R
1	4505681	HOSE ASSEMBLY	1	1	1
2	45-0569-9	ESQUINERO PLUMERO ACCESSORY	1	1	1
3	45-0567-3	COMBINATION FLOOR TOOL	1	1	1
4	45-0580-6	TELESCOPIC WAND (2 PZAS.)		1	1
4	13-1024-2	TELESCOPIC WAND			2
5	45-0566-5	EXPANDIBLE WAND	1		
6	13-2287-4	PICK UP TOOL	1		
7	13-2663-6	INFLATOR NOZZLE	1		

## VIII.- WIRING DIAGRAM





**FACTORY AUTHORIZED SERVICE**

Thorne Electric Company  
610 Lanark Suite 205  
San Antonio TX ,78218  
Tel (210) 590-1226  
Fax (210) 590-1258  
1-800-548-5741

**FACTORY**

Koblenz Electrica ,S.A. de C.V.  
Av. . Ciencia No 28 Cuautitlán Izcalli  
Edo. de México ,C.P. 54730  
Tel : 5864-0300  
Web site : <http://www.koblenz.electric.com>

**KOBLENZ ELÉCTRICA S.A. DE C.V.**  
E-mail: [servicio@koblenz-electric.com](mailto:servicio@koblenz-electric.com)

LP-APVI500-200509

SERVICE