

**SERVICE MANUAL
PARTS LIST**

WET / DRY VACUUM CLEANER

MODELS:

**PV-500 K
WD-600 K
WD-800 K
WD-900 K**

INDEX

| | PAGE |
|--|------|
| I.- OPERATING SYSTEM | 3 |
| II.- REPLACEMENT PROCEDURES | 3 |
| III.- TROUBLE SHOOTING CHART | 4 |
| IV.- WIRING DIAGRAM | 5 |
| V.- VACUUM CLEANER ASSEMBLY | 6 |
| VI.- VACUUM CLEANER PARTS LIST | 7 |

I.- OPERATING SYSTEM

The vacuum cleaner can work from 105 to 135 V.

The current must be of 3 to 4 Amps.

There should be no abnormal noise or vibration, the carbon brushes spark should be small and uniform, and the commutator must have dark brown strip and uniform.

II.-REPLACEMENT PROCEDURES

1.- TO REPLACE MOTOR (9)

- 1.1.- Pull release tab outward, at the same time pull cover up.
- 1.2.- Remove the four screws (10).
- 1.3.- Remove the cover (6).
- 1.4.- Disconnect the line cord.
- 1.5.- Remove the motor assembly (9).
- 1.6.- Replace the motor (9) reconnect and reassemble.

NOTE: Do not attempt to the repair motor send for service.

2.- TO REPLACE THE ON-OFF SWITCH (1)

- 2.1.- Follow steps 1.1 and 1.3.
- 2.2.- Disconnect the two leads from the switch (1).
Remove the three screws (7) the screw (9) and remove the cover top (3) replace the on-off switch reconnect and reassemble.

3.- TO REPLACE THE LINE CORD

- 3.1.- Follow steps 1.1 and 1.3.
- 3.2.- Remove and replace the new line cord and reassemble as initially placed.

4.- TO REPLACE THE FLOAT (15)

- 4.1.- Follow steps 1.1
- 4.2.- Remove the cage (15).
- 4.3.- Remove and replace the float (14)

III.- TROUBLE SHOOTING CHART

1.- MOTOR DOES NOT RUN

| CAUSE | SOLUTION |
|--------------------|-----------------------|
| Not firmly plugged | Check attachment plug |
| Bad on-off switch | Replace Switch |
| Line cord open | Replace cord |
| Motor Open | Replace motor |

2.- LOW SUCTION

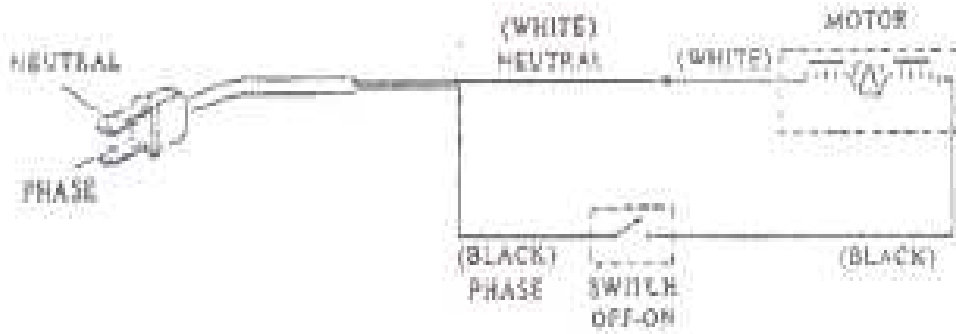
| CAUSE | SOLUTION |
|---------------------|----------------------|
| Tank full | Empty tank |
| Hose or wand closed | Clean obstruction |
| Motor slow | Check carbon brushes |
| Filler is dirty | Replace filler |

WHEN ORDERING ,DO NOT FORGET TO SPECIFY :

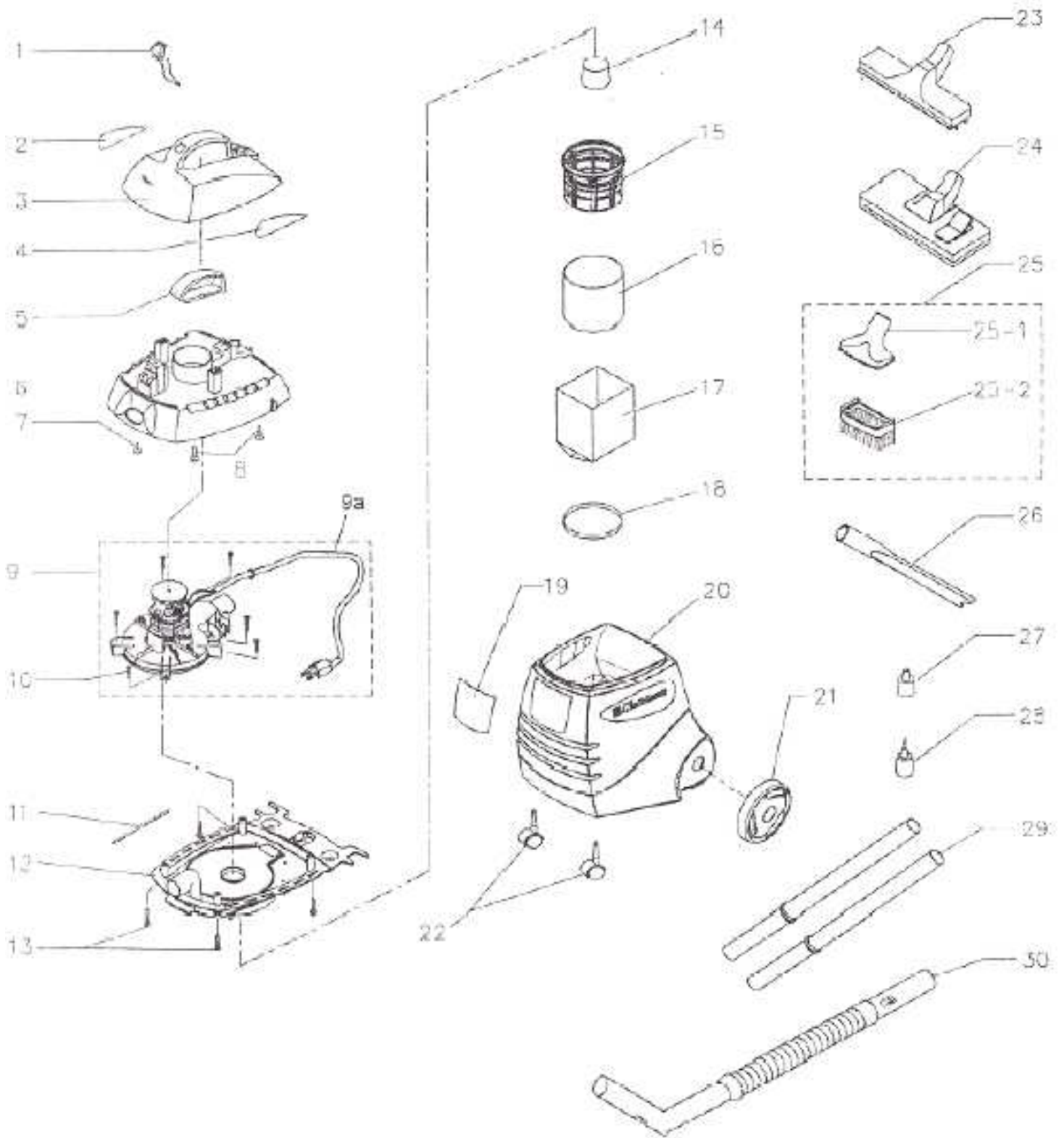
- ✓ **PART NUMBER**
- ✓ **DESCRIPTION**
- ✓ **MODEL NUMBER**

NOTE: Drawing numbers are for identification purposes only.

IV.- WIRING DIAGRAM



V.- VACUUM CLEANER ASSEMBLY



VI.-VACUUM CLEANER PARTS LIST

| No. | PART. No. | DESCRIPTION | PV-500 K | WD 600K | WD 800K | WD 900K |
|------|--------------|---------------------------------|----------|---------|---------|---------|
| 1 | 11-0184-9 | SWITCH ON-OFF ASSEMBLY | 1 | 1 | 1 | 1 |
| 3 | 13-2231-02-8 | COVER BLUE | 1 | | | |
| 3 | 13-2231-03-6 | COVER GRAPHITE | | 1 | | |
| 3 | 13-2231-01-0 | COVER BLACK | | | 1 | |
| 3 | 13-2231-04-4 | COVER GRAPHITE C7 | | | | 1 |
| 5 | 13-2246-02-6 | COVER HANDLE BLUE | 1 | | | |
| 5 | 13-2246-0 | COVER HANDLE GRAPHITE | | 1 | | |
| 5 | 13-2246-01-8 | COVER HANDLE BLACK | | | 1 | |
| 6 | 13-2253-02-2 | COVER LOWER BLUE | 1 | | | |
| 6 | 13-2250-03-6 | COVER LOWER GRAPHITE | | 1 | | 1 |
| 6 | 13-2253-01-4 | COVER LOWER BLACK | | | 1 | |
| 7 | 01-0063-6 | SCREW # 6 x 1/2 | 3 | 3 | 3 | 3 |
| 8 | 01-0266-5 | SCREW # 4 x 3/8 | 1 | 1 | 1 | 1 |
| 9 | 00-3872-9 | MOTOR ASSEMBLY | 1 | 1 | 1 | 1 |
| 9a | 28-0909-3 | LINE CORD | 1 | 1 | 1 | 1 |
| 10 | 01-0293-9 | SCREW | 6 | 6 | 6 | 6 |
| 11 | 12-0819-8 | SEAL LID | 1 | 1 | 1 | 1 |
| 12 | 13-2260-01-9 | LID BLUE | 1 | | | |
| 12 | 13-2261-9 | LID GRAPHITE | | 1 | | 1 |
| 12 | 13-2260-1 | LID BLACK | | | 1 | |
| 13 | 01-0074-3 | SCREW # 8 x 3/4 | 4 | 4 | 4 | 4 |
| 14 | 13-3079-4 | FLOAT | 1 | 1 | 1 | 1 |
| 15 | 13-1991-2 | CAGE | 1 | 1 | 1 | 1 |
| 16 | 12-0696-0 | FOAM FILTER | 1 | 1 | 1 | 1 |
| 17 | 08-1924-3 | PAPER FILTER | 2 | 2 | 2 | 2 |
| 18 | 45-0544-2 | RETAINER FILTER | 1 | 1 | 1 | 1 |
| 19 | 17-4551-2 | LABEL PV-500K | 1 | | | |
| 19 | 17-4550-4 | LABEL WD-600K | | 1 | | |
| 19 | 17-4513-2 | LABEL WD-800K | | | 1 | |
| 19 | 17-4512-4 | LABEL WD-900K | | | | 1 |
| 20 | 46-3080-2 | TANK ASSEMBLY PV-500K | 1 | | | |
| 20 | 46-3131-3 | TANK ASSEMBLY WD-600K | | 1 | | |
| 20 | 46-3048-9 | TANK ASSEMBLY WD-800K | | | 1 | |
| 20 | 46-3050-5 | TANK ASSEMBLY WD-900K | | | | 1 |
| 21 | 13-1796-5 | REAR WHEEL 6" | 2 | | | 2 |
| 22 | 27-0264-5 | TURNING WHEEL | 2 | 4 | 4 | 2 |
| 23 | 46-2755-0 | FLOOR TOOL W/SQUEEGEE ASSEMBLY | | 1 | 1 | 1 |
| 24 | 45-0602-8 | FLOOR TOOL COMBINATION ASSEMBLY | 1 | | | |
| 25 | 46-2849-01-9 | UPHOLSTERY TOOL GREY | 1 | | | |
| 20-1 | 13-2287-4 | PICK UP TOOL BLACK | | 1 | 1 | 1 |
| 27 | 13-2628-01-7 | INFLATOR NOZZLES GREY | 1 | | | |
| 28 | 13-2829-01-5 | INFLATOR NOZZLES GREY | 1 | | | |
| 29 | 13-2295-7 | EXTENSION WANDS BLACK | | 2 | 2 | 2 |
| 29 | 13-2293-01-0 | EXTENSION WANDS GREY | 2 | | | |
| 30 | 45-0606-9 | HOSE ASSEMBLY 67" | 1 | | | |
| 30 | 45-0548-3 | HOSE ASSEMBLY 67" | | 1 | 1 | 1 |
| 31 | 18-0946-6 | PACKING CASE PV-500K | 1 | | | |
| 32 | 18-0945-8 | PACKING CASE WD-600K | | 1 | | |
| 33 | 18-0919-3 | PACKING CASE WD-800K | | | 1 | |
| 34 | 18-0918-5 | PACKING CASE WD-900K | 1 | 1 | 1 | 1 |



FACTORY AUTHORIZED SERVICE

Thorne Electric Company
610 Lanark Suite 205
San Antonio TX ,78218
Tel (210) 590-1226
Fax (210) 590-1258
1-800-548-5741

FACTORY

Koblenz Electrica ,S.A. de C.V.
Av. . Ciencia No 28 Cuautitlán Izcalli
Edo. de México ,C.P. 54730
Tel : 5864-0300
Web site : <http://www.koblenz.electric.com>

KOBLENZ ELECTRICA S.A. DE C.V.
E-mail: servicio@koblenz-electric.com

SERVICE