

PULLMAN-HOLT



Survivor Series HEPA Vacs Model 30ASB

When it comes to a rugged, portable backpack style HEPA vacuum, the model 30ASB by Pullman-Holt is the preferred vacuum. It is ideal for use in elevated or hard-to-reach areas, either hand-carried or worn as a backpack. The 30ASB makes quick work of sampling, glove bag work or general abatement. It's all steel construction and long life motor will provide years of hard, professional use. The top fill design allows for maximum capacity without loss of airflow. The model 30ASB comes complete with a 10' x 1.5" crushproof hose and round dusting brush.

- **Powerful Vacuum** – A 1 horsepower, 2 stage air-thru, 7.2 amp motor delivers 85" waterlift and impressive 101 CFM.
- **True 99.97% Type A Large Capacity HEPA Filter** – Individually tested and certified to have a minimum efficiency of 99.97% at .3 microns in accordance with IEST-RP-CC001.

Features:

Top fill design for maximum recovery and airflow

Harness distributes weight evenly on the operator's back and hips

Steel tank with powder coat finish provides the ultimate in strength and durability

Exhaust port blows warm process air away from operator

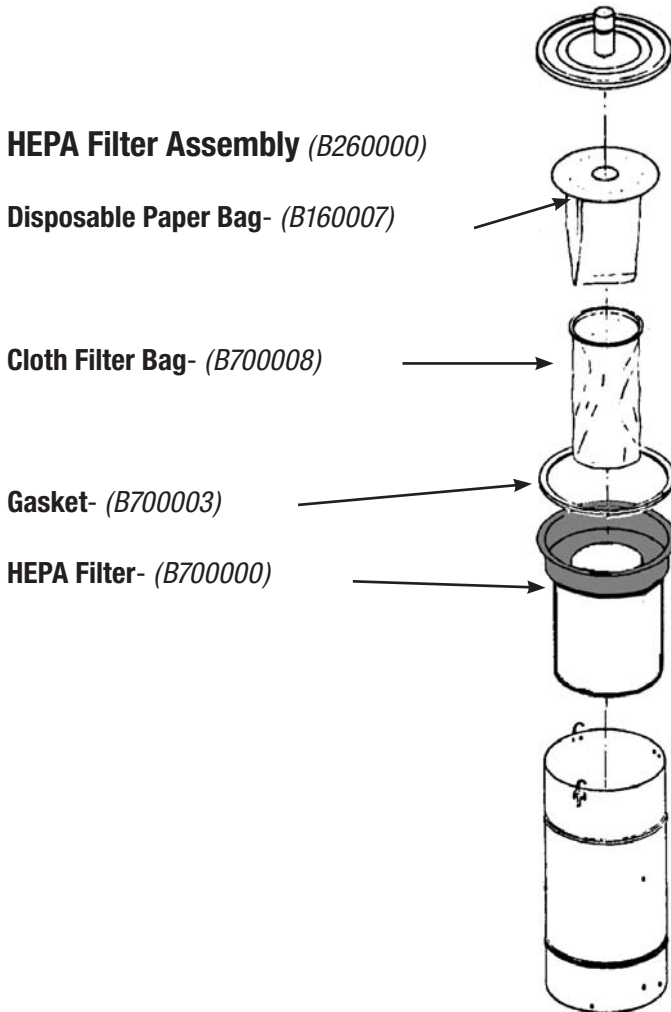
10' crushproof hose assembly with dusting brush




Survivor Series HEPA Vacs

Model 30ASB

Pullman-Holt HEPA Filter System



Each Pullman-Holt HEPA filter is tested and certified to provide a minimum efficiency of 99.97% at .3 microns based on IEST-RP-CC001 test requirements.

PULLMAN-HOLT Part No. B700000	
P512306 Mfrd by Donaldson Company, Inc.	
IEST-RP-CC001, Type A, Grade 6, 101 cfm	
This Hepa filter has been tested and is certified to have a minimum efficiency of 99.97% on .3 micron.	
Serial number:	_____
Penetration rate:	_____
Pressure drop:	_____
www.pullmanholtcorp.com	
 <small>Label No. P61-1103</small>	

Tools & Accessories:



30ASB Tool Kit includes 10' x 1.5" crushproof hose (B000311) and Round dusting brush (B000394)



Moleskin cloth secondary filter bag



HEPA filter - Large capacity, radial pleated design.



Disposable paper filter bag - high efficiency, two-ply primary filter.

Specifications:

style:	dry
horsepower:	1
waterlift:	85"
cfm:	101
recovery:	.12 bu
shipping weight:	30 lbs.
net weight:	18 lbs.
product code:	B160000

PULLMAN-HOLT

10702 N. 46th Street • Tampa, FL 33617
 800-237-7582 • Fax 800-833-8875
 www.Pullman-Holt.com