

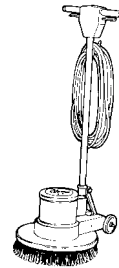
# PULLMAN-HOLT

## Replacement Parts List

Save For Future Reference

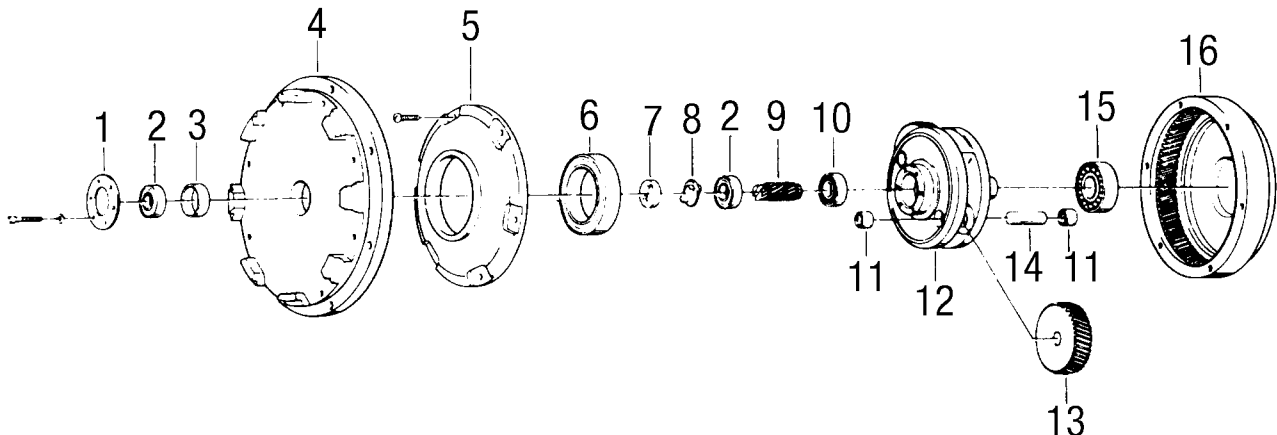
### Floor Machines

Models B13B, B13D, B16D, B16E, B18D, B18E, B20E, B20F, B22F



### GEAR ASSEMBLY

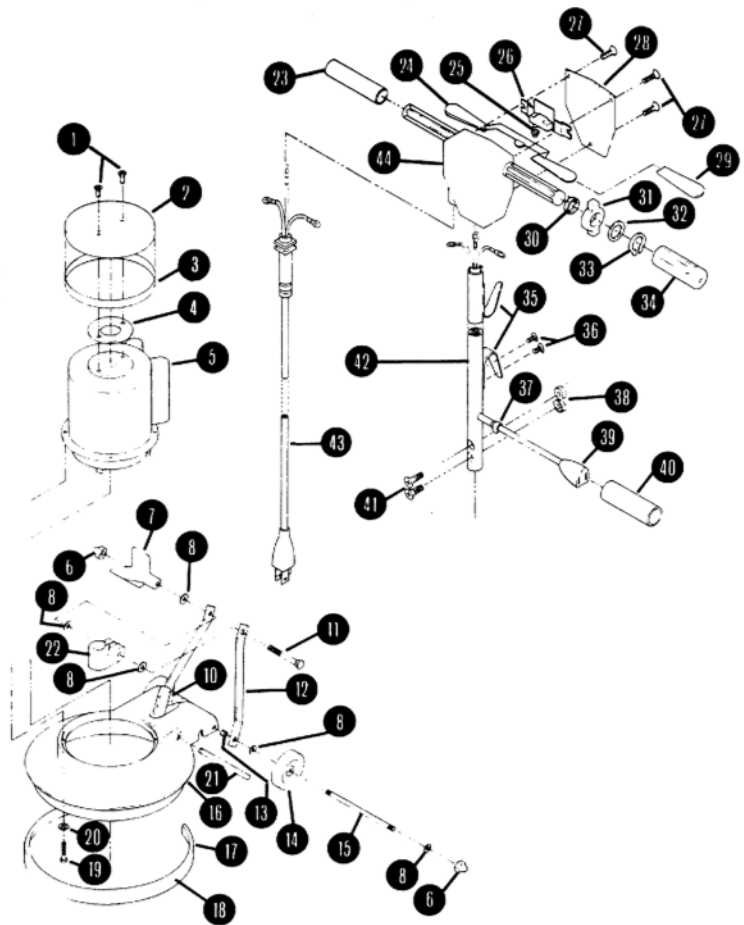
Ref. No.	Part No.	Description	Qty.	Ref. No.	Part No.	Description	Qty.
1	B700855	Retainer Plate	1	12	B700844	Cage (for 2 idler gears)	1
2	B700854	Bearing	2		B703862	Cage (or 3 idler gears)	
3	B700853	Spacer Sleeve	1	13	B700843	Idler Gear	2
4	B700852	Endshield	1			All models, D&E, suffix	3
5	B700851	Housing Cover	1	14	B700842	Shaft	
6	B700850	Bearing	1			B13B	1
7	B700849	Retainer	1			All models, D&E, suffix	2
8	B700848	Coupling	1			All models, F, suffix	3
9	B700847	Pinion Gear	1	15	B700841	Bearing	1
10	B700846	Bearing	1	16	B700840	Drive Housing	1
11	B700845	Needle Bearing	2				
		B13B	4				
		All models, D&E, suffix	4				
		All models, F, suffix	6				



# CHASSIS & HANDLE ASSEMBLY

Ref. No.	Part No.	Description	Qty.
1	B932668	Screw (10-32x 1/2")	2
2	B205081	Motor Canopy	1
3	B527092	Canopy Bumper	1
4	B930522	Canopy Spacer	1
5	B200140	Motor Assembly 1.0HP (All E Models)	1
5	B200141	Motor Assembly 1.5HP (All F Models)	1
6	B932661	Cap Nut	3
7	B600691	Star Latch	1
8	B932648	Washer	9
10	B980079	Handle Tee	1
11	B700960	Carriage Bolt (3/8-16x5")	1
12	B700957	External Strut	2
13	B520614	Compression Spring	2
14	B932160	5" Wheel	2
15	B700958	Wheel Axle	1
16	B980173	13" Chassis Painted	1
16	B802104	16" Chassis Painted	1
16	B802107	18" Chassis Painted	1
16	B802110	20" Chassis Painted	1
16	B932556	22" Chassis Painted	1
16	B960532	16" Chassis Polished	1
16	B960534	18" Chassis Polished	1
16	B960536	20" Chassis Polished	1
17	B521615	Bumper Only - 13"	1
17	B521174	Bumper Only - 16"	1
17	B521266	Bumper Only - 18"	1
17	B521609	Bumper Only - 20"	1
17	B521647	Bumper Only - 22"	1
18	B511621	Bumper Insert - 13"	1
18	B521175	Bumper Insert - 16"	1
18	B521265	Bumper Insert - 18"	1
18	B521607	Bumper Insert - 20"	1
18	B521649	Bumper Insert - 22"	1
19	B932671	Screw (1/4"-20x1")	4
20	B932654	Lock Washer	4
21	B932536	Tee Shaft	1
22	B932079	Handle Clamp	1
23	B932046	Handle Grip, Right	1

Ref. No.	Part No.	Description	Qty.
24	B980302	Trigger	1
25	B932123	Trigger Spring	1
26	B930431	Switch Assembly	1
27	B932631	Screw (8-32x1/2")	3
28	B205079	Switch Box Cover	1
29	B932062	Trigger Sleeve	2
30	B524548	Safety Latch Spring	1
31	B524244	Safety Latch	1
32	B524825	Safety Latch Spacer	1
33	B914705	Ring	1
34	B524716	Left Handle Grip	1
35	B932090	Cord Hook	2
36	B932647	Screw	4
37	B205084	Strain Relief	1
38	B932724	Hex Nut w/washer (1/2-20)	2
39	B700547	Cord Set (14/3 x 44")	1
40	B525311	Restraint Shroud	1
41	B932653	Screw (1/4-20x1 1/2")	2
42	B600670	Handle Pipe	1
43	B700547	Cord Set (B13B)	1
43	B930404	Cord Set (14/3x50ft.)	1
44	B527563	Switch Box	1



# PULLMAN-HOLT

10702 N 46th Street • Tampa, FL 33617

(813)971-2223 • fax (813) 971-6090

www.pullmanholtcorp.com