

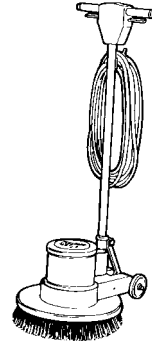
PULLMAN-HOLT

Replacement Parts List

Save For Future Reference

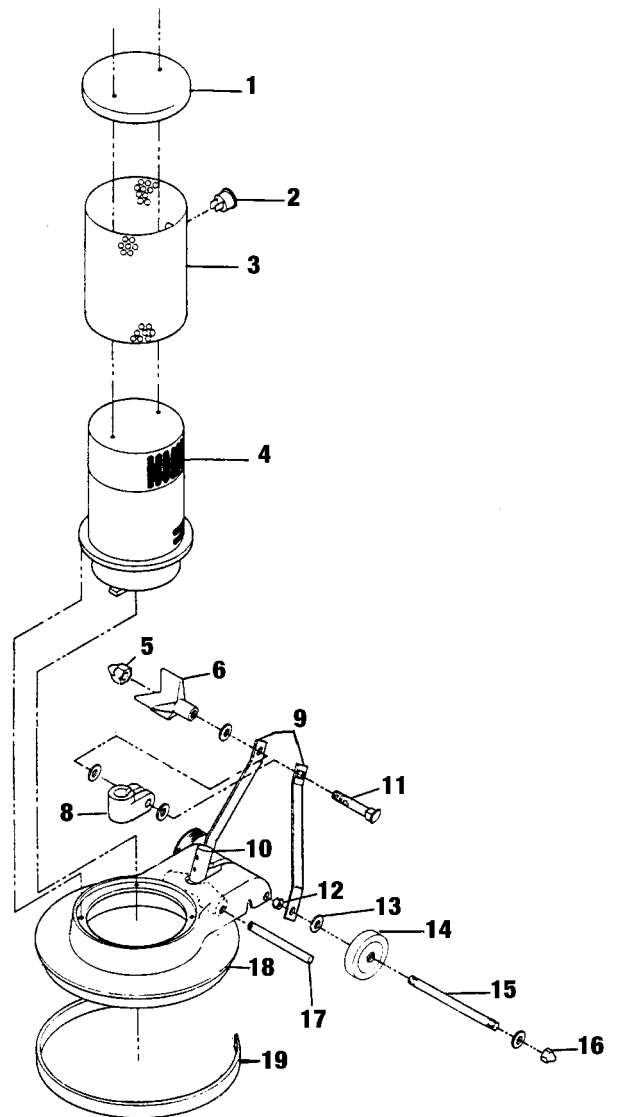
Dual Speed Floor Machine

Model DS-20



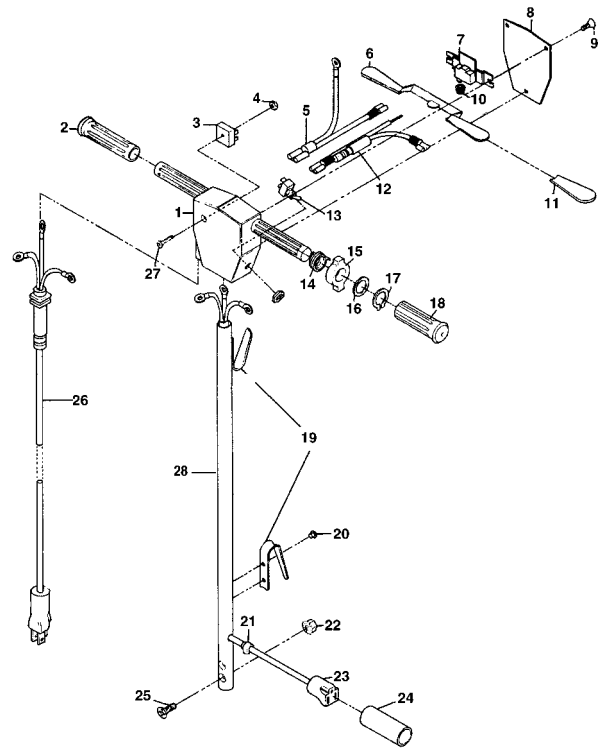
CHASSIS ASSEMBLY

Ref. No.	Part No.	Description	Qty.
1	B600417	Motor Canopy	1
2	B700434	Lamp Red Neon	1
3	B600521	Motor Shield	1
4	B200033	1-1/2 HP Motor & Gearbox Assembly	1
5	B932661	Acorn Nut	1
6	B600691	Star Knob	1
8	B932079	Handle Clamp	1
9	B700957	Handle Adjustment Strut	2
10	B980079	Handle Tee	1
11	B700960	Carriage Bolt	1
12	B520614	Spring	2
13	B932648	Washer	9
14	B932160	Wheel	2
15	B700958	Wheel Axle	1
16	B932661	Acorn Nut	2
17	B932536	Handle Tee Shaft	1
18	B960536	20" Chassis	1
19A	B521609	Bumper Only	1
19B	B521607	Insert-Bumper	1
	B200391	Chassis Assembly Complete	
Not shown	B452004	Drive Brush	

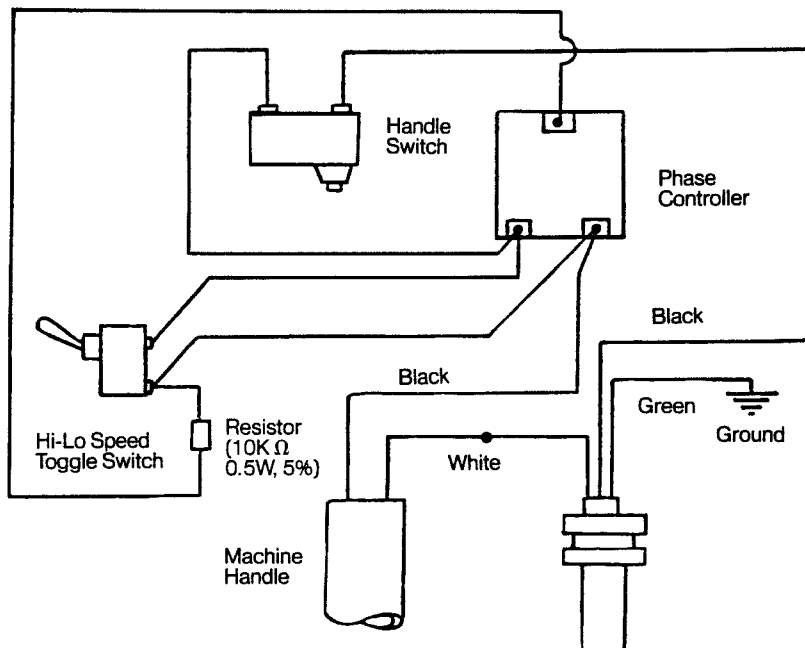


HANDLE ASSEMBLY

Ref. No.	Part No.	Description	Qty.
1	B600023	Switch Box	1
2	B932046	Handle Grip - Red	1
3	B522767	Phase Control	1
4	B932334	Hex Lock	1
5	B524354	Lead Assembly Jumper	1
6	B980302	Trigger	1
7	B930431	Switch Assembly	1
8	B205079	Switch Box Cover	1
9	B932631	SC 8-32 x .500 FHC ZN	1
10	B932123	Spring for Trigger	1
11	B932062	Trigger Sleeve - Red pull	2
12	B524353	Resistor and Lead Assembly	1
13	B524383	Switch SPST Carling	1
14	B524548	Spring for Safety Latch	1
15	B524244	Safety Latch	1
16	B524825	Spacer, Safety Latch	1
17	B914705	Ring Truarc #5100	1
18	B524716	Handle Grip for Safety Latch - Red	1
19	B932090	Hook Cord Chrom Plated	2
20	B932647	SC 8-32 x .375 phc zn	4
21	B932059	Grommet	1
22	B932724	NT .250-20 KEPS	2
23	B700547	Cordset 14/3-46"	1
24	B525311	Shroud Restraint	1
25	B932653	SC .250-20 x 1.5 Lg	2
26	B930404	Cord Set	1
27	B932722	SC .250 - 20 x 1.25	1
28	B600670	Handle Pipe	1



Wiring Diagram



PULLMAN-HOLT

10702 N 46th Street • Tampa, FL 33617

(813)971-2223 • fax (813) 971-6090

www.pullmanholtcorp.com