

58-FLC-170

170 PSI, 115VAC FLOOR CARE PUMP

Flow : With #2 Nozzle: 145 PSI, .5 GPM

With #4 Nozzle: 120 PSI, .8 GPM

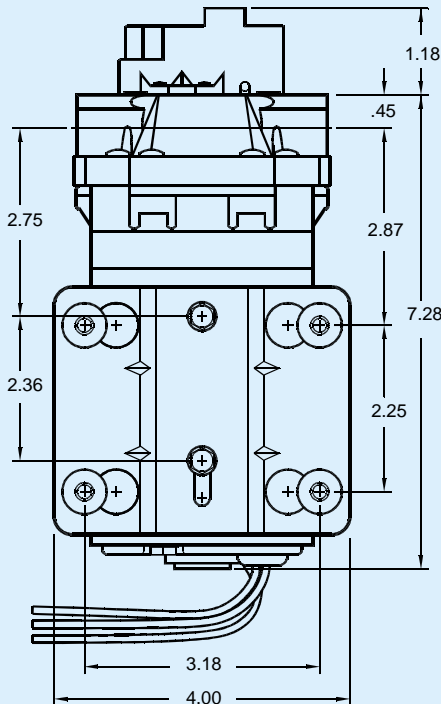
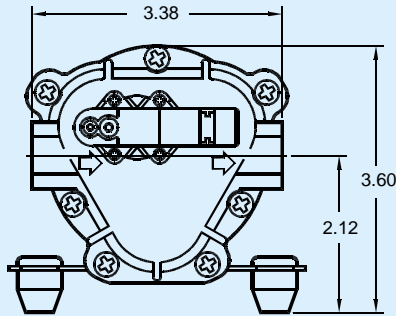
With #6 Nozzle: 90 PSI, .98 GPM

FEATURES:

Series 5800 Pump
Floor Care Applications
115 VAC Operation
3/8" NPT Female Ports
Pressure Switch Set to 170 PSI
Internal Pressure Bypass
Sealed Motor to Prevent Moisture Intrusion
Steel Mounting Plate (Other Types Available)

SPECIFICATIONS:

- **MOTOR:**
 - TYPE:** 115 VAC, 60 HZ, Permanent Magnet, Totally Enclosed, Non-Ventilated
 - LEADS:** 18 AWG, 12" LONG
 - TEMP. LIMITS:** For User Safety, Optimal Performance, and Maximum Motor Life, This Motor is Equipped with a Thermal Protector that Limits the Motor Shell Temperature to 215°F (102°C), as Shown on the Heat Rise Graph.
 - DUTY CYCLE:** See Heat Rise Graph
- **PUMP DESIGN:** 3 Chamber Diaphragm Pump, Self Priming, Capable of Being Run Dry
- **TYPICAL APPLICATION:** Floor Care
- **MATERIALS:**
 - HOUSINGS:** Nylon
 - VALVES:** Viton
 - DIAPHRAGM:** Santoprene
 - FASTENERS:** Stainless Steel, Zinc Plated Carbon Steel
- **LIQUID TEMPERATURE:** 170°F (77°C) Max.
- **PUMP CERTIFICATIONS:** UL Recognized (UR E225352)
- **PRIMING CAPABILITIES:** 9 Feet



WEIGHT: 6 lbs.



Aquatec International, Inc.
17422 Pullman Street, Irvine, CA 92614
Sales: 949-225-2200 Fax: 949-225-2222
www.aquatec.com

58-FLC-170

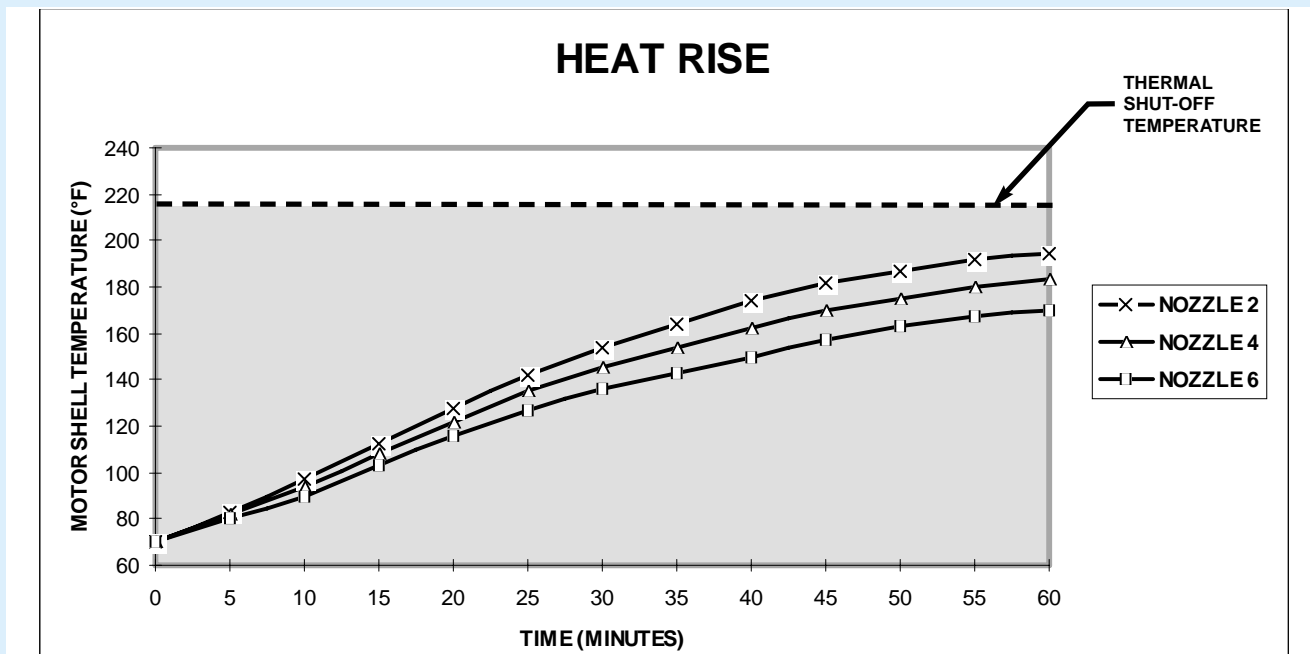
170 PSI, 115VAC FLOOR CARE PUMP

PERFORMANCE DATA			
NOZZLE SIZE	DISCHARGE PRESSURE (PSI)	FLOW (GPM)	CURRENT (AMPS)
NUMBER 2	145	0.50	1.36
NUMBER 4	120	0.80	1.26
NUMBER 6	90	0.98	1.09

PERFORMANCE MEASURED WITH FLOODED INLET (0 PSI), 70°F (21°C) AMBIENT AND WATER TEMPERATURE, AND VOLTAGE CONTROLLED AT 115 VAC. POSITIVE INLET PRESSURE WILL INCREASE THE DISCHARGE PRESSURE BY A SIMILAR AMOUNT, FOR A GIVEN FLOW. MAXIMUM INLET PRESSURE IS 60 PSI.

NOTES:

- NOT RECOMMENDED FOR NOZZLES SMALLER THAN NUMBER TWO
- REQUIRES MINIMUM SYSTEM PRESSURE RELIEF VALVE SETTING OF 275 PSI WITH HEATER EQUIPPED UNITS



This pump model is in the shaded area of the Performance Data and Heat Rise charts, meaning it is capable of sustaining continual running at any of the above listed pressures, without shutting down to allow the motor to cool. To conserve wearing parts, however, the pump should only operate as needed.

ALL PERFORMANCE AND HEAT RISE FIGURES ARE APPROXIMATE. ACTUAL VALUES WILL VARY WITH AMBIENT CONDITIONS.