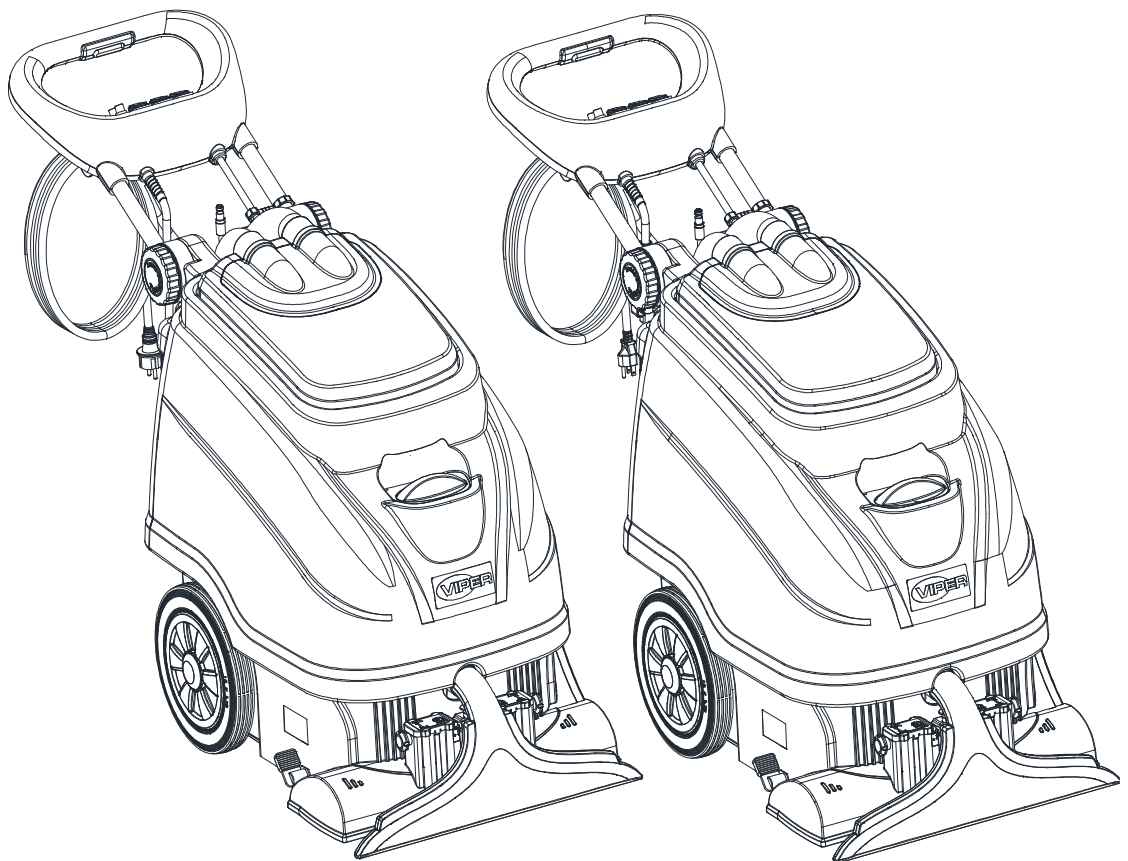


CEX410-EU/US/CN 16 INCH /406mm

CARPET EXTRACTOR PART LISTS



Rev.A 2018.05.04

1 / 20

The logo for 'VIPER' is displayed in a bold, black, sans-serif font. The letters are contained within a red oval shape.

TABLE OF CONTENTS

HANDLE ASSEMBLY PARTS.....	3-4
WATER TANK ASSEMBLY PARTS.....	5-6
BOTTOM BASE ASSEMBLY PART 1.....	7-8
BOTTOM BASE ASSEMBLY PARTS 2.....	9-10
BOTTOM BASE ASSEMBLY PARTS 3.....	11-12
BOTTOM BASE ASSEMBLY PARTS 4.....	13-14
HANDLE TOOL ASSEMBLY PARTS.....	15-16
BIG TRIANGLE SUCTION TOOL ASSEMBLY PARTS.....	17-18
WEAR AND TEAR PARTS.....	18-19
WIRING DIAGRAM.....	20

WHEN ORDERING PARTS

*Use the part numbers from the "Part. No." columns in this parts list.

*Specify the model and serial number of the machine.

*Use the space below to record the model and serial number for future reference.

Model

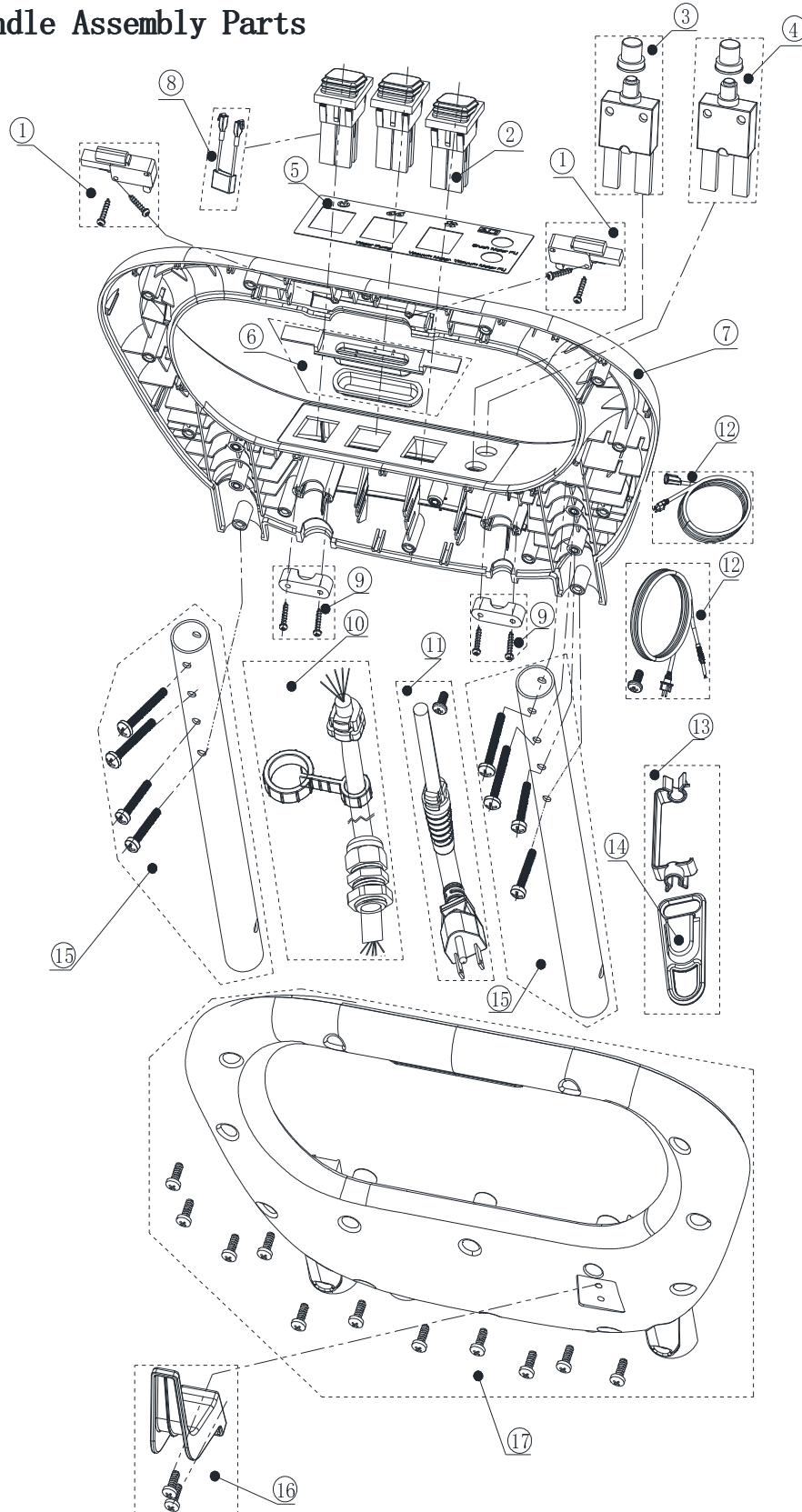
Serial No.

* = Optional

= Modified item No. or New item No.

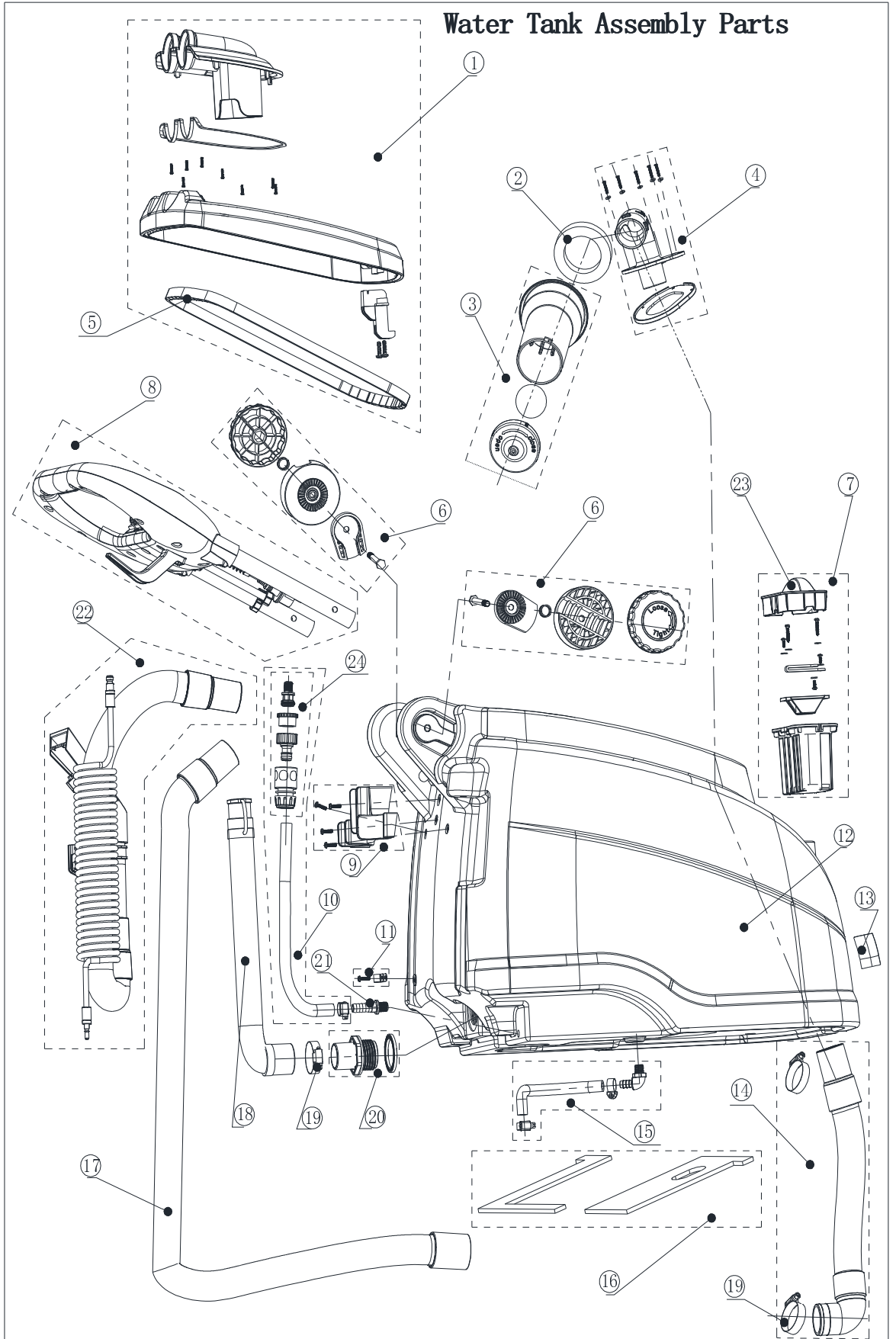
[] = Not shown

Handle Assembly Parts



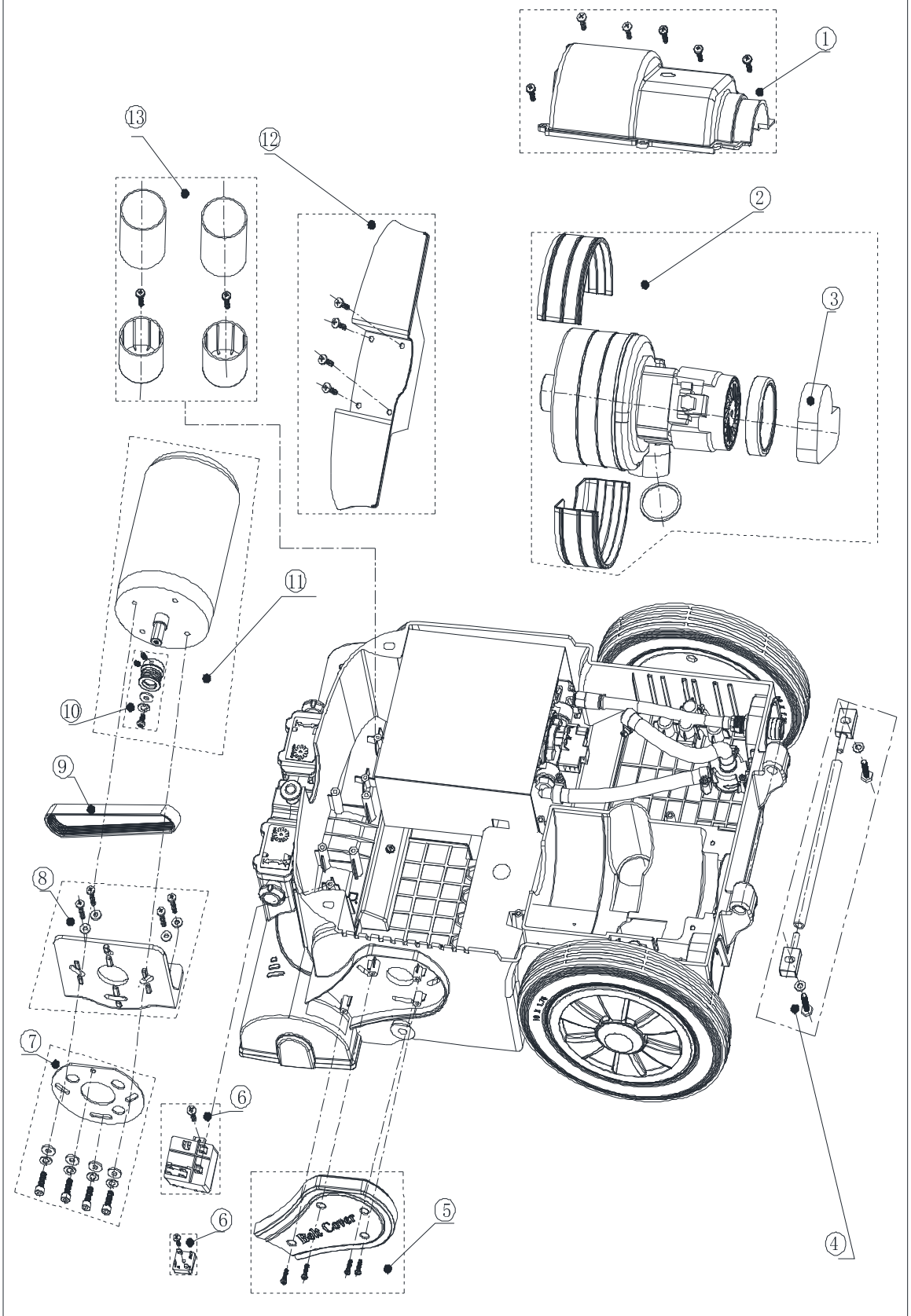
Handle Assembly Parts			
ITEM	PART NUMBER	DESCRIPTION	QTY.
1	VV81063	Micro switch for roller brush and pump Kit	2
2	VA81940	Rocker power switch	3
3	VV81065	12A Circuit breaker US	1
	VV81064	6A Circuit breaker EU	1
4	VV81064	6A Circuit breaker US	1
	VV81342	4A Circuit breaker EU	1
5	VV81201	Control panel label	1
6	VV81066	Plastic button kit	1
7	VV81101	Handle front cover	1
8	VA80705	Emc capacitor kit	1
9	VV81074	Wire clip kit	1
10	VV81069	Main cable kit	1
11	VV81070	US pig tail cord kit	1
12	VV81428-1	15m EU cord kit	1
	VV67116	US extension cord 50 feet	1
	VV81430-1	15m CN cord kit	1
13	VV81071	Power cord connection plate kit US	1
14	56382008	Belt clips EU CN	1
15	VV81072	Handle iron pipe kit	2
16	VV81073	Cord hook kit	1
17	VV81067	Hand rear cover kit	1

Water Tank Assembly Parts



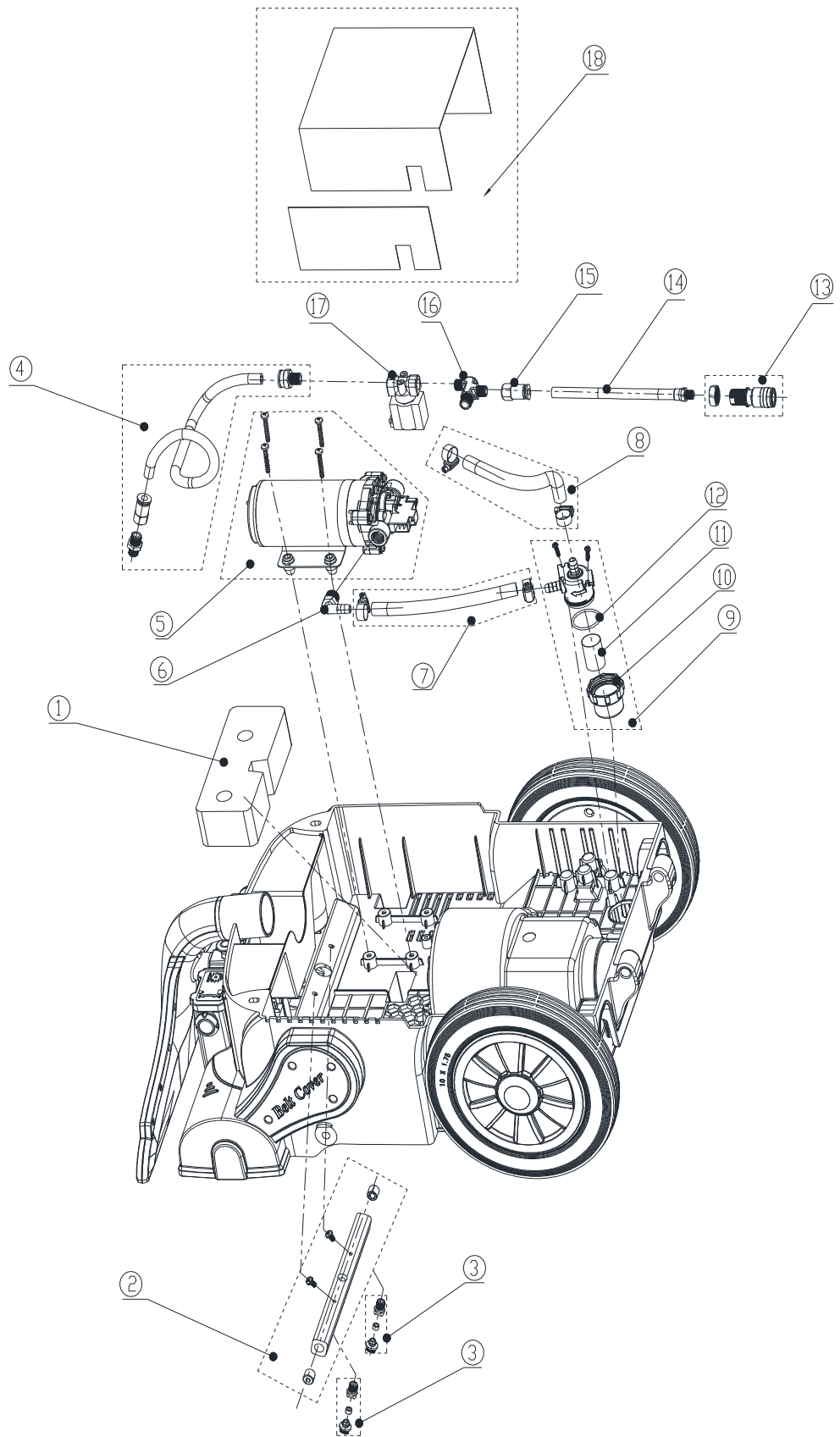
Water Tank Assembly Parts			
ITEM	PART NUMBER	DESCRIPTION	QTY.
1	VV81054	Recovery tank lid kit	1
2	VV81210	Float ball Cage filter sponge	1
3	VV81075	Float ball cage kit	1
4	VV81076	Float mounting bracket kit	1
5	VV81022	Recovery tank lid gasket	1
6	VV81077	Handle adjusting parts kit	2
7	VV81078	Solution tank lid kit	1
8	VV81051	US version handle assembly kit	1
	VV81048	EU version handle assembly kit	1
	VV81050	CN version handle assembly kit	1
9	VV81079	Hose clip kit	1
10	VV81080	Solution tank water level hose kit	1
11	VV81081	Main cord sleeve kit	1
12	VV81141	Water tank	1
13	VV81014	Viper logo Label	1
14	VV81324	Exhaust Hose kit	1
15	VV81326	PVC hose with spring kit	1
16	VA82183	Water tank EVA sealing mat kit	1
17	VV81158	Vacuum hose	1
18	VV81159	Drain hose	1
19	VA20304	CLAMP,HOSE 7/4"	3
20	VV81082	Drain hose connector kit	1
21	VF85105	Water level hose connector	1
22	VV81250	Handle tool kit(Optional part)	1
23	VV81116	Solution lid	1
24	VV81352	Plastic quick connector kit	1

Bottom Base Assembly Parts 1



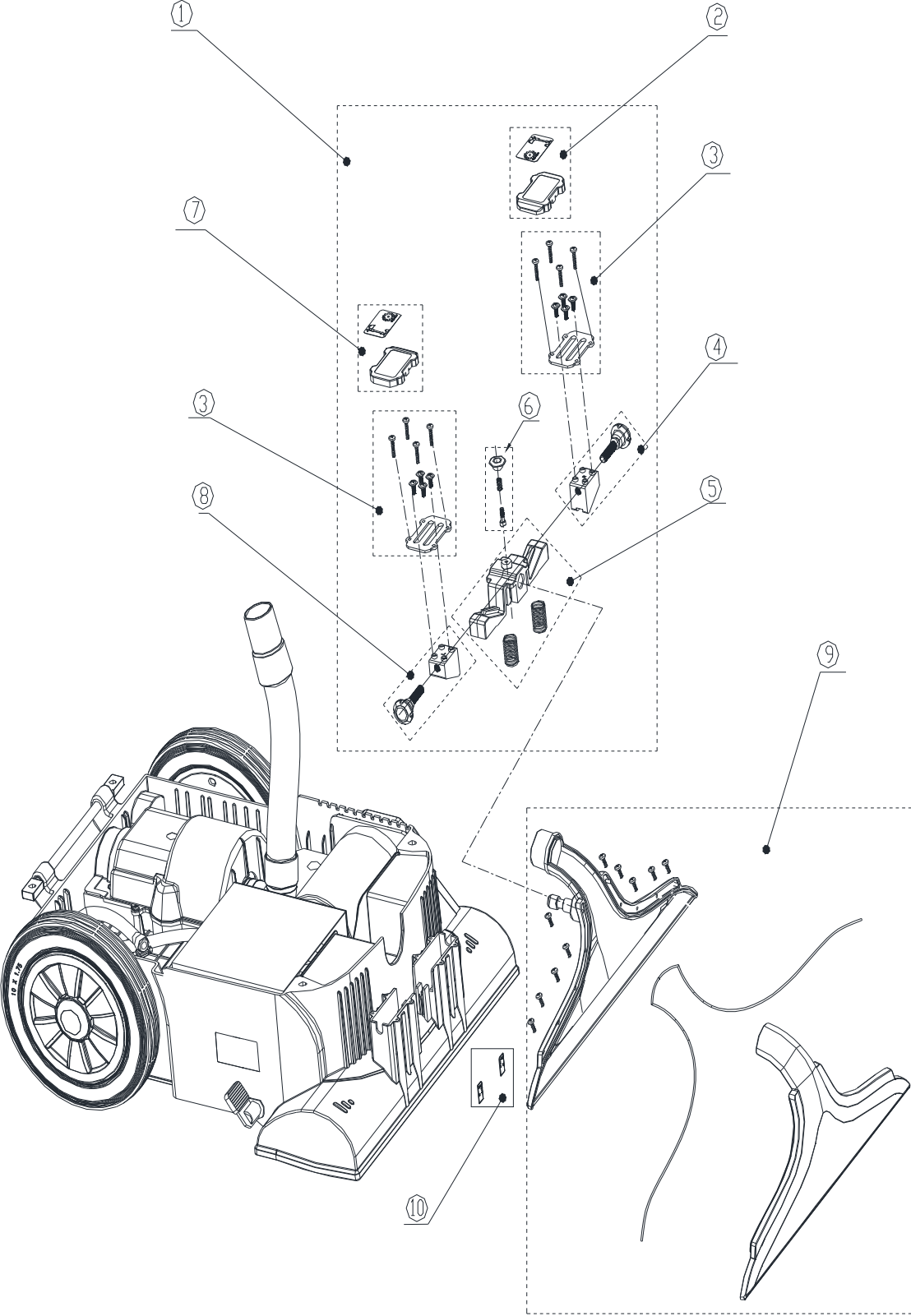
Bottom Base Assembly Parts 1			
ITEM	PART NUMBER	DESCRIPTION	QTY.
1	VV81083	Vacuum motor cover kit	1
2	VV81327	120V vacuum motor kit	1
	VV81328	220~240 vacuum motor kit	1
3	VV81215	Motor suction gate sponge	1
4	VV81085	Water tank rotation shaft kit	1
5	VV81086	Belt cover kit	1
6	VV81330	US Rectifier kit	1
	VV81329	EU Rectifier kit	1
7	VV81088	Brush motor attachment kit	1
8	VV81089	Brush mounting base kit	1
9	VV81042	V belt	1
10	VV81090	Main Sheave kit	1
11	VV81331	120V brush motor kit	1
	VV81332	230~240V brush motor kit	1
12	VV81091	Waterproof baffle kit	1
13	VV81321	Capacity holder kit EU	1

Bottom Base Assembly Parts 2



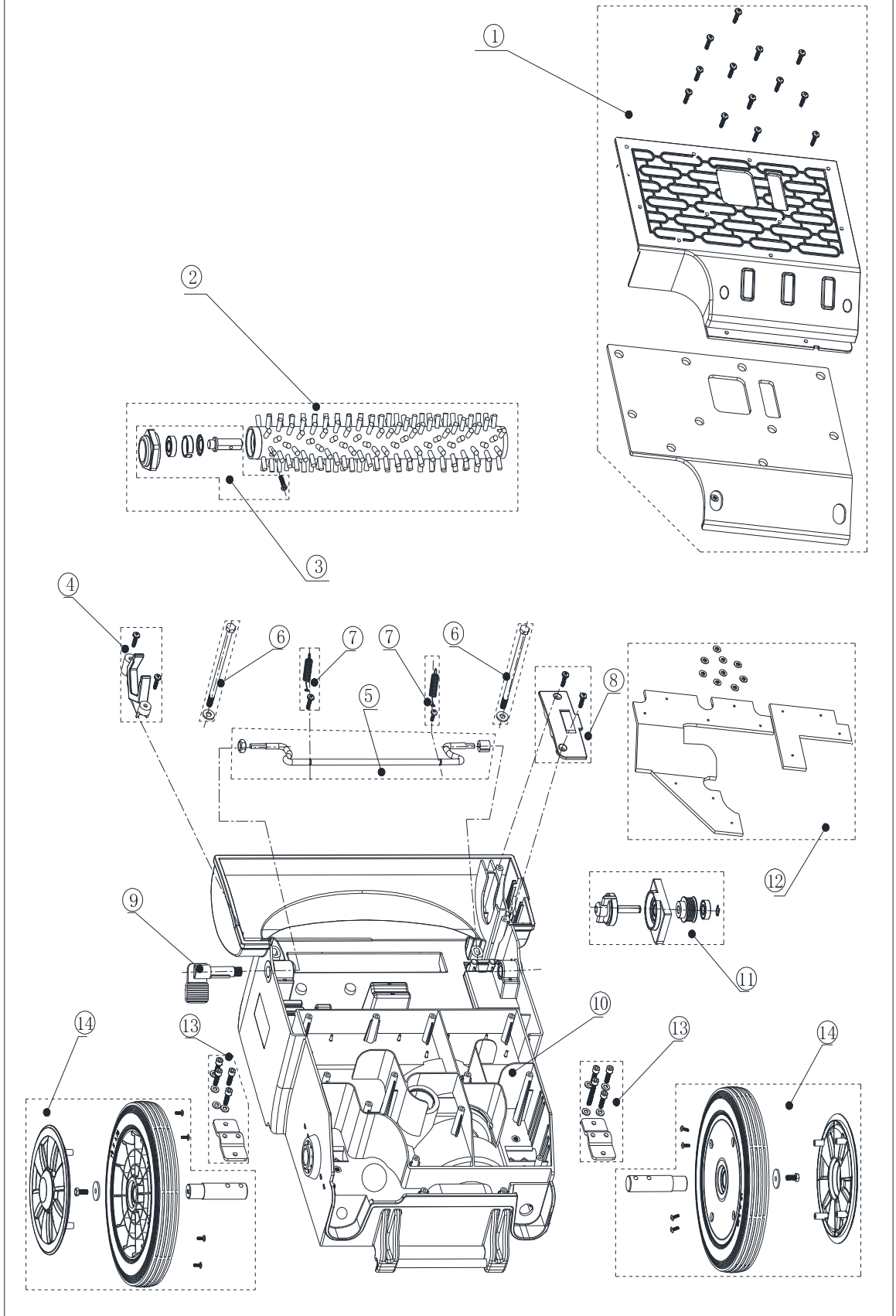
Bottom Base Assembly Parts 2			
ITEM	PART NUMBER	DESCRIPTION	QTY.
1	VV81214	Sponge for exhaust hose	1
2	VV81100	Spray tube kit	1
3	VV81099	Spray nozzle kit	2
4	VV81335	Hi pressure water hose kit	1
5	VV81336	120V pump kit	1
	VV81337	230V~240V pump kit	1
6	VV81229	90 degree plastic connector	1
7	VV81338	Low pressure PVC hose kit	1
8	VV81339	Water hose with spring kit	1
9	VV81302	Solution filter kit	1
10	VF90603	Filter lid	1
11	VF90608	Filter	1
12	VF90607	O gasket ring	1
13	VV81303	Female quick connector kit	1
14	VV81224	Water hose with connector kit	1
15	VV81220	1/4" NPT quick connector	1
16	VA82108	Three-way connector	1
17	VV81427	120V solution solenoid	1
	VV81426	230V solution solenoid	1
18	VV81304	Pump water proof parts kit	1

Bottom Base Assembly Parts 3



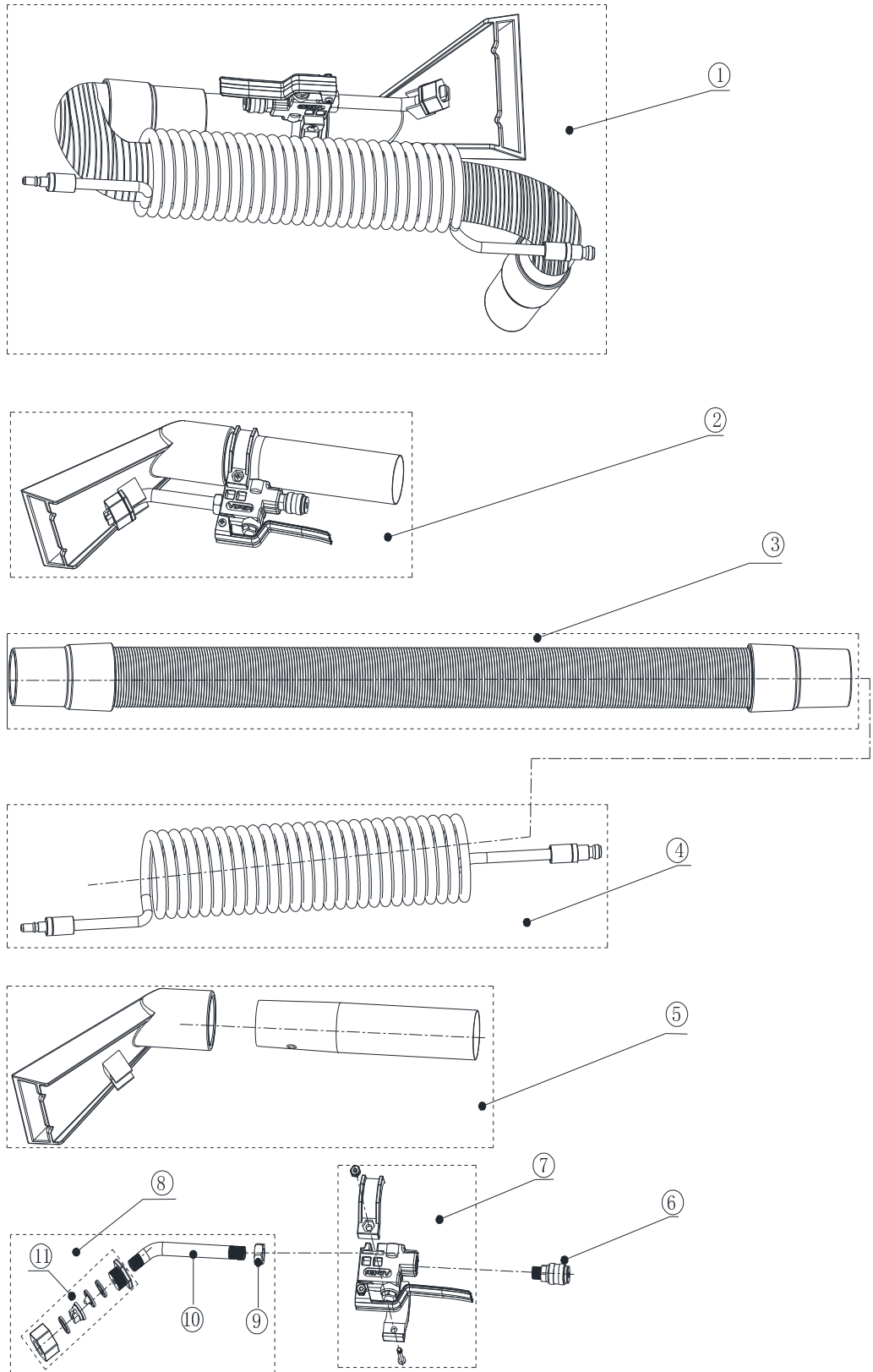
Bottom Base Assembly Parts 3			
ITEM	PART NUMBER	DESCRIPTION	QTY.
1	VV81333	Vacuum shoe holder kit	1
2	VV81093	Right adjusting cover kit	1
3	VV81094	Adjusting pressing plate kit	2
4	VV81095	Right adjusting rotary knob kit	1
5	VV81343	Vacuum shoe bracket kit	1
6	VV81096	Vacuum shoe releasing knob kit	1
7	VV81097	Left adjusting cover kit	1
8	VV81098	Left adjusting rotary knob kit	1
9	VV81249	Vacuum shoe kit	1
10	VV81334	Scale label kit	1

Bottom Base Assembly Parts 4



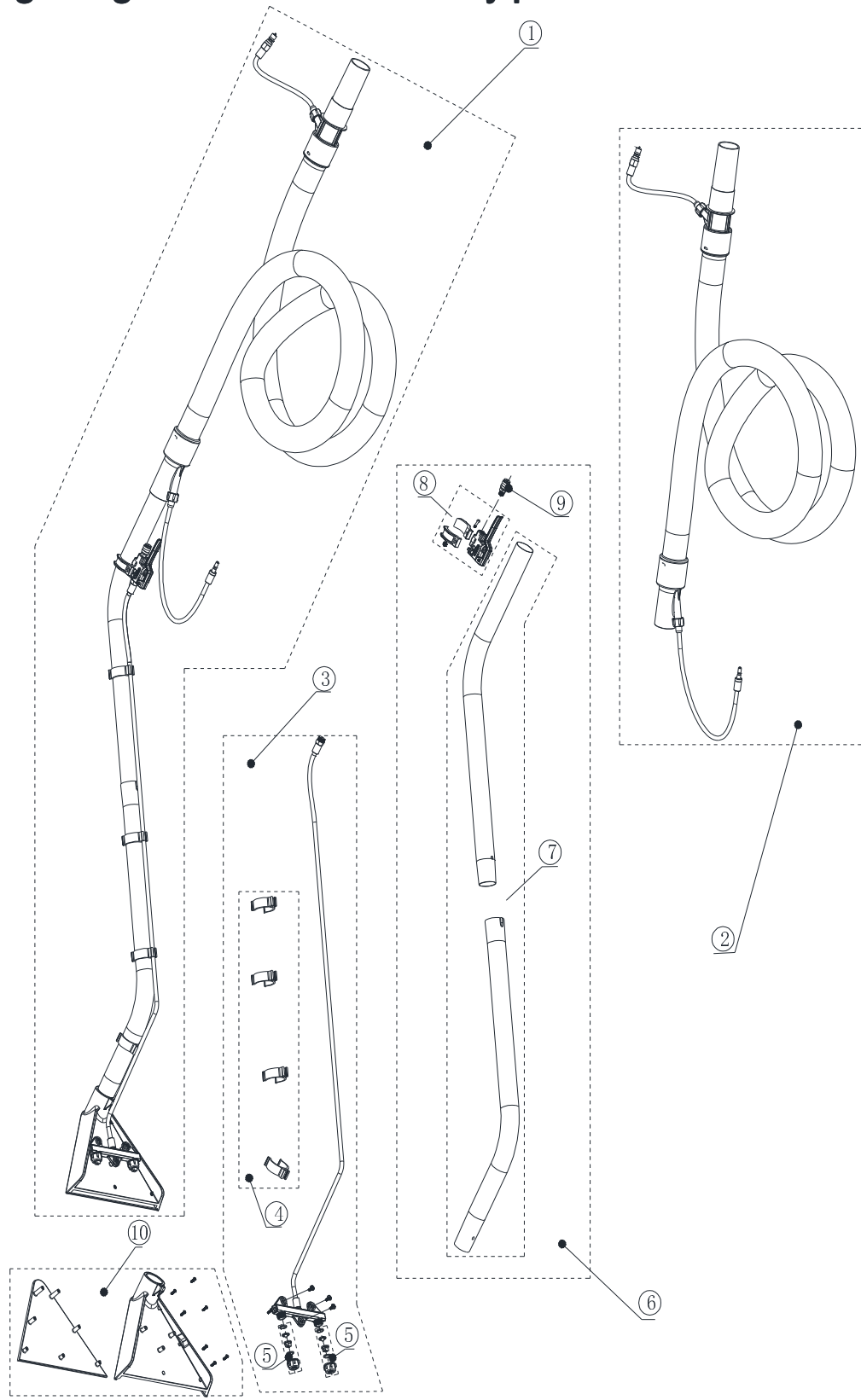
Bottom Base Assembly Parts 4			
ITEM	PART NUMBER	DESCRIPTION	QTY.
1	VV81305	Bellows cover plate kit	1
2	VV81059	Roller brush assembly kit	1
3	VV81340	Roller brush shaft assembly kit	1
4	VV81306	Roller brush mounting clip kit	1
5	VV81348	Storage base kit	1
6	VV81307	Locking water tank screw kit	2
7	VV81310	Storage stand spring kit	2
8	VV81308	Roller brush Cover kit	1
9	VV81135	Foot pedal	1
10	VV81130	Bottom Base	1
11	VV81060	Driven pulley kit	1
12	VV81311	Bottom mute sponge kit	1
13	VV81309	Shaft pressing plate kit	2
14	VV81056	Wheel assembly kit	2

Handle Tool Assembly Parts



Handle Tool Assembly Parts (optional parts)			
ITEM	PART NUMBER	DESCRIPTION	QTY.
1	VV81250	Handle tool kit (Optional part)	1
2	VV81314	Handle tool assembly 1	1
3	VV81161	Handle tool vacuum hose	1
4	VV81252	Handle tool solution hose kit	1
5	VV81347	Hand tool stainless tube and triangle part kit	1
6	VA80924	Female stainless quick connector	1
7	VA81192	Control valve kit	1
8	VV81349	Handle tool spray kit	1
9	VA80895	Bend tube fixing nut	1
10	VA81291	Stainless bent tube of handle tool	1
11	VV81341	Handle tool Spray jet kit	1

Big triangle suction tool assembly parts

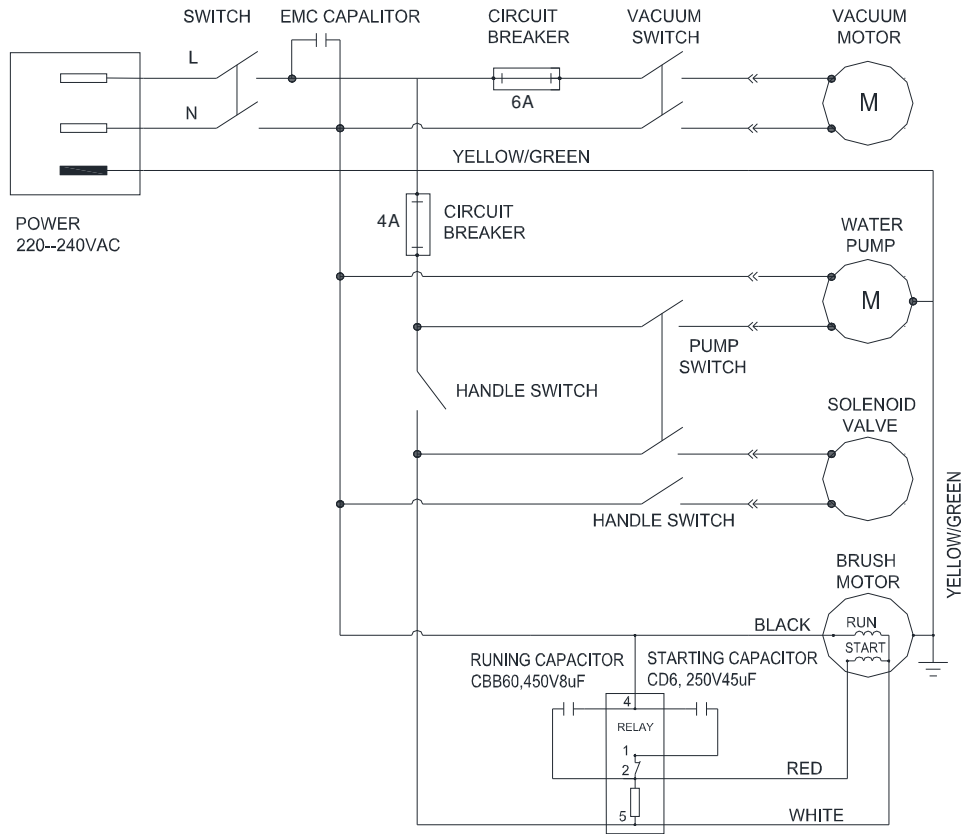


Big triangle suction tool assembly parts (optional parts)			
ITEM	PART NUMBER	DESCRIPTION	QTY.
1	VV81316	Floor tool kit	1
2	VV81317	2.5m floor tool hose kit	1
3	VA81099	Floor tool solution hose kit	1
4	VV81320	Solution clip kit	1
5	VV81318	Spray jet kit of floor tool	2
6	VV81319	Stainless tube and control valve kit	1
7	VA81100	Stainless bend tube kit	1
8	VA81192	Control valve kit	1
9	VA80924	Female stainless quick connector	1
10	VA81102	Floor tool head kit	1

CEX410 Carpet Extractor Wear and Tear Parts			
ITEM	PART NUMBER	DESCRIPTION	QTY.
1	VV81063	Micro switch for roller brush and pump Kit	2
2	VA81940	Rocker power switch	3
3	VV81065	12A Circuit breaker US	1
4	VV81064	6A Circuit breaker EU	1
5	VV81064	6A Circuit breaker US	1
6	VV81342	4A Circuit breaker EU	1
7	VV81428-1	15m EU cord kit	1
8	VV67116	US extension cord 50 feet	1
9	VV81430-1	15m CN cord kit	1
10	VV81070	US version pig tail cord kit	1
11	VV81022	Recovery tank lid gasket	1
12	VV81324	Exhaust Hose kit	1
13	VV81158	Vacuum hose	1
14	VV81159	Drain hose	1
15	VV81080	Solution tank water level hose kit	1

CEX410 Carpet Extractor Wear and Tear Parts			
ITEM	PART NUMBER	DESCRIPTION	QTY.
16	VV81250	Handle tool kit (Optional part)	1
17	VV81331	120V brush motor kit	1
18	VV81332	230~240V brush motor kit	1
19	VV81327	120V vacuum motor kit	1
20	VV81328	230~240 vacuum motor kit	1
21	VV81249	Vacuum shoe kit	1
22	VV81337	230V~240V pump kit	1
23	VV81336	120V pump kit	1
24	VV81099	Spray nozzle kit	2
25	VV81303	Female quick connector kit	1
26	VV81427	120V solution solenoid	1
27	VV81426	230V solution solenoid	1
28	VV81059	Roller brush assembly kit	1
29	VV81056	Wheel assembly kit	1
30	VV81060	Driven pulley kit	1
31	VV81090	Main Sheave kit	1
32	VV81161	Handle tool vacuum hose	1
33	VV81252	Handle tool solution hose kit	1
34	VA80924	Female stainless quick connector	1
35	VA81192	Control valve kit	1
36	VV81341	Handle tool Spray jet kit	1
37	VV81316	Floor tool kit	1
38	VV81317	2.5m floor tool hose kit	1
39	VV81318	Spray jet kit of floor tool	2

CEX410-EU Wiring Diagram



CEX410-US Wiring Diagram

