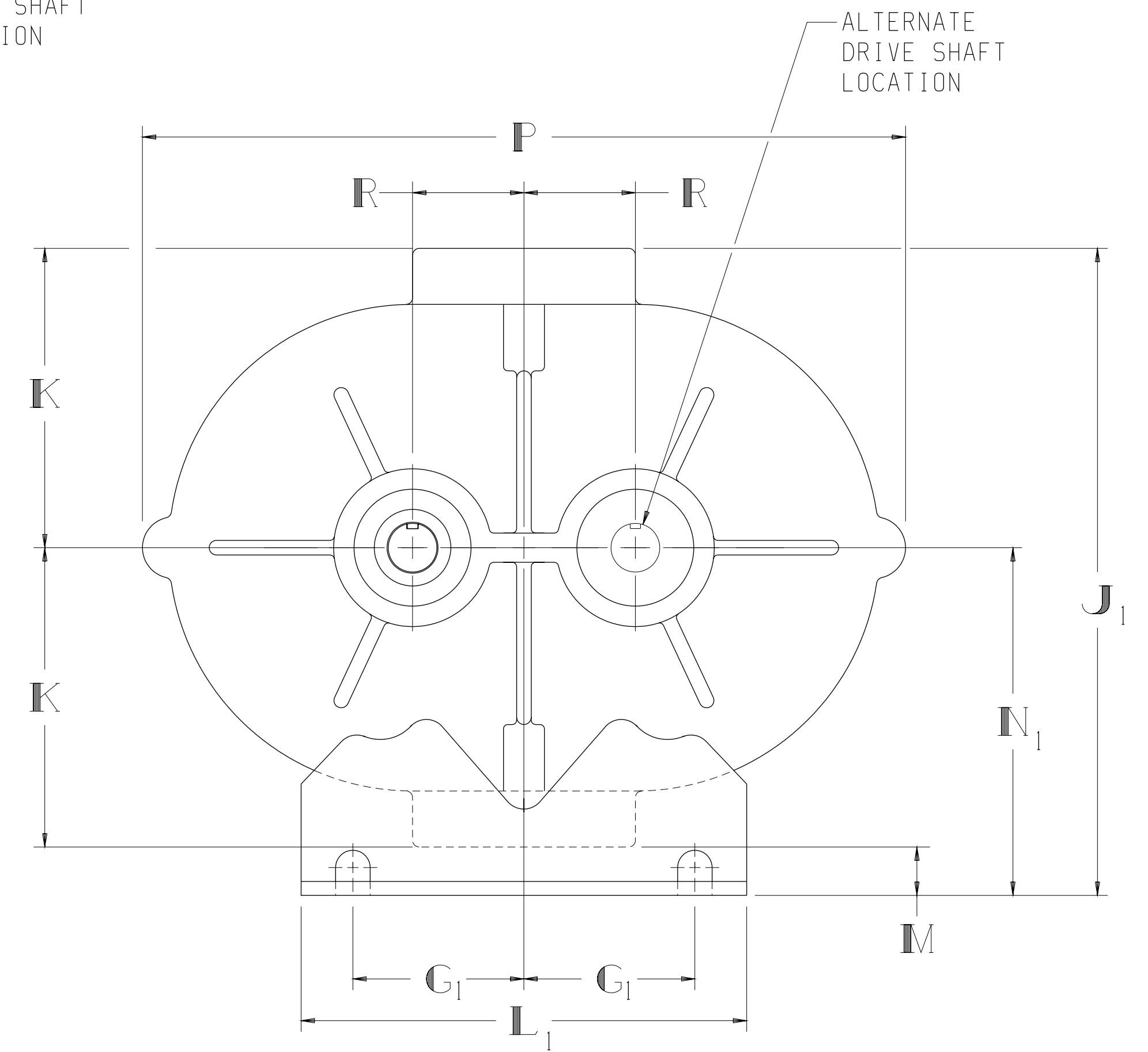


HORIZONTAL FLOW



VERTICAL FLOW

BLOWER MODEL	A	B	C	D	E	F		G <sub>1</sub>		G <sub>2</sub>		H	J <sub>1</sub>	J <sub>2</sub>	K	L <sub>1</sub>	L <sub>2</sub>	M	N <sub>1</sub>	N <sub>2</sub>	N <sub>3</sub>	P	R	S	T	U	V	KEYWAY	WEIGHT LBS
						MIN	MAX	MIN	MAX	MIN	MAX																		
3003	12 3/8	6 1/8	3 13/16	2 7/16	2 NPT	3	3 1/8	2 1/16	2 1/16	2 1/16	2 1/16	7 5/8	9 5/8	12 13/16	4 5/8	7 1/4	7 1/4	3/8	5	8 1/2	5	12 3/16	1 3/4	6 3/4	1 3/4	1/2	7/8	3/16 X 3/32	88
3006	14 3/4	7 5/16	5	2 7/16	2 1/2 NPT	4 3/16	4 5/16	2 1/16	2 1/16	2 1/16	2 1/16	10	9 5/8	12 13/16	4 5/8	7 1/4	7 1/4	3/8	5	8 1/2	5	12 3/16	1 3/4	6 3/4	1 3/4	1/2	7/8	3/16 X 3/32	120
4005	15 1/16	7 5/8	5 1/16	3	2 1/2 NPT	4	4 1/4	3 1/16	3 1/16	3 1/16	3 1/16	10	11 9/16	15 1/8	5 5/16	8	8	15/16	6 1/4	10 1/4	6 1/4	13 11/16	2	8 1/4	2	1/2	7/8	3/16 X 3/32	127
4007	17 7/16	8 1/2	5 15/16	3	3 NPT	4 7/8	5 1/8	3 1/16	3 1/16	3 1/16	3 1/16	11 3/4	11 9/16	15 1/8	5 5/16	8	8	15/16	6 1/4	10 1/4	6 1/4	13 11/16	2	8 1/4	2	1/2	7/8	3/16 X 3/32	146
5006	17 7/8	8 11/16	5 13/16	3 3/8	4 NPT	4 1/16	4 7/8	3 1/2	3 1/2	3 1/2	3 1/2	11 1/16	13 1/4	17 3/8	6 1/2	10 1/2	10 1/2	1/4	6 3/4	11 1/4	6 1/4	17 3/16	2 1/2	8 3/4	1 7/8	1/2	1 1/8	1/4 X 1/8	196
5009	20 7/8	10 3/16	7 5/16	3 3/8	4 NPT	6 3/16	6 3/8	3 1/2	3 1/2	3 1/2	3 1/2	14 1/16	13 1/4	17 3/8	6 1/2	10 1/2	10 1/2	1/4	6 3/4	11 1/4	6 1/4	17 3/16	2 1/2	8 3/4	1 7/8	1/2	1 1/8	1/4 X 1/8	235

NOTES:

1. REFER TO CURRENT MAINTENANCE MANUAL FOR SERVICE INSTRUCTIONS.

△ BREATHERS, OIL LEVEL GAUGES AND DRAIN PLUGS TO BE SWITCHED, ALONG WITH THE MOUNTING FEET, WHEN CONVERTING FROM HORIZONTAL TO VERTICAL FLOW, AND VICE VERSA, PER THE MAINTENANCE MANUAL INSTRUCTIONS.



ROTARY BLOWER OUTLINE

SIZE: D2 21N SERIES

DR\_TK 6-15-05 CH\_BD 6-16-05