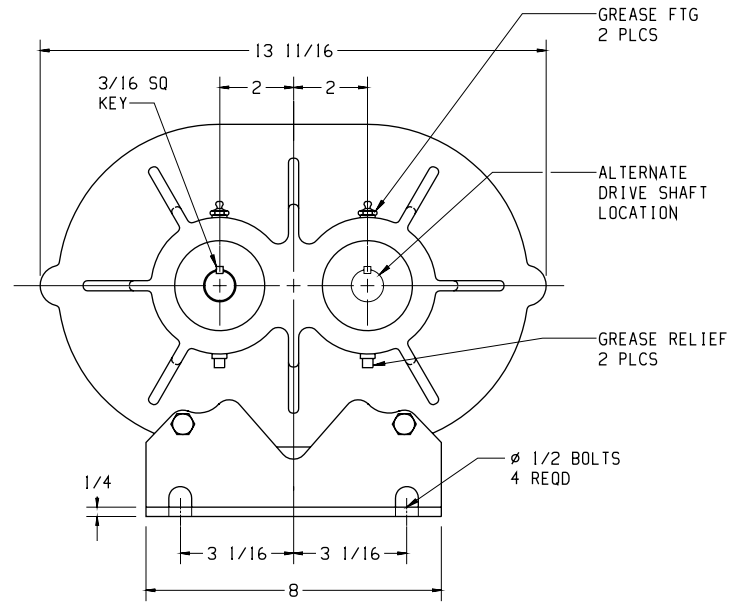
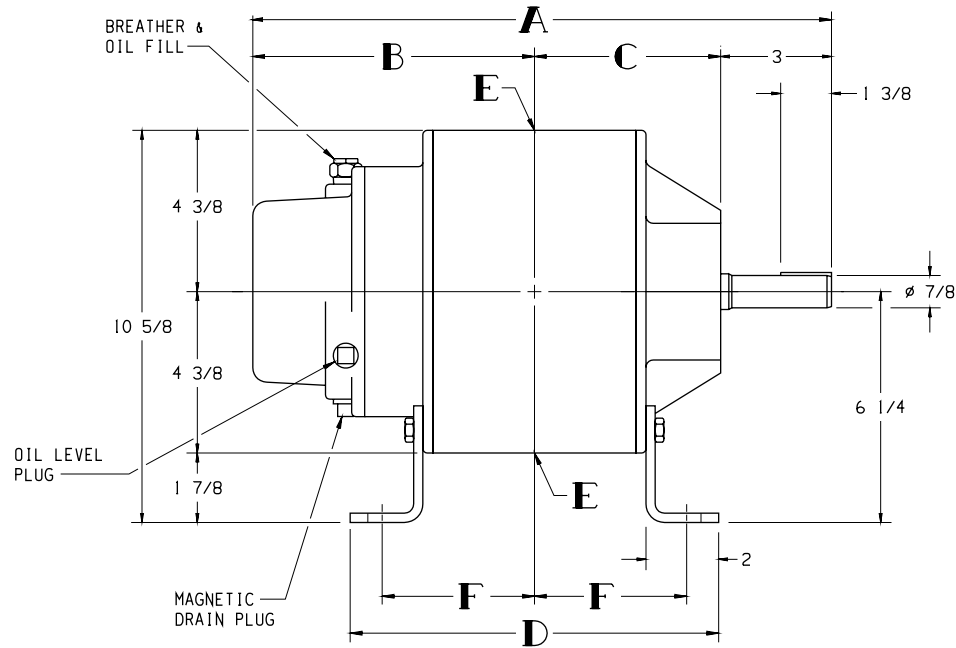
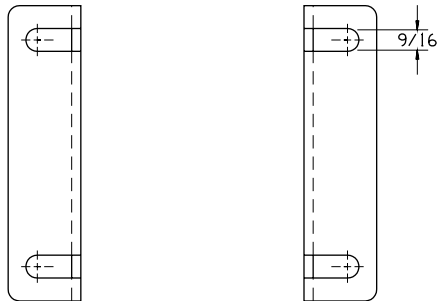


| BLOWER MODEL | A | B | C | D | E | F | | WEIGHT LBS |
|--------------|----------|-------|---------|--------|-----------|-------|-------|------------|
| | | | | | | MIN | MAX | |
| 4002 | 12 15/16 | 6 1/4 | 3 11/16 | 7 1/4 | 1 1/2 NPT | 2 5/8 | 2 7/8 | 95 |
| 4005 | 15 11/16 | 7 5/8 | 5 1/16 | 10 | 2 1/2 NPT | 4 | 4 1/4 | 119 |
| 4007 | 17 7/16 | 8 1/2 | 5 15/16 | 11 3/4 | 3 NPT | 4 7/8 | 5 1/8 | 138 |



4005 LEFT DRIVE SHOWN



BOTTOM VIEW OF FEET

NOTE:
REFER TO CURRENT MAINTENANCE
MANUAL FOR SERVICE INSTRUCTIONS

TUTHILL
Vacuum & Blower Systems
© Springfield, Missouri USA

ROTARY BLOWER OUTLINE

4000-21L/21R

DR BD 3-8-05 CH BD 3-8-05

SIZE# C4 SCALE# 3/8 WT LBS