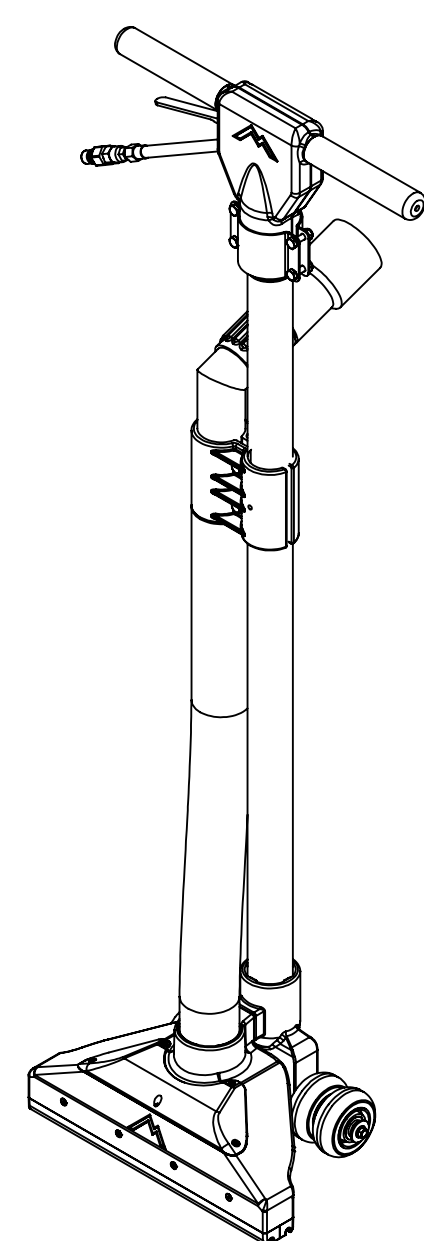


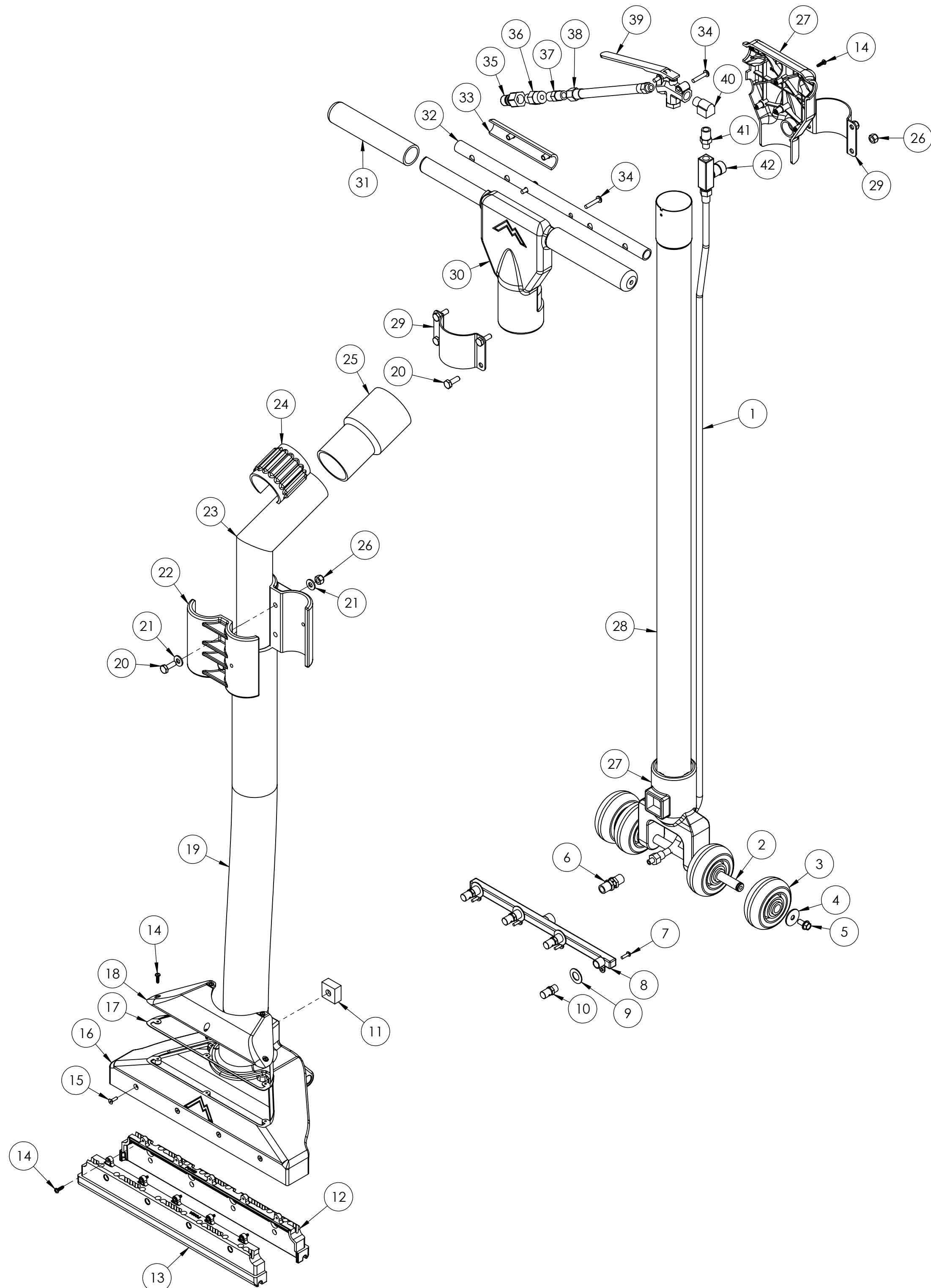
ITEM NO.	PART NO.	DESCRIPTION	QTY.
1	AH111	sol hose, 1/4" x 50" (OAL), bentleys	1
2	H658	axle, 10.50" x .50" dia	1
3	H358B	wheel, 3"	4
4	H211	washer, 1/4" id x 1" od, flat, s/s	2
5	H770	bolt, 1/4-20 x 1/2" serrated hex flange, zinc	2
6	B108	valve, brass, 1/4" check	1
7	H356	screw, 6-32 x 1/2" phil pan head, s/s	4
8	H656C	spraybar, speed wand	1
9	G105	gasket, valve, buna, handtool	4
10	B185	jet, 1/8" mpt, 1/8 tek 2.0, flood jet, brass	4
11	H619	magnet, block, 1" x 1" x 1/2"	1
12	P619D	glide, back, 14", 8314P	1
13	P619A	glide, front, 14", 8314P	1
14	H155	screw, #8 x 5/8", phil pan, s/s	16
15	H???	screw, coutnersunk, self-tapping, 1/2"	4
16	H656	vacuum manifold, speed wand	1
17	G134	gasket, sight window, 8314SW	1
18	P620	sight window, speed wand	1
19	H391	hose, vac, 2" x 3', 8314SW	1
20	H202	bolt, 1/4-20 x 3/4" hex head, s/s	6
21	H210	washer, 1/4" flat, s/s	4
22	H276	clamp, vacuum elbow, TRex	2
23	H093	tube, vac elbow, 2" dia	1
24	G082A	sleeve, vac relief, 2", spin	1
25	H302	cuff, hose, 2" x 2.5", swivel, grey	1
26	H216	nut, lock, 1/4-20, nylon insert, s/s	6
27	H657	yoke, speed wand	1
28	H659	tube, speed wand	1
29	H721	clamp, speed wand	2
30	H258	handle front, speed wand	1
31	G040	grip, handle, vinyl	2
32	H660	handle, reinforcement, speed wand	1
33	P522	handle, back half, T-REX	2
34	H231	screw, 10-32 x 1" phil pan head, s/s	4
35	B101	qd, brass, 1/4" m	1
36	B247	filter, in-line, 100 mesh, 1/4" mpt x fpt	1
37	B107	nipple, brass, 1/4"m, hex	1
38	AH122	sol hose, 1/4" x 7", 1/4 mpt x 1/4 fpt	1
39	B133-A	valve, brass, K, w/ trigger for wands	1
40	B103	elbow, brass, 90 deg, 1/4"mpt x 1/4" fpt	1
41	B194	nipple, hex, 1/4" mpt x 1/8" mpt	1
42	B237A	valve, flow, 1/8"	1

REVISIONS			
REV.	DESCRIPTION	DATE	APPROVED
OD	ORIGINAL DRAFT	12/2017	JFL



DRAWN		NAME	DATE	<b>MYTEE PRODUCTS, INC.</b> <small>858-679-1191</small>
CHECKED		M.LaBarbera	3/2017	
COMMENTS:				TITLE:
<small>PROPRIETARY AND CONFIDENTIAL</small> <small>THE INFORMATION CONTAINED IN THIS DRAWING IS THE SOLE PROPERTY OF MYTEE PRODUCTS, INC. ANY REPRODUCTION IN PART OR AS A WHOLE WITHOUT THE WRITTEN PERMISSION OF MYTEE PRODUCTS, INC. IS PROHIBITED.</small>				<b>Bentley, speed wand</b>
SIZE	DWG. NO.	REV		
<b>C</b>	<b>8314SW</b>	<b>OD</b>		
SCALE: 1:12	DO NOT SCALE DRAWING	SHEET 1 OF 2		

REVISIONS			
REV.	DESCRIPTION	DATE	APPROVED
OD	ORIGINAL DRAFT	3/2017	JFL



	NAME	DATE	<b>MYTEE PRODUCTS, INC.</b> 858-679-1191	
DRAWN	M.LaBarbera	3/2017	TITLE: <b>Bentley, speed wand</b>	
CHECKED			SIZE	DWG. NO.
COMMENTS:			<b>C</b>	<b>8314SW</b>
<small>PROPRIETARY AND CONFIDENTIAL THE INFORMATION CONTAINED IN THIS DRAWING IS THE SOLE PROPERTY OF MYTEE PRODUCTS, INC. ANY REPRODUCTION IN PART OR AS A WHOLE WITHOUT THE WRITTEN PERMISSION OF MYTEE PRODUCTS, INC. IS PROHIBITED.</small>			SCALE: 1:12	DO NOT SCALE DRAWING
			SHEET 2 OF 2	REV <b>OD</b>