

# **SPARE PARTS CATALOGUE**

**: HUSQVARNA DM 400**

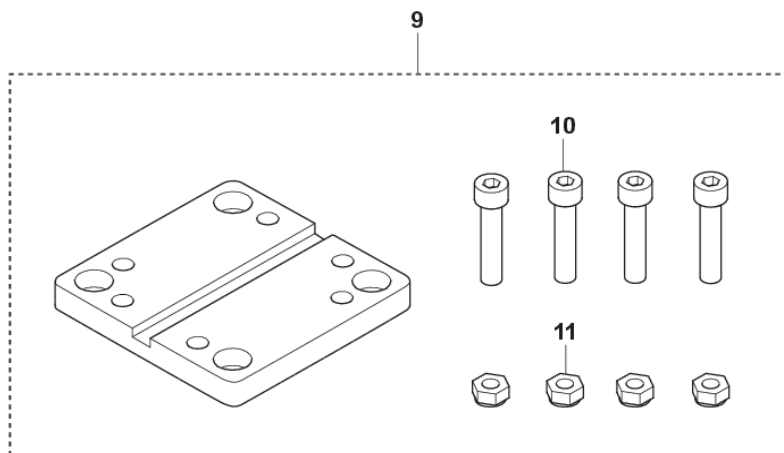
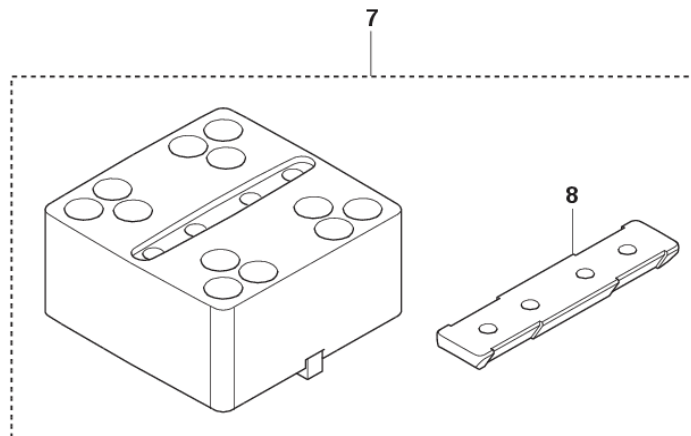
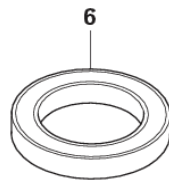
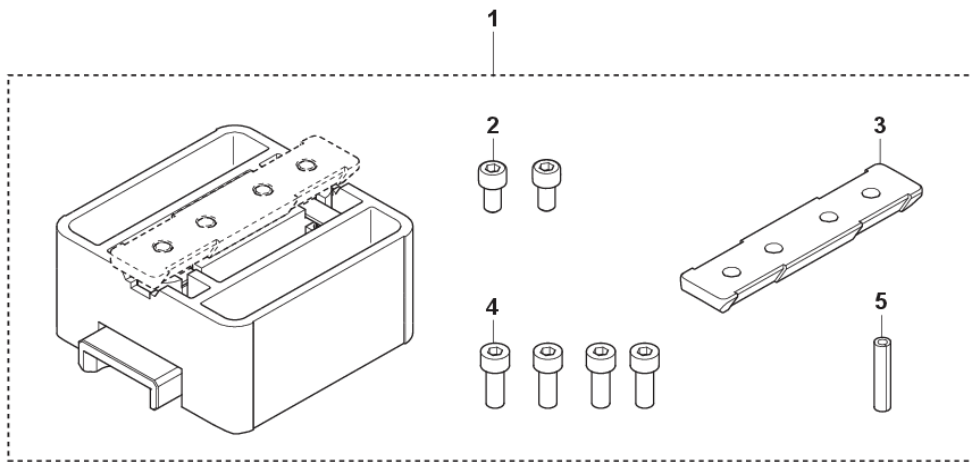
Spare Parts List

Frequent Parts

---

# **SPARE PARTS LIST**

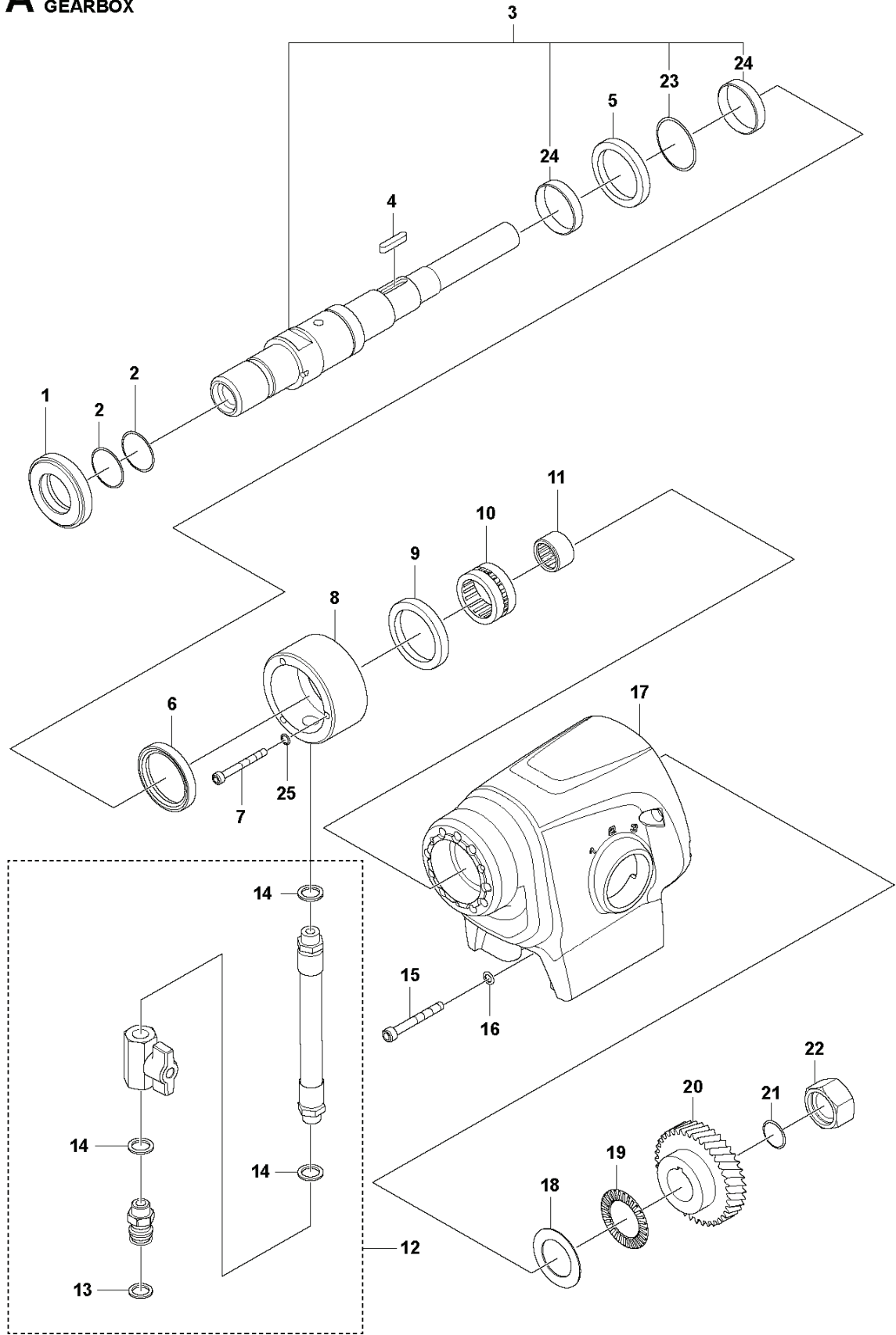
DM 280, 340, 400, 430, 650, 700, 406  
ACCESSORIES



---

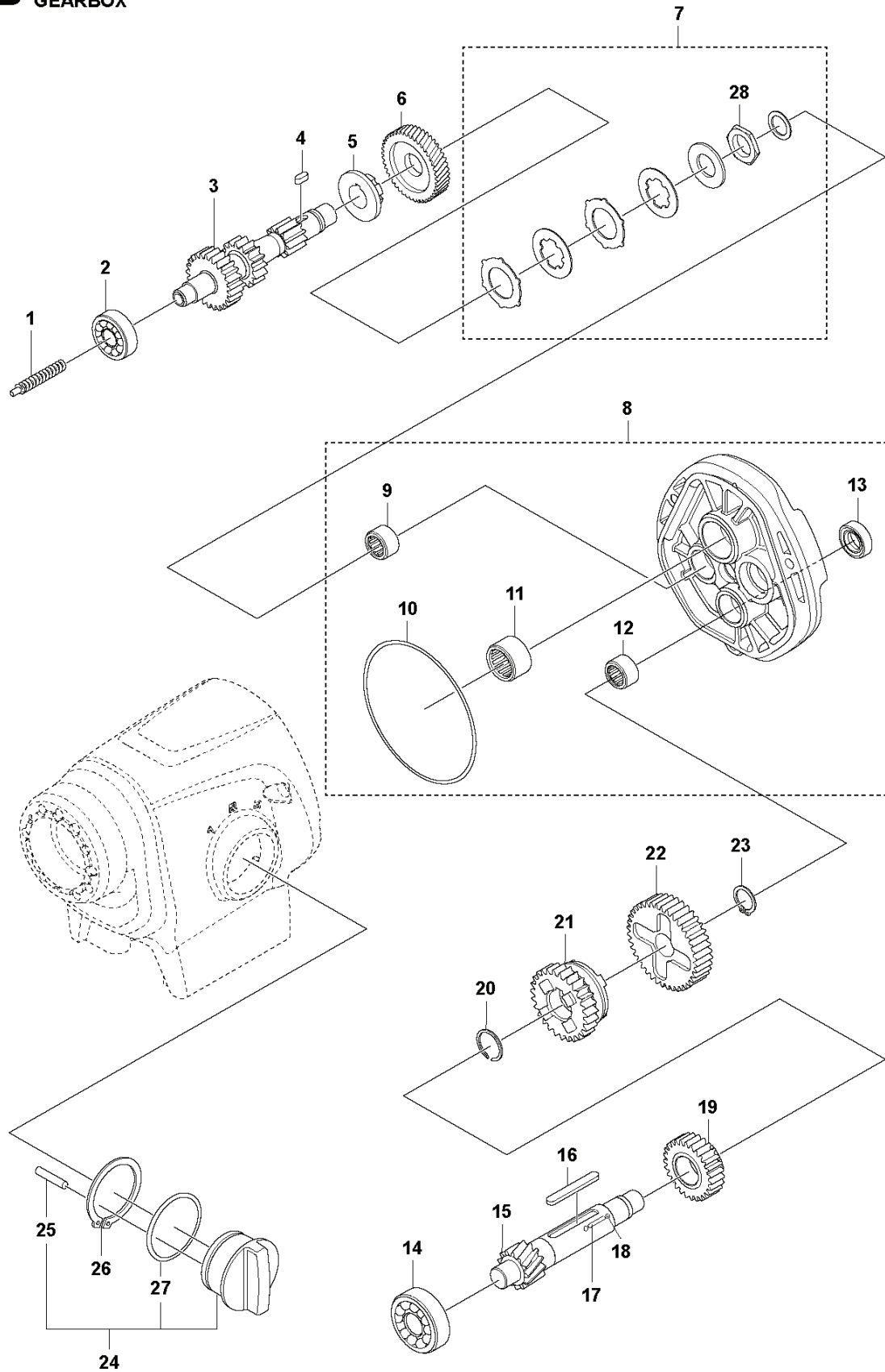
PXM_REF	PXM_PARTNO	DESCRIPTION	PXM_REMARK	QTY.
1	579501001	SPACER	50 mm	1
1	579501002	SPACER	100 mm	1
2	725532501	SCREW IHSCM		2
3	575808101	WEDGE		4
4	725544901	SCREW IHSCM		4
5	721434701	SPRING PIN		1
6	543052878	WATER COLLECTOR		1
7	575849701	SPACER		1
8	575808101	WEDGE		1
9	522936801	ADAPTER		1
10	725545901	SCREW IHSCM		4
11	732251801	HEXAGON LOCKING NUT		4

**A** DM 400 / DM 430  
GEARBOX



PXM_REF	PXM_PARTNO	DESCRIPTION	PXM_REMARK	QTY.
1	598762801	WASHER	QUICK RELEASE	1
2	598732701	O-RING		2
3	598731301	SPINDLE SHAFT	1 1/4" UNC	1
3	598731302	SPINDLE SHAFT	CR1 28	1
3	598731303	SPINDLE SHAFT	Japan	1
4	598732601	PARALLEL KEY		1
5	598732301	RADIAL SEAL		1
6	598732101	RADIAL SEAL		1
7	598762701	SCREW		3
8	598731201	BUSHING		1
9	598732201	RADIAL SEAL		1
10	598731501	BEARING		1
11	598731401	NEEDLE BEARING		1
12	598732801	HOSE ASSY		1
13	598732001	O-RING		1
14	598732501	SEALING RING		3
15	598762601	SCREW		3
16	598761701	WASHER		3
17	598731001	GEAR HOUSING		1
18	598762201	WASHER		1
19	598731601	BEARING		1
20	598738201	GEAR WHEEL		1
21	598731901	O-RING		1
22	598762501	NUT		1
23	598855401	O-RING		1
24	598855301	SLEEVE		2
25	529583501	WASHER		3

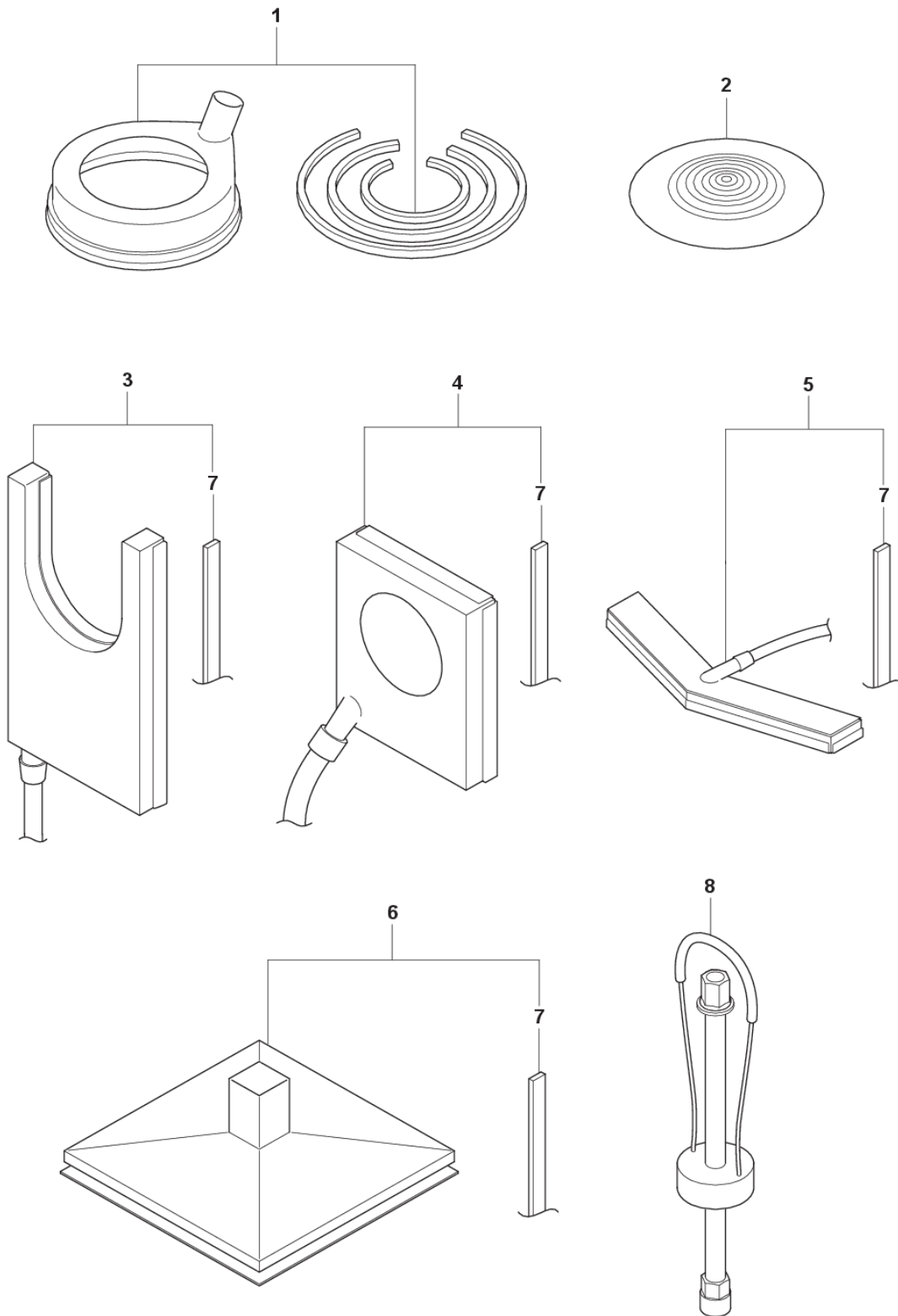
**B** DM 400  
GEARBOX



PXM_REF	PXM_PARTNO	DESCRIPTION	PXM_REMARK	QTY.
1	598733801	TUBE	SPIRAL	1
2	598734001	BALL BEARING		1
3	598733201	GEAR WHEEL SHAFT		1
4	598734901	PARALLEL KEY	A4x4x10	1
5	598733401	DRIVER		1
6	598733301	GEAR WHEEL		1
7	598775201	CLUTCH ASSY	SLIP CLUTCH	1
8	598735303	COVER ASSY		1
9	598734101	NEEDLE BEARING		1
10	598734401	O-RING		1
11	598734301	NEEDLE BEARING		1
12	598734201	NEEDLE BEARING		1
13	598733001	RADIAL SEAL		1
14	598733901	BALL BEARING		1
15	598738301	GEAR WHEEL SHAFT		1
16	598734801	PARALLEL KEY	A6x6x45	1
17	598734601	PRESSURE SPRING		1
18	598796901	BALL	GEAR CHANGE	2
19	598733601	GEAR WHEEL		1
20	598795601	RETAINER RING	DM650, CIRCLIP	1
21	598733701	GEAR WHEEL		1
22	598733501	GEAR WHEEL		1
23	598735201	CIRCLIP	16x1	1
24	598733101	GEARSHIFT LEVER		1
25	598735001	PARALLEL PIN	5m6x25	1
26	598735101	CIRCLIP	42x1.75	1
27	598734501	O-RING		1
28	599540701	NUT	NUT	1

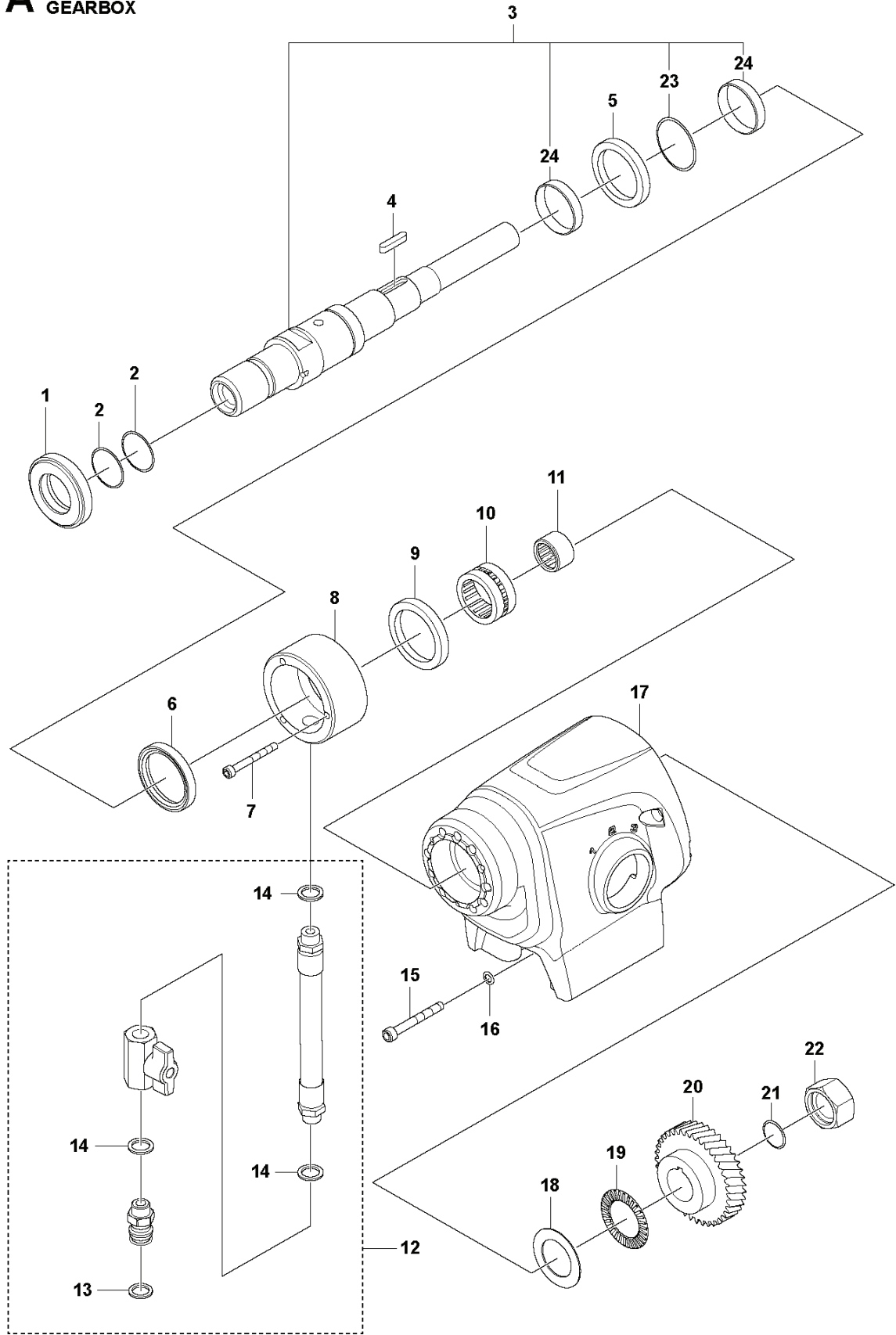


DM 200, DM 220, DM 230, DM 280, DM 400, DM 430, DM 650, DM 700, DM 406, DM 540i  
ACCESSORIES



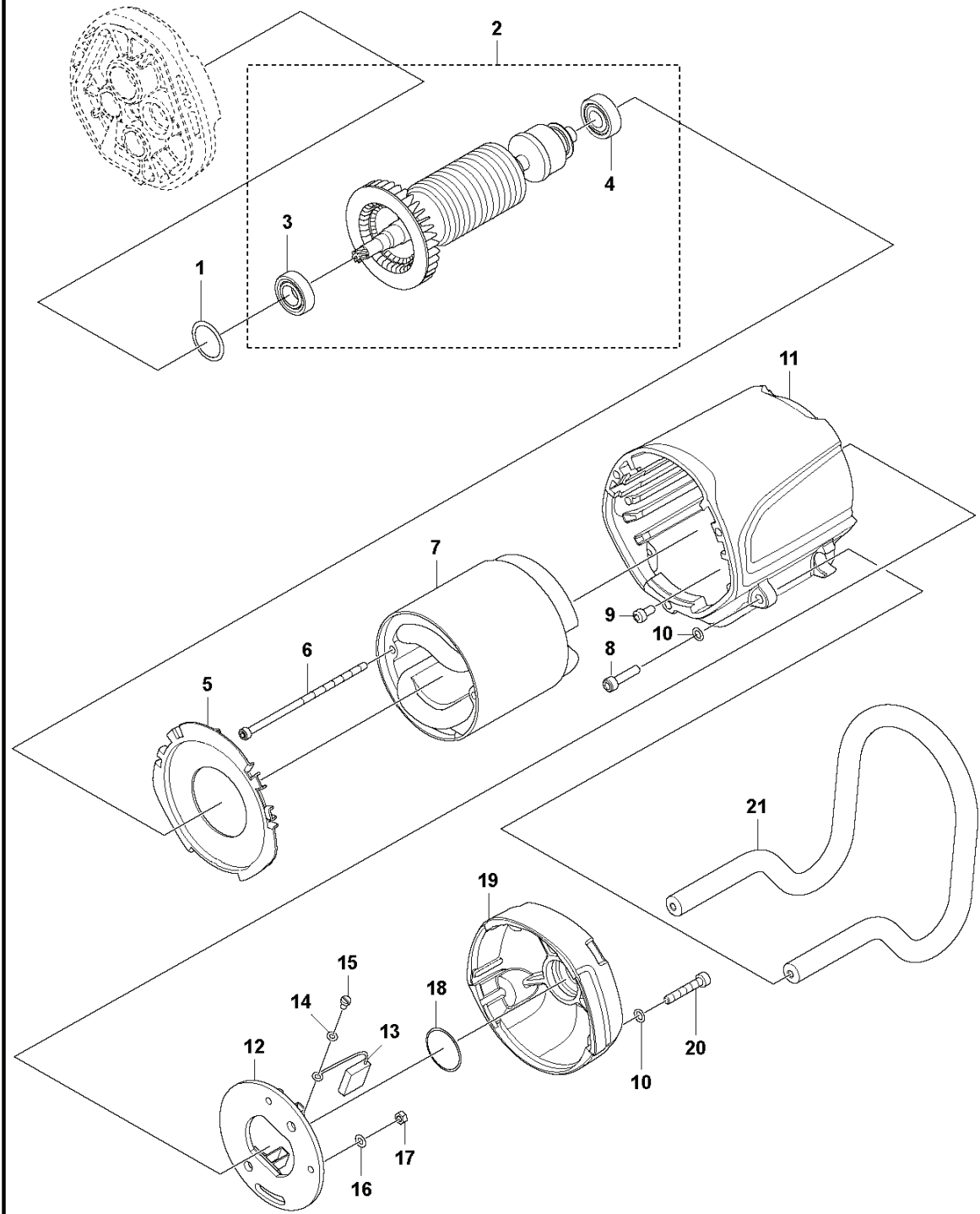
PXM_REF	PXM_PARTNO	DESCRIPTION	PXM_REMARK	QTY.
1	593563001	SLURRY RINGS	WSR 100 mm	1
1	593563002	SLURRY RINGS	WSR 150 mm	1
1	593563003	SLURRY RINGS	WSR 200 mm	1
1	593563004	SLURRY RINGS	WSR 250 mm	1
1	593563005	SLURRY RINGS	WSR 300 mm	1
1	593563006	SLURRY RINGS	WSR 350 mm	1
2	593563401	SEALING DISCS	DS 100 mm	1
2	593563402	SEALING DISCS	DS 150 mm	1
2	593563403	SEALING DISCS	DS 200 mm	1
2	593563404	SEALING DISCS	DS 250 mm	1
2	593563405	SEALING DISCS	DS 300 mm	1
2	593563406	SEALING DISCS	DS 350 mm	1
3	593963901	RUBBER SEAL SET	WSR 100	1
3	593963902	RUBBER SEAL SET	WSR 150	1
3	593963903	RUBBER SEAL SET	WSR 200	1
3	593963904	RUBBER SEAL SET	WSR 250	1
3	593963905	RUBBER SEAL SET	WSR 300	1
3	593963906	RUBBER SEAL SET	WSR 350	1
4	531280329	SLURRY COLLECTOR	U-shap 212 mm	1
5	531280000	SLURRY COLLECTOR	65 mm	1
5	531280001	SLURRY COLLECTOR	110 mm	1
5	531280295	SLURRY COLLECTOR	130 mm	1
5	531280002	SLURRY COLLECTOR	160 mm	1
5	531280296	SLURRY COLLECTOR	180 mm	1
5	531280003	SLURRY COLLECTOR	210 mm	1
5	531074682	SLURRY COLLECTOR	220 mm	1
5	531280004	SLURRY COLLECTOR	260 mm	1
5	531280005	SLURRY COLLECTOR	310 mm	1
5	531280006	SLURRY COLLECTOR	360 mm	1
5	531280322	SLURRY COLLECTOR	410 mm	1
5	531074678	SLURRY COLLECTOR	430 mm	1
6	531074622	SLURRY COLLECTOR	V-shape 350 mm	1
6	531280007	SLURRY COLLECTOR	V-shape 700 mm	1
7	531077100	COLLECTOR		1
8	531280008	RUBBER GAITERS		1
9	531074688	TOOL	1/2'	1
9	531074674	TOOL	1 1/4"	1
9	531072003	TOOL	CR1 28	1
10	531140951	KEY	24 mm	1
10	531119518	KEY	27 mm	1
10	531140952	KEY	32 mm	1
10	531119033	KEY	41 mm	1
11	544970005	SPANNER	24/30 mm	1

**A** DM 400 / DM 430  
GEARBOX



PXM_REF	PXM_PARTNO	DESCRIPTION	PXM_REMARK	QTY.
1	598762801	WASHER	QUICK RELEASE	1
2	598732701	O-RING		2
3	598731301	SPINDLE SHAFT	1 1/4" UNC	1
3	598731302	SPINDLE SHAFT	CR1 28	1
3	598731303	SPINDLE SHAFT	32/28.9 Japan	1
4	598732601	PARALLEL KEY		1
5	598732301	RADIAL SEAL		1
6	598732101	RADIAL SEAL		1
7	598762701	SCREW		3
8	598731201	BUSHING		1
9	598732201	RADIAL SEAL		1
10	598731501	BEARING		1
11	598731401	NEEDLE BEARING		1
12	598732801	HOSE ASSY		1
13	598732001	O-RING		1
14	598732501	SEALING RING		3
15	598762601	SCREW	DM400	3
15	531196001	SCREW	DM430	1
16	598761701	WASHER		3
17	598731001	GEAR HOUSING		1
18	598762201	WASHER		1
19	598731601	BEARING		1
20	598738201	GEAR WHEEL		1
21	598731901	O-RING		1
22	598762501	NUT		1
23	598855401	O-RING		1
24	598855301	SLEEVE		2

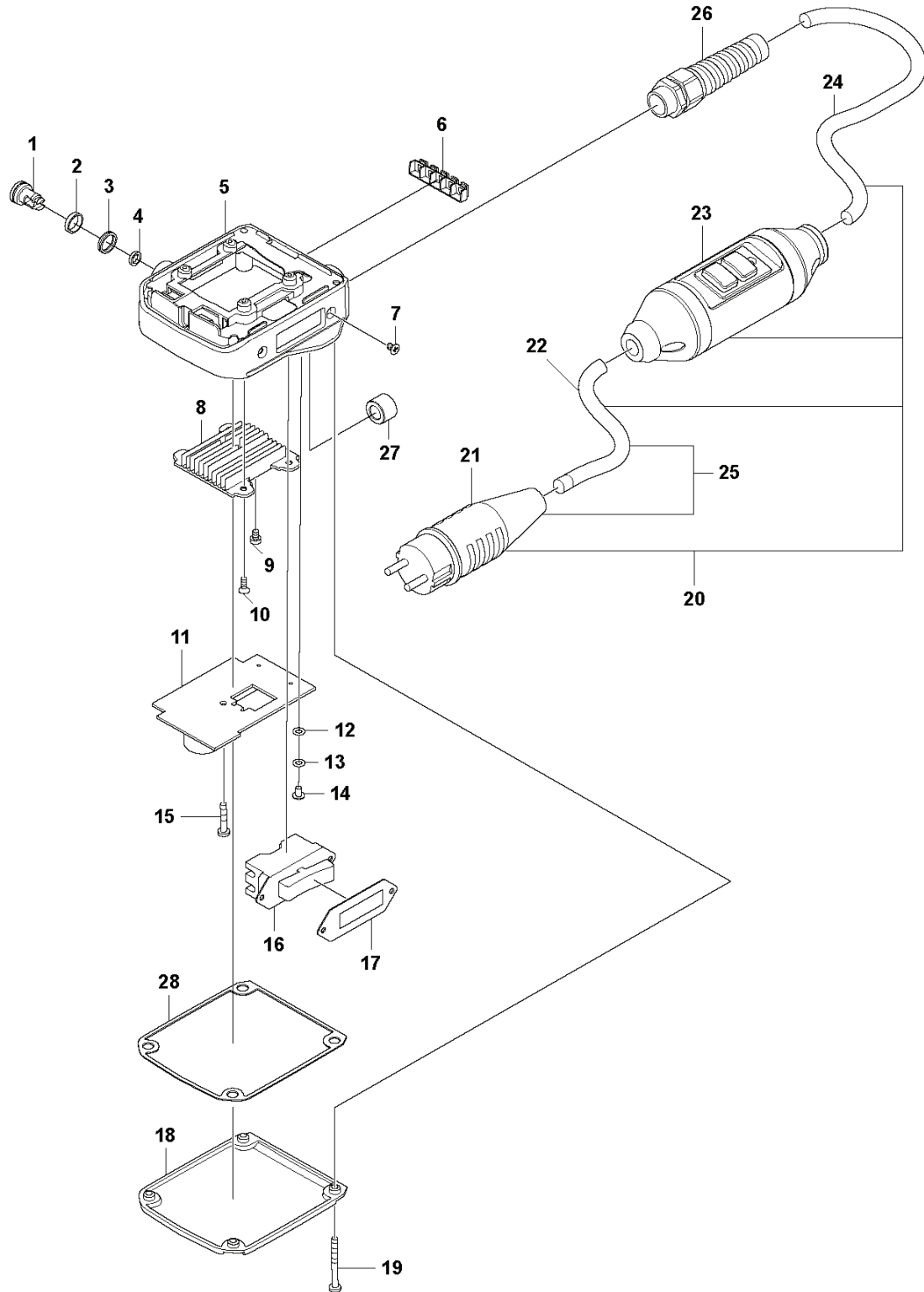
**C** DM 400 / DM 430  
MOTOR



---

PXM_REF	PXM_PARTNO	DESCRIPTION	PXM_REMARK	QTY.
1	598736701	SHIM		1
2	598736902	ROTOR	120V	1
2	598736901	ROTOR	230V	1
3	598736601	BALL BEARING		1
4	598736501	BALL BEARING		1
5	598736301	AIR CONDUCTOR		1
6	598760601	SCREW		2
7	598735904	STATOR ASSY	120V	1
7	598735903	STATOR ASSY	230V	1
8	598808801	SCREW		2
9	598736001	SLEEVE		1
10	598761701	WASHER		5
11	598735701	MOTOR HOUSING		1
12	598736201	HOLDER		1
13	598736402	CARBON BRUSH	120V	1
13	598736401	CARBON BRUSH	230V	1
14	598761901	WASHER		2
15	598760901	SCREW		2
16	598761801	WASHER		2
17	732211401	LOCK NUT		2
18	598736801	O-RING		1
19	598735801	COVER		1
20	598760501	SCREW		3
21	598797701	HANDLE		1

**D** DM 400 / DM 430  
ELECTRICAL



PXM_REF	PXM_PARTNO	DESCRIPTION	PXM_REMARK	QTY.
1	598780201	PUSH BUTTON		1
2	598780101	O-RING		1
3	598780001	SPRING	WAVE	1
4	598779801	MAGNET		1
5	598737501	HOLDER	ELECTRONICS	1
6	598886901	PROTECTIVE CAP		1
7	598761001	SCREW		2
8	598737301	COOLER		1
9	598761601	SCREW		2
10	598761101	SCREW		2
11	598737206	PRINTED CIRCUIT BOARD	120V w BLEM	1
11	598737208	PRINTED CIRCUIT BOARD	120V w/o BLEM	1
11	598737205	PRINTED CIRCUIT BOARD	230V w BLEM	1
11	598737207	PRINTED CIRCUIT BOARD	230V w/o BLEM	1
12	598761901	WASHER		3
13	598809401	WASHER		3
14	598809001	SCREW		3
15	599980801	SCREW		2
16	598737901	SWITCH	POWER	1
17	598737401	SEALING	SWITCH	1
18	598737101	COVER	ELECTRONICS	1
19	598760701	SCREW		4
20	598782401	CABLE ASSY	INCL PRCD and PLUG US, JP	1
21	598738001	PLUG	MAINS CH	1
21	598738002	PLUG	MAINS UK	1
22	598737601	CABLE	3G1.5x1.5m CH	1
23	536244901	CIRCUIT BREAKER	PRCD 230V	1
24	598737701	CABLE	3G1.5x2.3m 230V EU. CH. AU	1
24	598737702	CABLE	3G1.5x2.3m 230V BR	1
24	598737703	CABLE	3G4x3.8m 120V UK	1
25	598738101	CABLE ASSY	INCL PLUG EU	1
25	598738103	CABLE ASSY	INCL PLUG BR	1
25	598738102	CABLE ASSY	INCL PLUG AU	1
26	598737801	CABLE SLEEVE		1
27	599388802	FERRITE CORE	120 V	1
27	599388801	FERRITE CORE	230 V	1
28	599448801	SEALING		1





---

PXM_REF	PXM_PARTNO	DESCRIPTION	PXM_REMARK	QTY.
1	575808202	ATTACHMENT PLATE	ATTACHMENT PLATE	1
2	575808101	WEDGE	WEDGE	1
3	720140106	PARALLEL PIN	PARALLEL PIN	2
4	725545101	SCREW IHSCM	SCREW	8