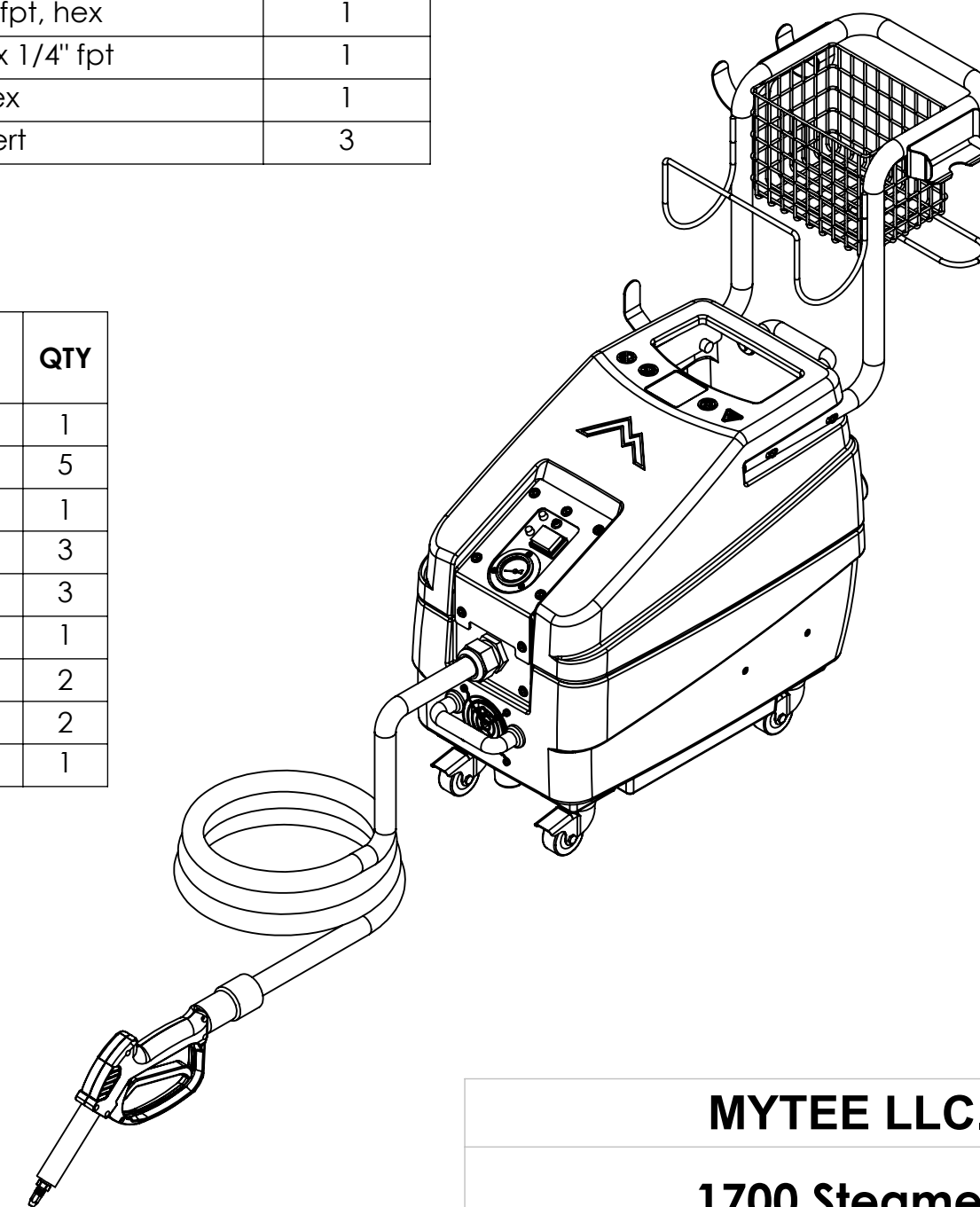


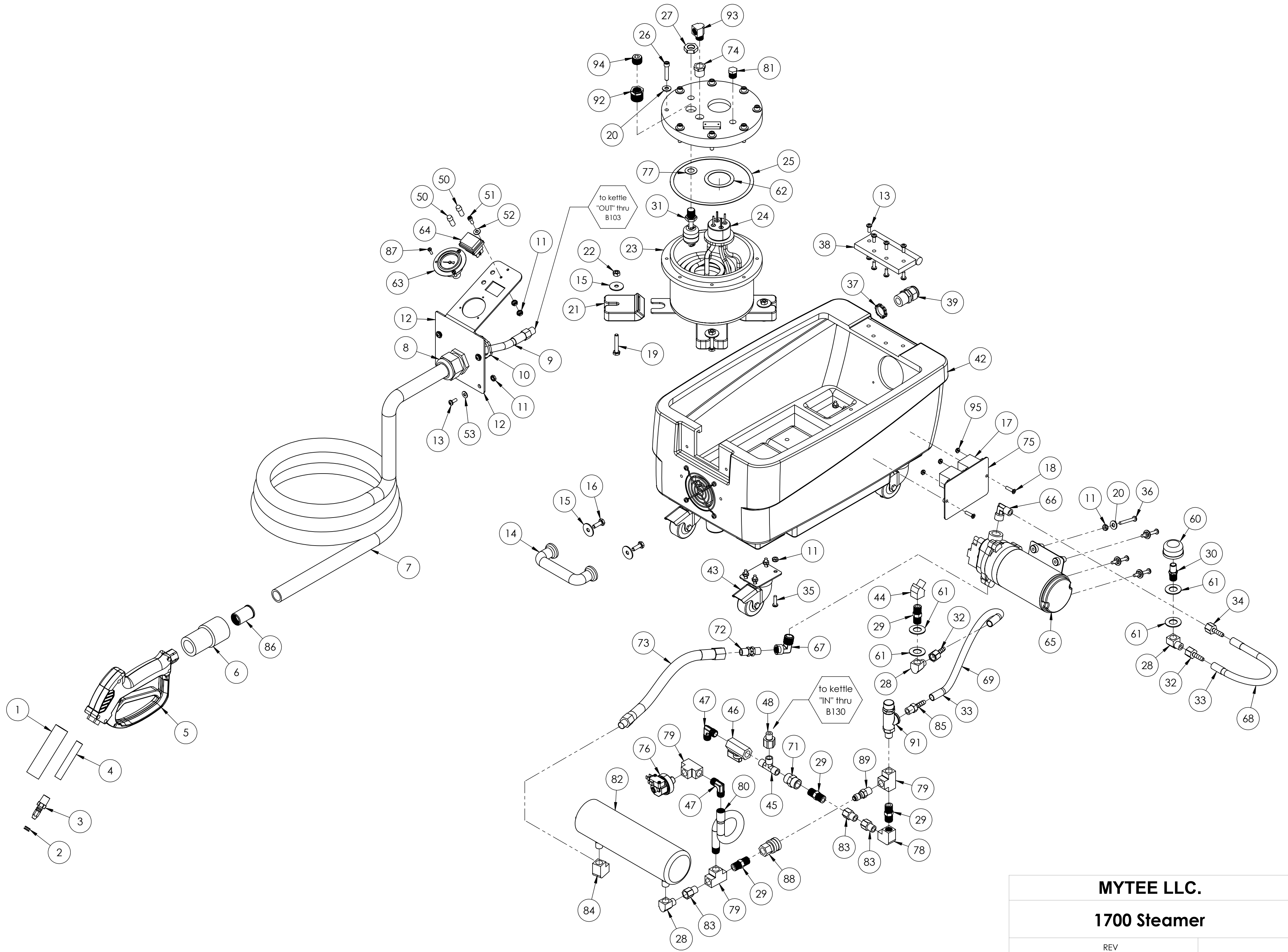
ITEM NO.	PART NO.	DESCRIPTION	QTY.
1	PH719-4	protective sleeve, outer hose	1
2	G643	o-ring, 7/16" od x 5/16" id, 5/64 width	2
3	B220	spray nozzle, steamer	1
4	B303	nipple, 3" long x 1/4" npt x 1/4" npt	1
5	H125	gun, high pressure, steamer	1
6	H959	cuff, black, 1" hose x 1" female slip	1
7	PH719-216	outer hose	1
8	H172	fitting, strain relief, hose, 1"	1
9	AH139	sol hose, 1/4" x 11', 1/4" mpt X 1/4" mpt, 200 psi, heat wrap	1
10	H283	nut, lock, 1" steel, electrical	1
11	H273	nut, kep, #10-32 zinc	24
12	H395	front plate	1
13	H230	screw, 10-32 x 1/2" phil pan, s/s	21
14	H485	handle, aluminum grip, black	2
15	H211	washer, 1/4" id x 1" od, flat, s/s	12
16	H202	bolt, 1/4-20 x 3/4" hex head, s/s	4
17	E632	relay, shut-off switch, mechanical float, 115v	2
18	H186	screw, 10-32 x 3/4, phil, flat, countersunk, s/s, black	2
19	H316	bolt, 1/4-20 x 1-1/2" hex head, s/s	4
20	H210	washer, 1/4" flat, s/s	12
21	G641	feet, kettle, steamer	4
22	H215	nut, hex, 1/4-20 s/s	4
23	H393	kettle, steamer, w/lid, 1600	1
24	H973	kettle heating coil	1
25	G203a	kettle gasket	1
26	H545	socket head screw 1/4"-20 x 1-1/4", 316 s/s	8
27	B156	nut, 1/4" npt	1
28	B103	elbow, 90 deg street, 1/4" mpt x 1/4" fpt	3
29	B107	nipple, hex, 1/4" mpt x 1/4" mpt	4
30	B112	adapter, filter, 1/4" mpt x .453 slip	1
31	E372	level float	1
32	B110	adapter, brass, 1/4" sw barb x 1/4" fpt, w/gasket	2
33	B170	ferrule, 1/4" brass	4
34	B110	adapter, brass, 1/4" sw barb x 1/4" fpt, w/gasket	1
35	H256	screw, 10-32 x 3/4", phil pan, s/s	16
36	H457	screw, 10-32 x 1-1/2", p-pan	4
37	H221	nut, lock, 1/2" steel, electrical	1
38	H487	bracket, hinge	1
39	H220	fitting, strain relief, cord	1
40	H296	guard, cooling fan, wire	1
41	H304	screw, #8 x 5/8 phil oval, s/s	4
42	P742	base, steamer	1
43	H681	caster, 2", black hub, gray tread	4
44	B130	45 deg, street elbow, brass, 1/4" male NPTF	1
45	B135	tee, 1/4" mpt x 1/4" mpt x 1/4" mpt	1
46	B656	valve, ball, 1/4" fpt x 1/4" fpt, s/s	1
47	B136	elbow, brass, 90 deg, 1/4" mpt x 1/4" mpt	2
48	B646	adapter, 1/4" mpt x 1/8" fpt	1
49	H394	switch plate	1
50	E511B	light, red, 115v	2
51	H389	screw, 10-32 x 1/2" SHCS, alloy	1
52	H289	washer, 10 flat, s/s	1
53	H289B	flat washer	9
54	G052	washer, buna 1-1/8" od x 3/16" id	2
55	H688B	handle with basket	1
56	H222	screw, 10-32 x 1-1/4" phil pan head, s/s	4
57	H423	plug, 7/8", black, heyco	2
58	H846B	cap, gallon jug, 1-5/8"	1
59	P743	solution tank, steamer	1
60	B119	filter, strainer, 1/4"	1
61	H212	flat washer, 9/16" ID x 1 1/16" OD, AN960-C916	4

ITEM NO.	PART NO.	DESCRIPTION	QTY.
62	G204a	coil gasket	1
63	H399	pressure gauge	1
64	E536	switch, rocker, 2 position	1
65	C305	pump, 120 psi, 115V	1
66	B652	elbow, 90 deg, 3/8" mpt x 1/4" mpt	1
67	B212	bushing, 3/8" mpt x 1/4" fpt	1
68	PH634-12	sol hose 1/4" x 12"	1
69	PH634-16	sol hose 1/4" x 16"	1
70	H802	drill gun holster	1
71	B142	coupling, 1/4" fpt x 1/4" fpt	1
72	B116	valve, check, 1/4" MPT x 1/4" MPT	1
73	AH184-7	sol hose 1/4 msw x 1/4" fpt x 7"	1
74	B105	bushing, brass, 3/8" mpt x 1/4"	1
75	H632	plate, mounting, relay switch, dual circuit indicator	1
76	E403	pressure switch	1
77	G182a	float gasket	1
78	B207	elbow, brass, 90 deg, 1/4" fpt x 1/4" fpt	1
79	B113	tee, 1/4" fpt x 1/4" fpt x 1/4" fpt	3
80	B999	pigtail siphon 1/4" NPT female x 1/4" NPT male	1
81	B127	plug, brass, 1/4" mpt, hex	1
82	A900	heater, 300wt, 115v	1
83	B111	adapter, brass, extender, 1/4" mpt x 1/4" fpt, hex	3
84	B207	elbow, brass, 90 deg, 1/4" fpt x 1/4" fpt	1
85	B109	barb, 1/4" barb x 1/4" mpt	1
86	B700	cuff insert	1
87	H356	screw, 6-32 x 1/2" phil pan head	3
88	B259A	qd, brass, 1/4" fqd x fpt	1
89	B260A	quick disconnect, 1/4" mqd x mpt, open-spray	1
90	H801	upholstery tool holster (8400P)	1
91	B200	valve, brass, relief, 500 psi	1
92	B210	bushing, brass, 1/2" mpt x 3/8" fpt, hex	1
93	B103	elbow, 90 deg street, 1/4" mpt x 1/4" fpt	1
94	B246	plug, brass, 3/8" mpt, hex	1
95	H792	nut, lock, 6-32, nylon insert	3

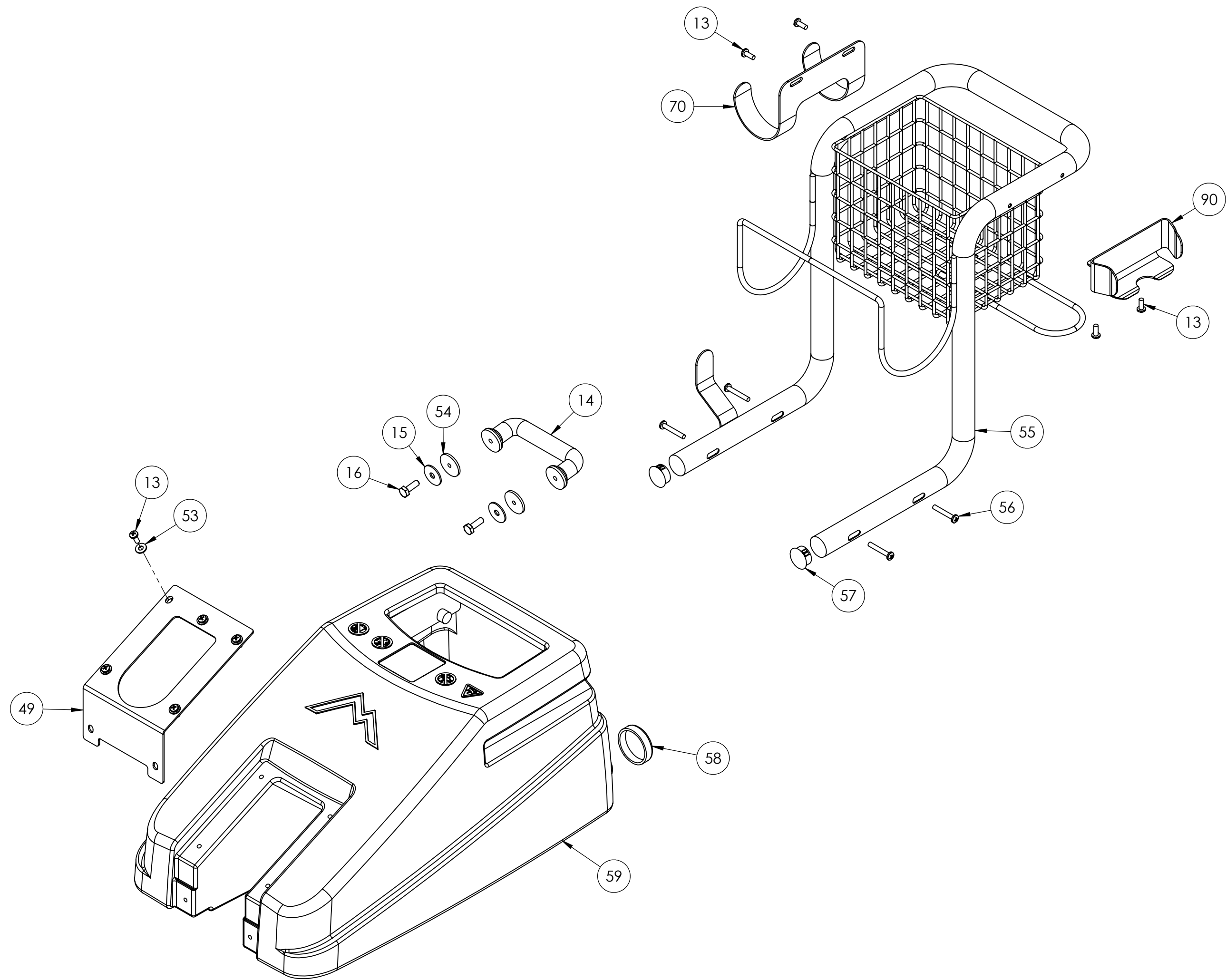
ITEMS NOT SHOWN

PART NO.	DESCRIPTION	QTY
SE343	harness, electrical, 1700	1
G017	insulation, heater wrap	5
VS03	2 in 1 steam attachment	1
VS04	small nylon brush	3
VS05	large nylon brush	3
VS07	jet nozzle attachment	1
VS12	bonnet cover	2
VS15	metal brush	2
VS16	gum scraper tool	1





MYTEE LLC.	
1700 Steamer	
REV PART CREATED	SHEET 2 OF 3



MYTEE LLC.	
1700 Steamer	
REV PART CREATED	SHEET 3 OF 3