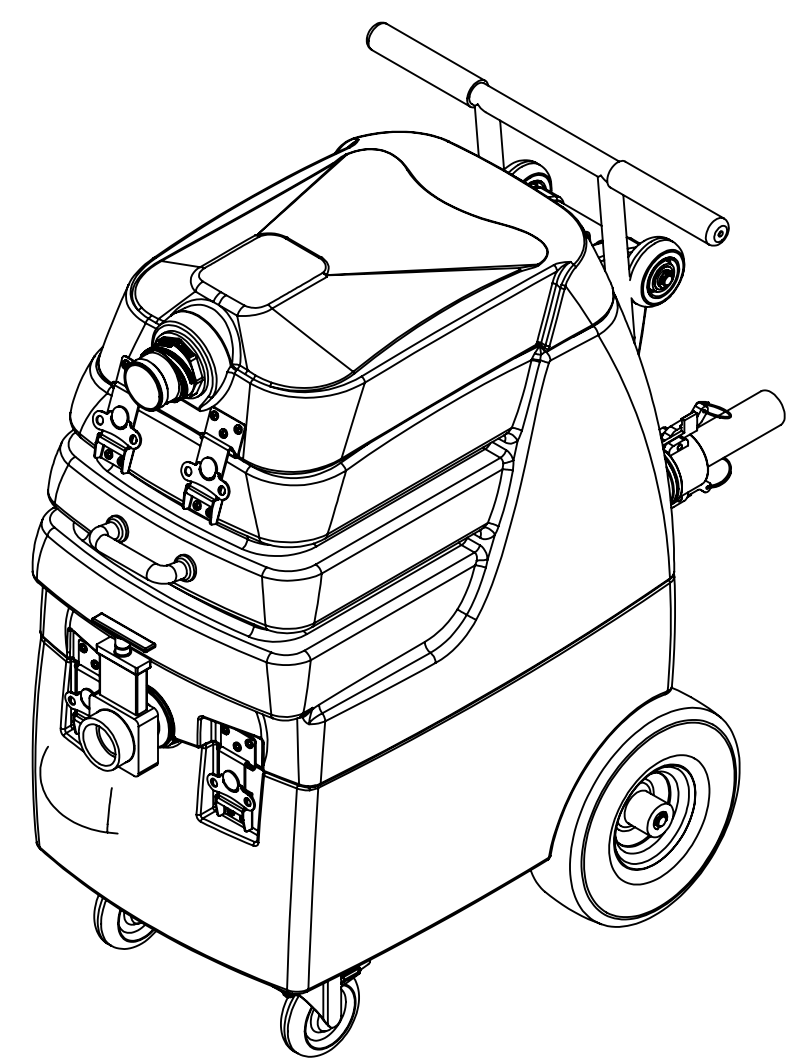


ITEM NO.	PART NO.	DESCRIPTION	QTY.	MSRP
1	H135	Cuff-Lynx, 2" m cuff x 2" mpt	1	\$3.99 ea
2	H230	screw, 10-32 x 1/2" phil pan head, s/s	59	\$0.99 ea
3	H486	latch, front	5	\$13.99 ea
4	P746	lid, 7000SX	1	\$89.99 ea
5	G092	gasket, lid, 7000SX	1	\$39.99 ea
6	H253	plate, dual manifold, 9" x 13"	1	\$14.99 ea
7	H302	cuff, hose, 2" x 2.5", swivel, grey	1	\$12.99 ea
8	PH627-15	vac hose, 1-1/2", black, wire reinforced	1	\$4.99 ft
9	P735	manifold, single vac, no gasket	2	\$14.99 ea
10	G004	gasket, vacuum motor	2	\$8.99 ea
11	H202	bolt, 1/4-20 x 3/4" hex head, s/s	6	\$0.99 ea
12	H501	vac support, 3 stage, 4-1/16"	6	\$4.99 ea
13	H770	bolt, 1/4-20 x 1/2" serrated hex flange, zinc	6	\$0.99 ea
14	C302A	vac motor, 3-stage hp, 120V, 145"	2	\$148.99 ea
15	G059	exhaust boot, plastisol	1	\$4.99 ea
16	PH628-10	vac hose, 2", black, wire reinforced	1	\$8.99 ea
17	H217	clamp, hose, 2-1/4 dia	5	\$1.49 ea
18	H225	valve, drain, 1-1/2"	1	\$20.99 ea
19	H485	handle, aluminim grip, black	1	\$6.99 ea
20	G052	washer, buna 1-1/8" od x 3/16" id	6	\$1.99 ea
21	H211	washer, 1/4" id x 1" od, flat, s/s	2	\$0.99 ea
22	H768	bolt, 1/4-20 x 3/4" serrated hex flange, zinc	2	\$0.99 ea
23	P745	vac tank, 7000SX	1	\$149.99 ea
24	H023	filter basket, flood hog	1	\$64.99 ea
25	C388	pump out, 66 gpm, stainless, 115v	1	\$695.99 ea
26	H256	screw, 10-32 x 3/4" phil pan head, zinc	1	\$0.99 ea
27	H059	bracket, ETM, pump-out	2	\$9.99 ea
28	H273	nut, kep, #10-32 zinc	17	\$0.99 ea
29	H216	nut, lock, 1/4-20, nylon insert, s/s	13	\$0.99 ea
30	H342	bolt, 1/4-20 x 1" hex head, s/s	9	\$0.99 ea
31	P686	swing check valve, pump out	1	\$24.49 ea
32	PH627-15	vac hose, 1-1/2", black, wire reinforced	1	\$4.99 ft
33	H396	barb, 1-1/2" x 1-1/2" fpt, pump out	1	\$19.99 ea
34	H207	cam & grovve fitting 1-1/2", male	1	\$21.99 ea
35	H205	cam & groove fitting 1-1/2", female	1	\$32.99 ea
36	AH121	hose, layflat, 50', pump-out	1	\$49.99 ea
37	PH633-1	pipe, pvc, 1-1/2"	1	\$4.99 ft
38	G003	filter, foam, 2" x .50" o.d.	1	\$1.99 ea
39	G097	screen, mesh filter, 1-1/2" dia	1	\$4.99 ea
40	P502	adapter, 1.5" pvc, fslip x fslip	1	\$5.00 ea
41	PH633-12	pipe, pvc, 1-1/2"	1	\$4.99/ft
42	H244	adapter, pvc, 1-1/2" fms x fmpt	1	\$4.99 ea
43	H229	inlet, pvc, 1-1/2", gray	1	\$5.99 ea
44	P609	handle, 7000SX	1	\$5.99 ea
45	H089	axle, 9.63" x .50" dia	1	\$10.99 ea
46	H358B	wheel, 3"	2	\$10.99 ea
47	H042	c-clip, 12mm, external	4	\$0.99 ea
48	E373	level switch, vacuum shut-off, rear threads	2	\$24.99 ea
49	B103	elbow, brass, 90 deg, 1/4"mpt x 1/4" fpt	3	\$4.49 ea
50	B142A	coupling, brass, 1/4" fpt x 1/4" fpt	1	\$4.49 ea
51	B303	nipple, 3" x 1/4" npt x 1/4" npt	2	\$8.99 ea
52	B113	tee, brass, 1/4" fpt	1	\$6.99 ea
53	B199	coupler, 1/2" fpt x 1/4" fpt	1	\$8.99 ea
54	H384	washer, 3/8 flat, s/s	3	\$0.99 ea
55	B210	bushing, brass, 1/2"mpt x 3/8" fpt, hex	2	\$2.49 ea
56	B216	nipple, brass, 3/8" x close	1	\$1.99 ea
57	H210	washer, 1/4" flat, s/s	20	\$0.99 ea
58	H169	bolt, 1/4-20 x 2", hex head	4	\$3.99 ea
59	G040	grip, handle, floor machine	2	\$1.99 ea
60	H548	handle, 1" bar, s/s	1	\$45.99 ea
61	H641	plate, switch, RL1200, 7000DX	1	\$6.99 ea
62	E512B	light, indicator, 125v (amber)	1	\$9.99 ea

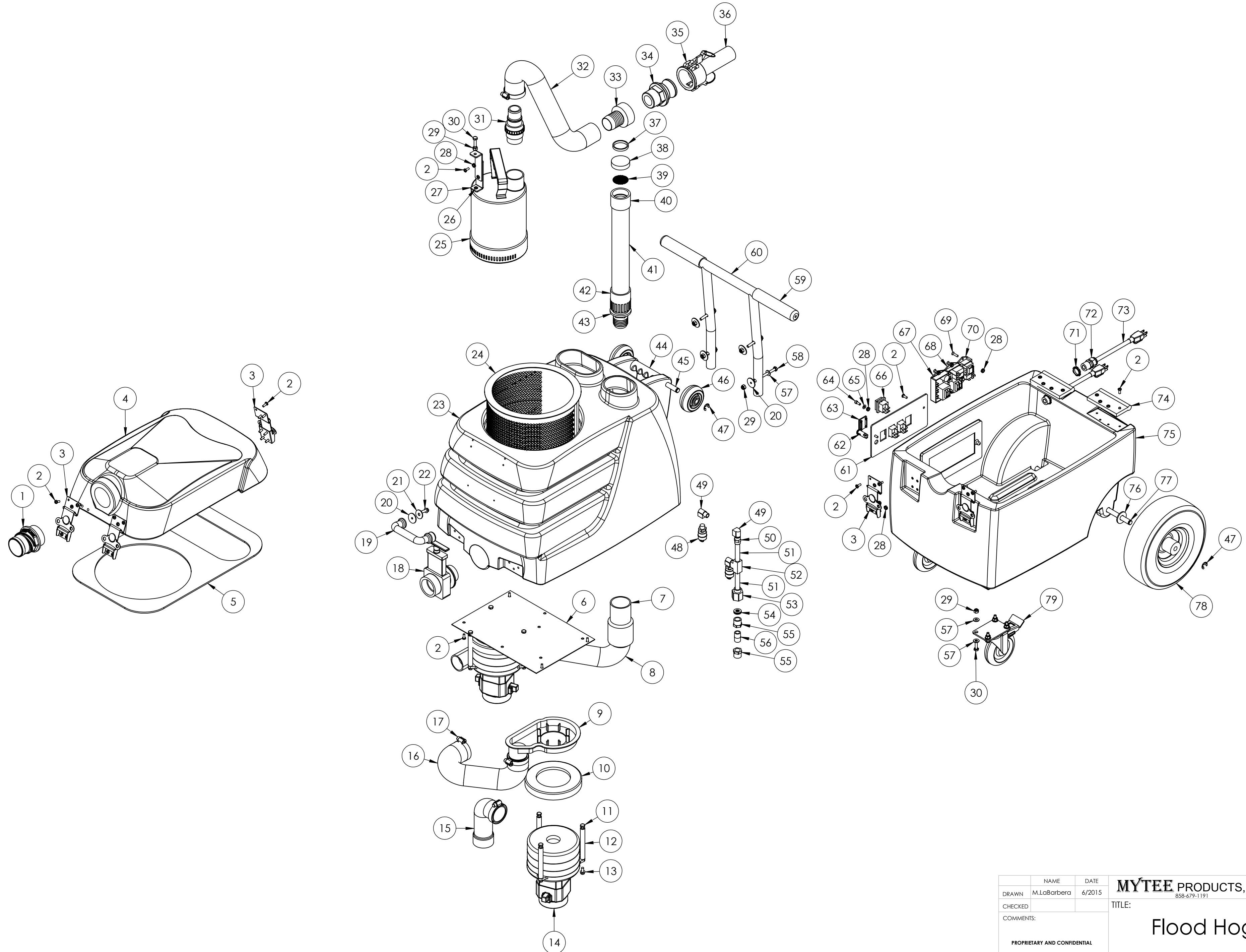
ITEM NO.	PART NO.	DESCRIPTION	QTY.	MSRP
63	P967A	plug, switch	1	\$1.99 ea
64	H389	screw, 10-32 x 1/2" SHCS, alloy	1	\$0.99 ea
65	H612	washer, 8 flat, s/s	1	\$0.99 ea
66	E515	switch, rocker, 2 position	3	\$13.99 ea
67	E564	controller, circuit light	1	\$62.99 ea
68	E370	controller, water level, single, 115v	1	\$114.99 ea
69	H186	screw, 10-32 x 3/4, phil flat full thread	6	\$0.99 ea
70	E628	controller, water level, single, 115V	1	\$114.99 ea
71	H221	nut, lock, 1/2" steel	2	\$1.99 ea
72	H220	fitting, strain relief, cord	2	\$3.19 ea
73	E550	power cord, pigtail, 30", 12/3, black	2	\$11.49 ea
74	H487	bracket, hinge	2	\$4.49 ea
75	P696	base, 7000SX	1	\$114.99 ea
76	H254	washer, axle, cut 1/2" id	2	\$0.99 ea
77	H371	axle, 18.03" x .50" dia	1	\$9.99 ea
78	H109	wheel, 10", foam filled	2	\$79.99 ea
79	H668	caster, 4", black hub & gray tread	2	\$19.49 ea

ITEMS NOT SHOWN

PART NO.	DESCRIPTION	QTY.	MSRP
H141	Cuff-Lynx, 2" x 1.5" reducer	1	\$3.99 ea
G109	gasket, strip, vac lid, 7000S	1	\$10.99 ea
E530	power cord, ext 50', 12/3	2	\$74.99 ea
P568A	cord lock, s-type	2	\$8.99 ea
H226	spout, drain, 45 degree	1	\$3.99 ea
H294	hose, vac 1-1/2" x 25' sw cuff	1	\$74.99 ea



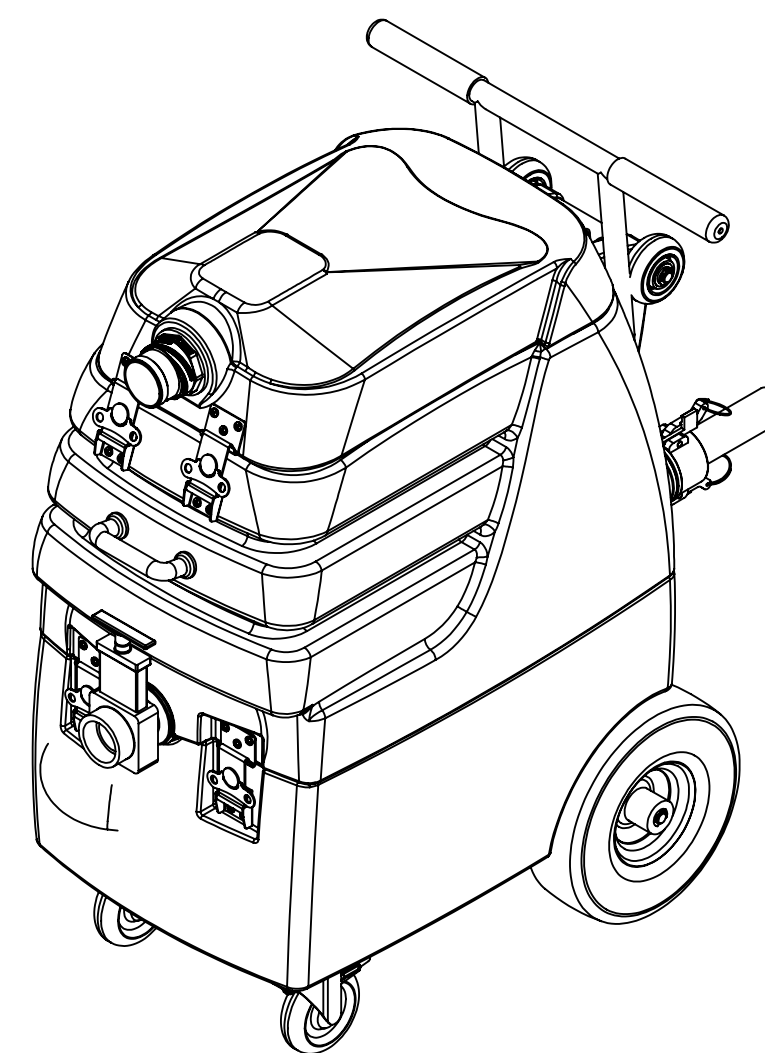
NAME	DATE	MYTEE PRODUCTS, INC. 858-679-1191
DRAWN M.LaBarbera	6/2015	
CHECKED		TITLE:
COMMENTS:		Flood Hog
<small>PROPRIETARY AND CONFIDENTIAL</small> <small>THE INFORMATION CONTAINED IN THIS DRAWING IS THE SOLE PROPERTY OF MYTEE PRODUCTS, INC. ANY REPRODUCTION IN PART OR AS A WHOLE WITHOUT THE WRITTEN PERMISSION OF MYTEE PRODUCTS, INC. IS PROHIBITED.</small>		
SIZE	DWG. NO.	REV
C	7000SX	OD
SCALE: 1:32	DO NOT SCALE DRAWING	SHEET 1 OF 3



	NAME	DATE	MYTEE PRODUCTS, INC. 858-679-1191	
DRAWN	M.LaBarbera	6/2015	TITLE:	
CHECKED			Flood Hog	
COMMENTS:				
<small>PROPRIETARY AND CONFIDENTIAL</small> <small>THE INFORMATION CONTAINED IN THIS DRAWING IS THE SOLE PROPERTY OF MYTEE PRODUCTS, INC. ANY REPRODUCTION IN PART OR AS A WHOLE WITHOUT THE WRITTEN PERMISSION OF MYTEE PRODUCTS, INC. IS PROHIBITED.</small>			SIZE DWG. NO. C 7000SX	REV OD
			SCALE: 1:32	DO NOT SCALE DRAWING
			SHEET 2 OF 3	

REVISIONS

REV.	DESCRIPTION	DATE	APPROVED
OD	ORIGINAL DRAFT	6/12/2015	JFL



	NAME	DATE	MYTEE PRODUCTS, INC. <small>858-679-1191</small>		
DRAWN	M.LaBarbera	6/2015	TITLE:		
CHECKED			Flood Hog		
COMMENTS:					
PROPRIETARY AND CONFIDENTIAL			SIZE	DWG. NO.	REV
THE INFORMATION CONTAINED IN THIS DRAWING IS THE SOLE PROPERTY OF MYTEE PRODUCTS, INC. ANY REPRODUCTION IN PART OR AS A WHOLE WITHOUT THE WRITTEN PERMISSION OF MYTEE PRODUCTS, INC. IS PROHIBITED.			C	7000SX	OD
			SCALE: 1:32	DO NOT SCALE DRAWING	SHEET 3 OF 3