

8

7

6

5

4

3

2

1

F

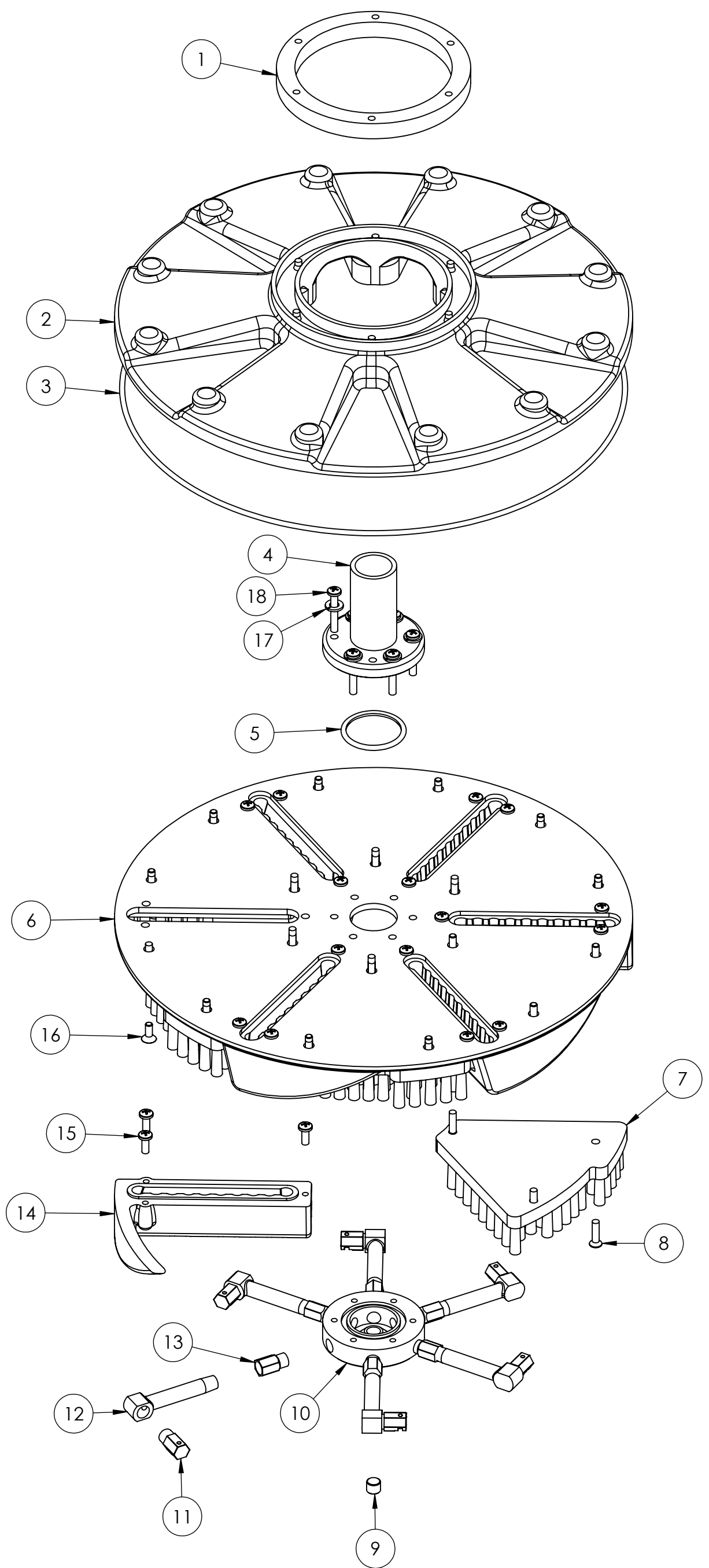
E

D

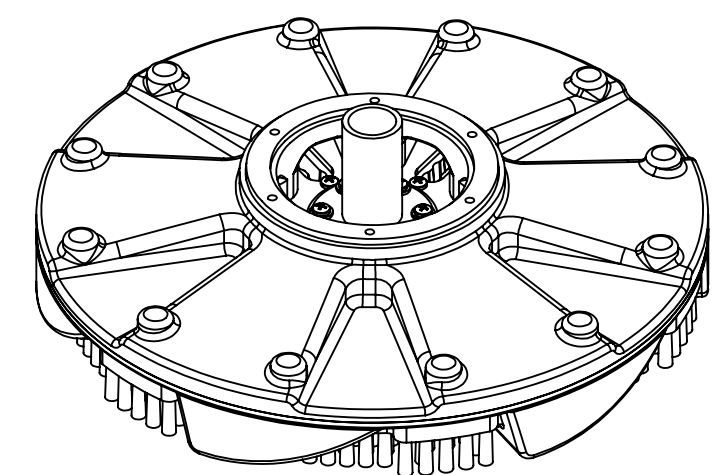
C

B

A



ITEM NO.	PART NO.	DESCRIPTION	QTY.
1	G014	seal, felt, T-REX	1
2	P518	manifold, upper, vac, T-REX	1
3	G037	o-ring, 13.5" id x 1/8" w	1
4	B161	manifold, upper, solution, T-REX	1
5	G027	o-ring, 1.75" o.d. x 1/8" width	2
6	H090	manifold, lower, vac, T-REX	1
7	G099	brush, tile, TRex	6
8	H186	screw, 10-32 x 3/4, phil, flat, countersunk, s/s, black	18
9	B176	plug, 1/8" npt, countersunk hex	1
10	B157	manifold, lower, solution, T-REX	1
11	B639	jet, 1/8" mpt, 0.1-0.2, w/set screw, s/s	6
12	H036A	spray bar, 2.375", T-Rex	6
13	B217	check valve, 1/8" mpt x 1/8" fpt, 5 PSI	6
14	H248	vac glide, T-REX	6
15	H230	screw, 10-32 x 1/2" phil pan head, s/s	18
16	H018	screw, 10-32 x 1/2", FHSCS, s/s	18
17	H213	washer, 1/4" lock, s/s	6
18	H222	screw, 10-32 x 1-1/4" phil pan head, s/s	6



	NAME	DATE	MYTEE PRODUCTS, INC. 858-679-1191	
DRAWN	M.LaBarbera	1/2013	TITLE: assembly, cleaning head, TRex	
CHECKED			SIZE	DWG. NO.
COMMENTS:			C	A102
PROPRIETARY AND CONFIDENTIAL THE INFORMATION CONTAINED IN THIS DRAWING IS THE SOLE PROPERTY OF MYTEE PRODUCTS, INC. ANY REPRODUCTION IN PART OR AS A WHOLE WITHOUT THE WRITTEN PERMISSION OF MYTEE PRODUCTS, INC. IS PROHIBITED.			SCALE: 1:8	DO NOT SCALE DRAWING
			SHEET 1 OF 1	REV B

8

7

6

5

4

3

2

1