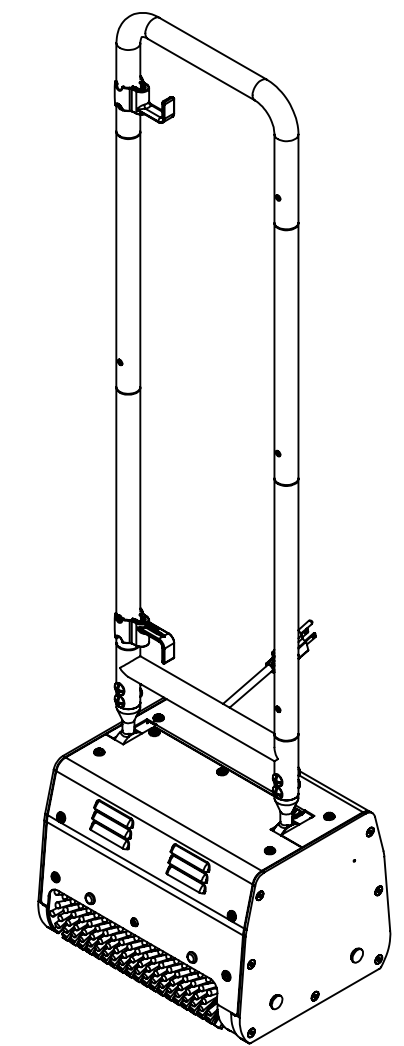


ITEM NO.	PART NO.	DESCRIPTION	QTY.
1	H146	nut, lock, 8-32, nylon insert	2
2	H246	screw, 8-32 x 3/8" SHCS, alloy, Black	2
3	H954	trough clip, CRB	4
4	H969	cover, front, 10", CRB3000	1
5	P536	hex bushing, bearing, CRB	2
6	H939	side plate, right, CRB	1
7	P549	cover, side, CRB	2
8	H947	support, crossbar, CRB3010	3
9	H568	screw, 6-32 x 1", phil pan head, s/s	1
10	H356	screw, 6-32 x 1/2" phil pan head, s/s	1
11	E414	switch, snap acting, CRB	1
12	H792	nut, lock, 6-32, nylon insert	1
13	E583	circuit breaker, 10Amp	1
14	H256	screw, 10-32 x 3/4" phil pan head, zinc	1
15	E397	rectifier, 400V, 15A	1
16	H960	screw, binding barrel, 1/4-20 x 1", s/s CRB	4
17	H951	adapter, handle, pivot, CRB	1
18	H956	handle base, CRB3000	1
19	P603	cord hook, CRB	2
20	H952	handle, upper, 5 set tubes, CRB	1
21	H949	adapter, handle, pivot release, CRB	1
22	H221	nut, lock, 1/2" steel, electrical	1
23	H220	fitting, strain relief, cord	1
24	E534	power cord, male end, blue lit, 42', 16/3, sjtw solid jacket	1
25	H647	screw, 8-32 x 3/8" phil pan head	31
26	H612	washer, 8 flat, black ox	15
27	H945	top cover, rear, CRB3010	1
28	H273	nut, kep, #10-32 zinc	4
29	C346	motor, geared, 6.7:1 ratio, 90vdc, CRB	2
30	H683A	motor mount, CRB 3010	2
31	H047	screw, 1/4-20 x 3/4", button, s/s, blk oxide	10
32	H970A	pulley, HDT, 20T, CRB	2
33	H043	screw, 5/16-24 x 3/4", s/s, blk oxide, flt hd	2
34	H210	washer, 1/4" flat, s/s	6
35	H213	washer, 1/4" lock, s/s	6
36	H202	bolt, 1/4-20 x 3/4" hex head, s/s	6
37	H332	c-clip, 3/8", external	3
38	H948	lockout, handle release, CRB	1
39	P551	bushing, flange, CRB	3
40	H289	washer, 10 flat, s/s	11
41	H230	screw, 10-32 x 1/2" phil pan head, s/s	12
42	H941	side plate, left, CRB	1
43	H937	shaft, brush, 10", CRB3010	2
44	H168	spring, lockout, floor machine	1
45	H512A	tensioner, CRB	1
46	H435	bearing, 6001RS, s/s, CRB	2
47	H042	c-clip, 12mm, external	2
48	H018	screw, 10-32 x 1/2", FHSCS, s/s	14
49	H622	magnet, block, 3" x 3/8" x 3/16", CRB	2
50	H971A	belt, HDT, 76T, CRB	2
51	H938	pulley, HTD, 39T, CRB	2
52	H329	ring, retaining, internal, 5/8"	2
53	H944	bearing housing, outer, CRB	4
54	H962	bearing, ball, 5/8" shaft, sr 10-2rs, CRB	4
55	H946	bearing cover plate, CRB	4
56	H965	brush, white, 10", CRB3010	2
57	H936	chassis, motor, CRB3010	1

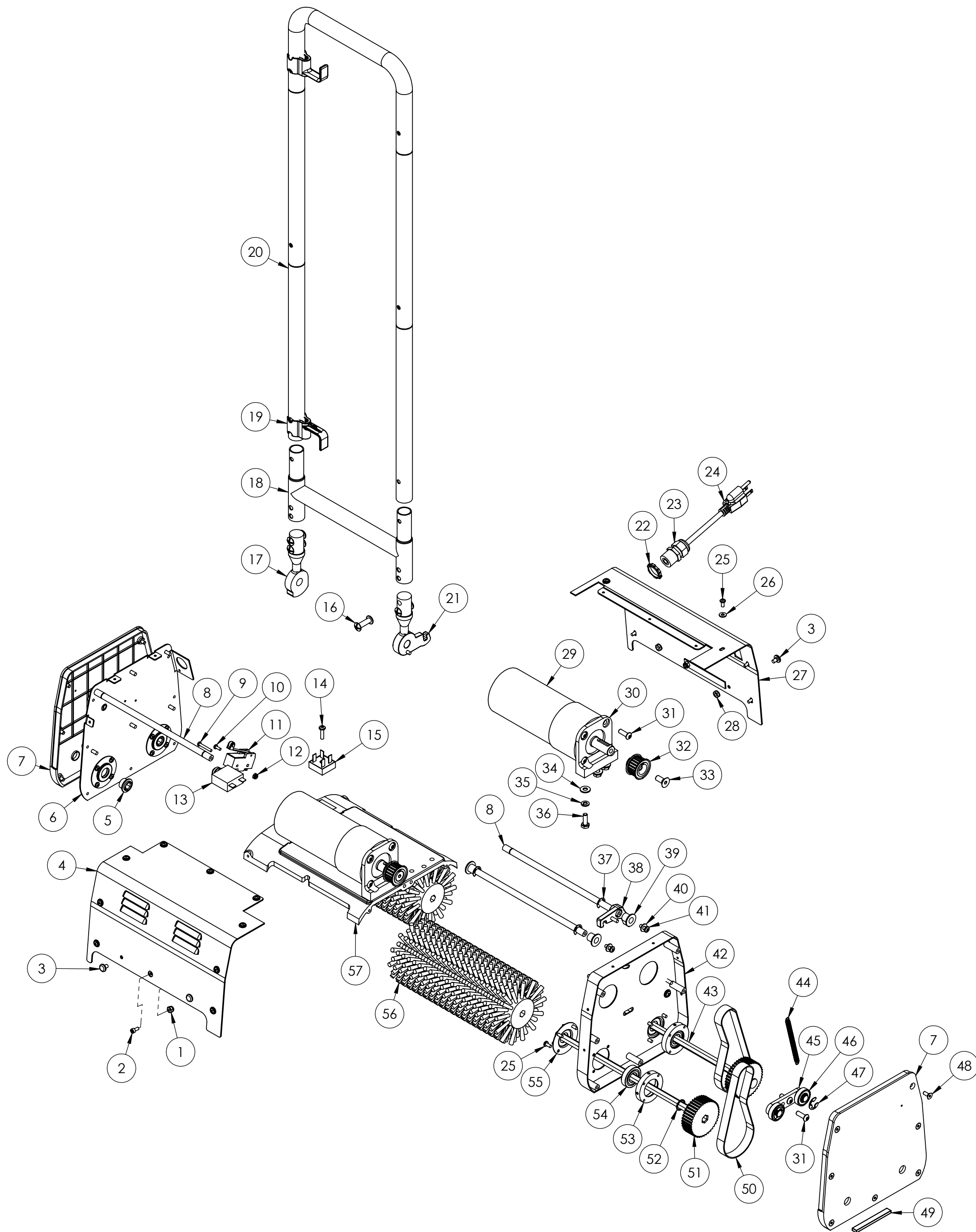
ITEMS NOT SHOWN

PART NO.	DESCRIPTION	QTY.
ADM-QRALL	manual, print, website manual	1
ADP-ACCS	manual, print, accessories	1
E617A	power cord, ext, blue lit, 25', 16/3, sjtw solid jacket	1
H042	c-clip, 12mm, external	2
H358B	wheel, 3"	2
H386	bracket, wheel, CRB3010	1
H507	axle, 7.94" x .50" dia	1
H532	cover, dust, CRB3010	1
H952	handle, upper, 5 piece, CRB	1
H953	dust trough, CRB3010	2
H971A	belt, 76T, CRB	2
P603	cord, hook, CRB	2

REVISIONS			
REV.	DESCRIPTION	DATE	APPROVED
OD	ORIGINAL DRAFT		JFL



NAME	DATE	MYTEE PRODUCTS, INC. <small>858-679-1191</small>
DRAWN M.LaBarbera	6/2017	
CHECKED		TITLE:
COMMENTS:		counter rotating brush, 10"
<small>PROPRIETARY AND CONFIDENTIAL</small> <small>THE INFORMATION CONTAINED IN THIS DRAWING IS THE SOLE PROPERTY OF MYTEE PRODUCTS, INC. ANY REPRODUCTION IN PART OR AS A WHOLE WITHOUT THE WRITTEN PERMISSION OF MYTEE PRODUCTS, INC. IS PROHIBITED.</small>	<small>SCALE: 1:16</small>	<small>DO NOT SCALE DRAWING</small>
	<small>SIZE DWG. NO.</small> C CRB3010	<small>REV</small> OD
	<small>SHEET 1 OF 2</small>	



	NAME	DATE	MYTEE PRODUCTS, INC. 858-679-1191	
DRAWN	M.LaBarbera	6/2017	TITLE: counter rotating brush, 10"	
CHECKED			SIZE	DWG. NO.
COMMENTS:			C	CRB3010
<small> PROPRIETARY AND CONFIDENTIAL THE INFORMATION CONTAINED IN THIS DRAWING IS THE SOLE PROPERTY OF MYTEE PRODUCTS, INC. ANY REPRODUCTION IN PART OR AS A WHOLE WITHOUT THE WRITTEN PERMISSION OF MYTEE PRODUCTS, INC. IS PROHIBITED. </small>			REV	OD
			SCALE: 1:16	DO NOT SCALE DRAWING