

ITEM NO.	PART NO.	DESCRIPTION	QTY.	MSRP
1	H485	handle, breeze and dx	1	\$6.99 ea
2	H211	washer, 1/4" id x 1" od, flat, s/s	4	\$0.99 ea
3	H768	bolt, 1/4-20 x 3/4" serrated hex flange, zinc	11	\$0.99 ea
4	H343	screw, #10 x 5/8" hex head, zinc	11	\$0.99 ea
5	H296	guard, cooling fan, wire	2	\$2.99 ea
6	H230	screw, 10-32 x 1/2 phil pan	34	\$0.99 ea
7	H486	latch, front breeze	2	\$13.99 ea
8	H273	nut, kep, #10-32 zinc	10	\$0.99 ea
9	H641	plate, switch, 4 hole	1	\$6.99 ea
10	H389	screw, #10-32 x 1/2" SHCS, alloy	1	\$0.99 ea
11	E515	switch, rocker, 2 position	3	\$13.99 ea
12	E512B	light, indicator, 125v (amber)	1	\$9.99 ea
13	H601	plate, manifold, parallel	1	\$13.49 ea
14	H216	nut, lock, 1/4-20 nylon insert	11	\$0.99 ea
15	P750	manifold, dual vac, parallel	1	\$15.99 ea
16	H202	bolt, 1/4-20 x 3/4" hex head, s/s	6	\$0.99 ea
17	H501	vac support, 3 stage, 4-1/16"	6	\$4.99 ea
18	G004	gasket, vacuum motor	2	\$8.99 ea
19	C302A	motor, 3-stage, 115 cfm, 14.5 amps	2	\$148.99 ea
20	P686	swing check valve	1	\$24.49 ea
21	H217	clamp, hose, 2-1/4 dia	11	\$1.49 ea
22	G059	exhaust boot, plastisol	2	\$4.99 ea
23	PH628-18	vac hose, 2", black, wire reinforced	1	\$8.99/ft
24	H544	cuff hose, 2 X 2, wire reinforced	1	\$12.49 ea
25	H487	bracket, hinge	2	\$4.49 ea
26	H221	nut, lock, 1/2" steel	2	\$1.99 ea
27	H220	fitting, strain relief, cord	3	\$3.19 ea
28	E531	power cord, end, 25', 12/3 black	2	\$52.99 ea
29	H225	valve, drain, 1-1/2"	1	\$20.99 ea
30	P696	base, breeze	1	\$135.99 ea
31	H371	axle, 18.25" x .50" dia	1	\$9.99 ea
32	H254	washer, axle, cut 1/2" id	4	\$0.99 ea
33	H392	wheel, 10", White Hub & Gray Tread	2	\$35.49 ea
34	H219	cap, axle, 1/2"	2	\$0.99 ea
35	H668	caster, 4", black hub & gray tread	2	\$19.49 ea
36	H342	bolt, 1/4-20 x 1" hex head, s/s	8	\$0.99 ea
37	H210	washer, 1/4" flat, s/s	11	\$0.99 ea
38	H135	Cuff-Lynx, 2" m cuff x 2" mpt	1	\$3.99 ea
39	P561	cap, 6", threaded, w/ 2" npt	1	\$21.99 ea
40	G031	gasket, 3.25" i.d. x 5.88" o.d.	2	\$6.99 ea
41	H359	basket, strainer, 4.5 DIA x 12.5	1	\$36.99 ea
42	P563	filter, body, inline, w/2" npt	1	\$34.99 ea
43	H972	strap, leaf trap, flood hog	1	\$24.99 ea
44	G075	gasket, vacuum, ml ll	1	\$7.99 ea
45	G002	gasket, cam fitting polyethylene, 2.35" OD 1.90" ID	1	\$6.49 ea
46	P684	adaptor, pvc 2, fmsl x fmt	1	\$6.99 ea
47	P682-9	pipe, pvc, 2"	1	\$7.99/ft
48	H297	screw, #8 x 1/2", hex head, zinc	3	\$0.99 ea
49	P726	elbow, 2" float	1	\$11.49 ea
50	H490	float, 2", ball style	1	\$18.49 ea
51	G091	gasket, 7", vac lid	1	\$11.99 ea
52	G090	lid, vac tank, black, 7"	1	\$36.99 ea
53	H304	screw, #8 x 5/8 phil oval, s/s	6	\$0.99 ea
54	H497	10-24 x 3" phil-flat ms s/s	2	\$0.99 ea

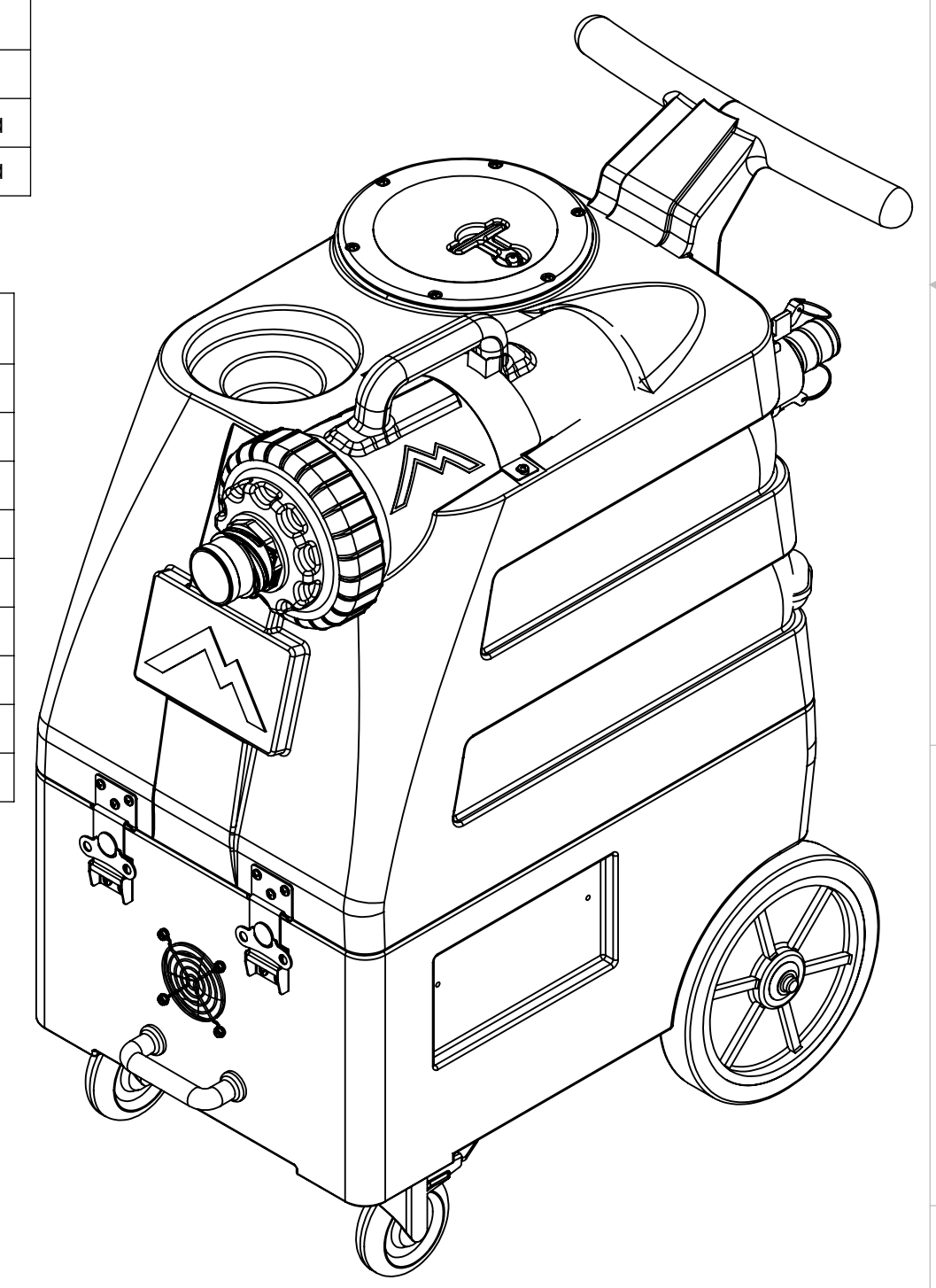
ITEM NO.	PART NO.	DESCRIPTION	QTY.	MSRP
55	G052	washer, buna 1-1/8" od x 3/16" id	2	\$1.99 ea
56	C384	pump out, zoeller, flood extra	1	\$429.99 ea
57	P567	male adapter, 2" pvc, mipt x slip	1	\$4.19 ea
58	P538	reducer, pvc - 2" x 1.5"	1	\$6.69 ea
59	E374	float switch, sump pump	1	\$29.99 ea
60	PH633-03	pipe, pvc, 1-1/2"	3	\$4.99/ft
61	PH628-16	vac hose, 2", wire reinforced, gray	1	\$8.99/ft
62	P674	check valve, swing, pvc 1-1/4"	1	\$5.99 ea
63	PH628-9	vac hose, 2", wire reinforced, gray	1	\$8.99/ft
64	H243	elbow, 90, pvc, 1.5" fmt x fms	1	\$4.99 ea
65	H205	cam & groove fitting 1-1/2", female	1	\$32.99 ea
66	H207	cam & groove fitting 1-1/2", male	1	\$21.99 ea
67	P964	vac tank, portable pump out, flood extractor	1	\$165.99 ea
68	H244	adapter, pvc, 1-1/2" fms x fmpt	1	\$4.99 ea
69	P685	inlet, 2"	1	\$10.99 ea
70	B196	fitting, brass, 3/4" mgh x 1/2" fpt	1	\$5.99 ea
71	G001	gasket, inlet, 1.80" i.d.	1	\$2.99 ea

ITEMS NOT SHOWN

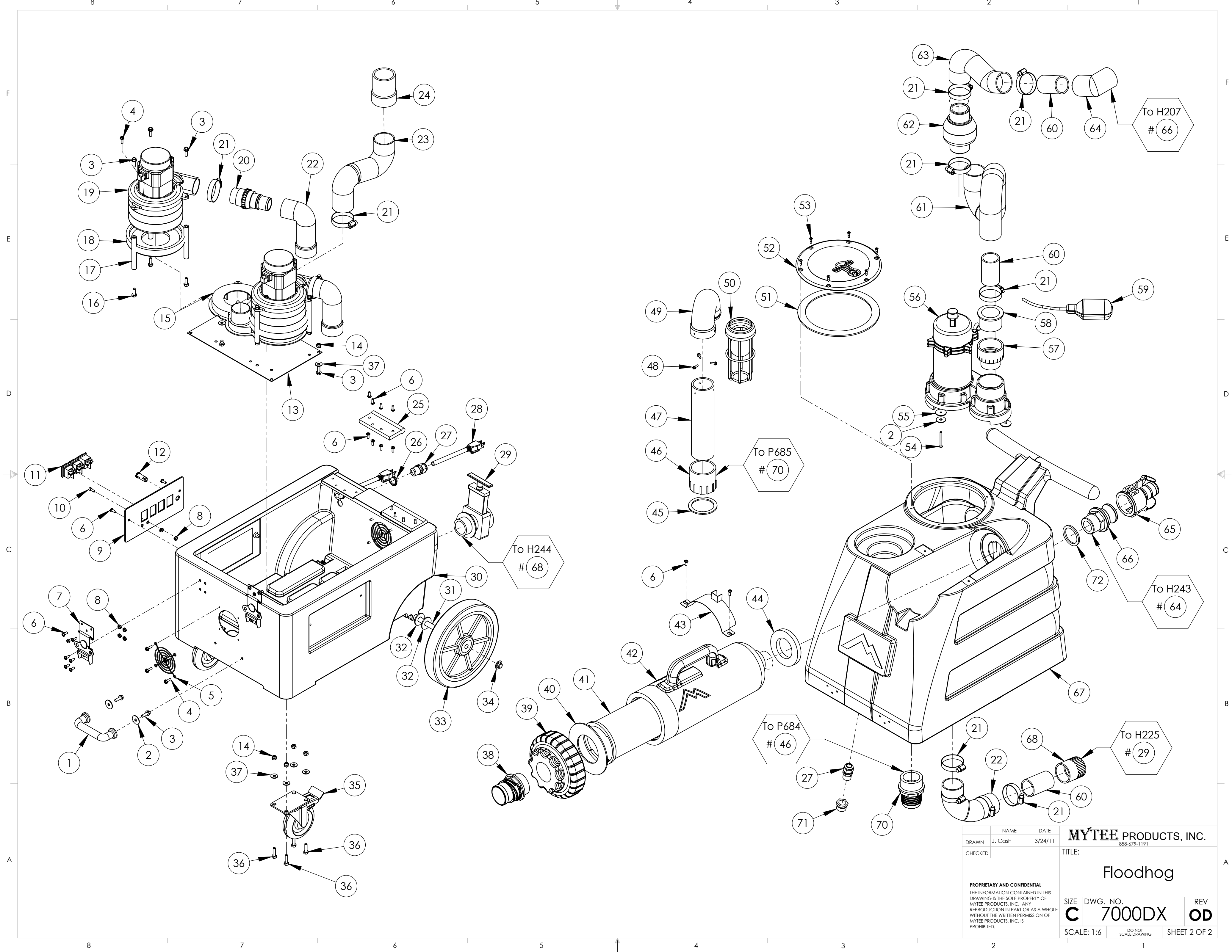
PART NO.	DESCRIPTION	QTY.	MSRP
G085	gasket, strip, 3/4" x 36" X 1/8"	2	\$4.99 ea
H294	vac hose, 1-1/2" x 25' SW	2	\$74.99 ea
E564	controller, circuit light	1	\$62.49 ea

ACCESSORIES

PART NO.	DESCRIPTION	QTY.	MSRP
G147	strap, velcro, w/buckle	2	\$3.49 ea
P570	head, scalloped, grey, wet/dry vacuuming	1	\$20.99 ea
G200	squeegee, head w/blades, black	1	\$29.99 ea
G008	piglet filters - pack of 25	1	\$6.29 ea
H908	wand, two piece, aluminum, flood extraction	1	\$62.99 ea
H294	vac hose, 1-1/2" x 25' SW	2	\$74.99 ea
H141	cuff -lynx, 2" to 1.5" reducer	1	\$3.99 ea
AD127	stop sign, register your product	1	
ADM-7000	manual, floodhog	1	



NAME		DATE		MYTEE PRODUCTS, INC. 858-679-1191	
DRAWN J. Cash		3/24/11			
CHECKED				TITLE:	
				Floodhog	
<small>PROPRIETARY AND CONFIDENTIAL</small> <small>THE INFORMATION CONTAINED IN THIS DRAWING IS THE SOLE PROPERTY OF MYTEE PRODUCTS, INC. ANY REPRODUCTION IN PART OR AS A WHOLE WITHOUT THE WRITTEN PERMISSION OF MYTEE PRODUCTS, INC. IS PROHIBITED.</small>		SIZE	DWG. NO.	REV	
		C	7000DX	OD	
		SCALE: 1:6	DO NOT SCALE DRAWING	SHEET 1 OF 2	



	NAME	DATE	MYTEE PRODUCTS, INC. 858-679-1191
DRAWN	J. Cosh	3/24/11	
CHECKED			TITLE:
PROPRIETARY AND CONFIDENTIAL THE INFORMATION CONTAINED IN THIS DRAWING IS THE SOLE PROPERTY OF MYTEE PRODUCTS, INC. ANY REPRODUCTION IN PART OR AS A WHOLE WITHOUT THE WRITTEN PERMISSION OF MYTEE PRODUCTS, INC. IS PROHIBITED.			Floodhog
SCALE: 1:6	DO NOT SCALE DRAWING	SHEET 2 OF 2	SIZE DWG. NO. REV C 7000DX OD